

**Structure ID: MH-86-9 MH3**

**P1 MH048BA48**

**MH BASE T/n**

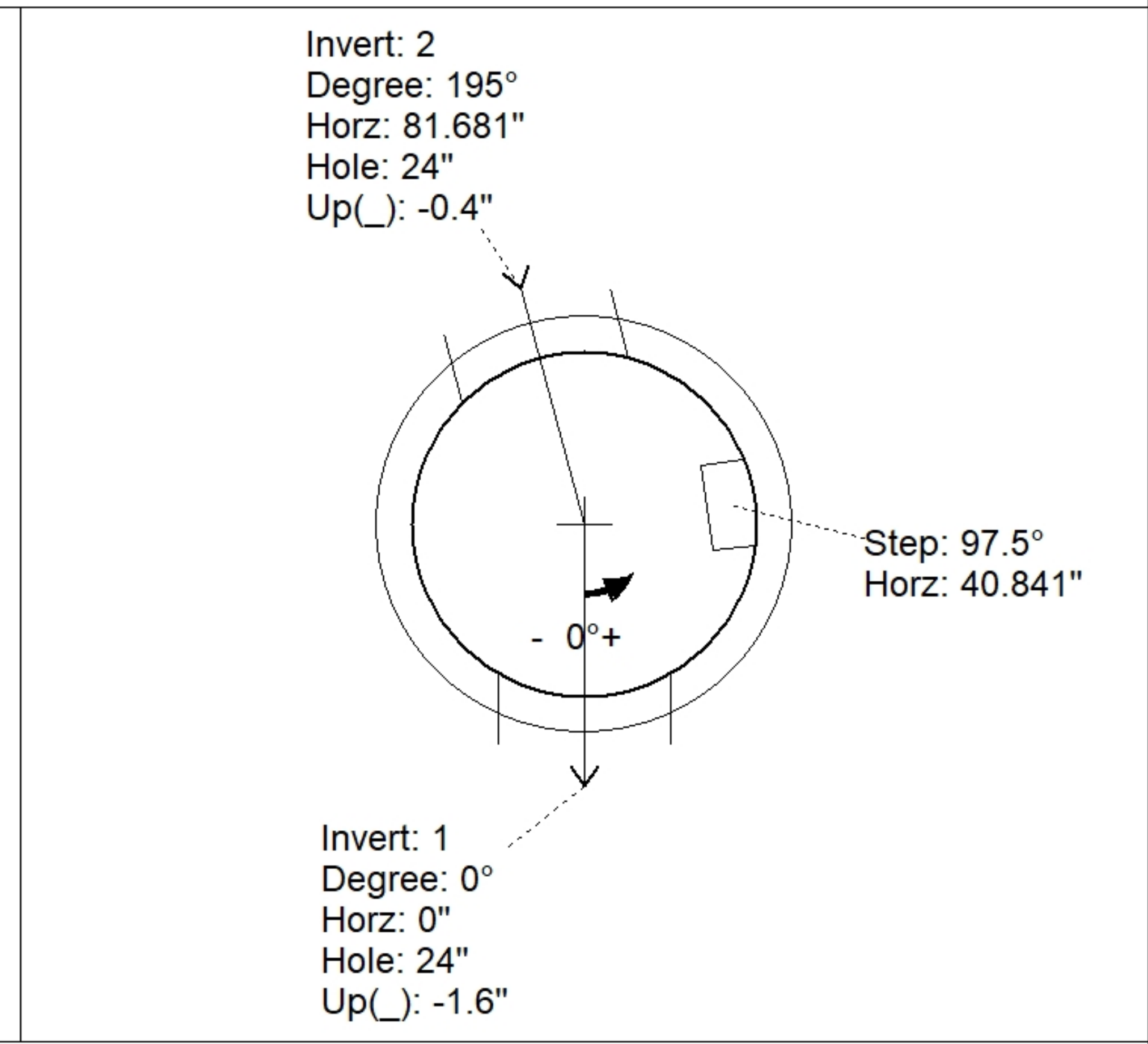
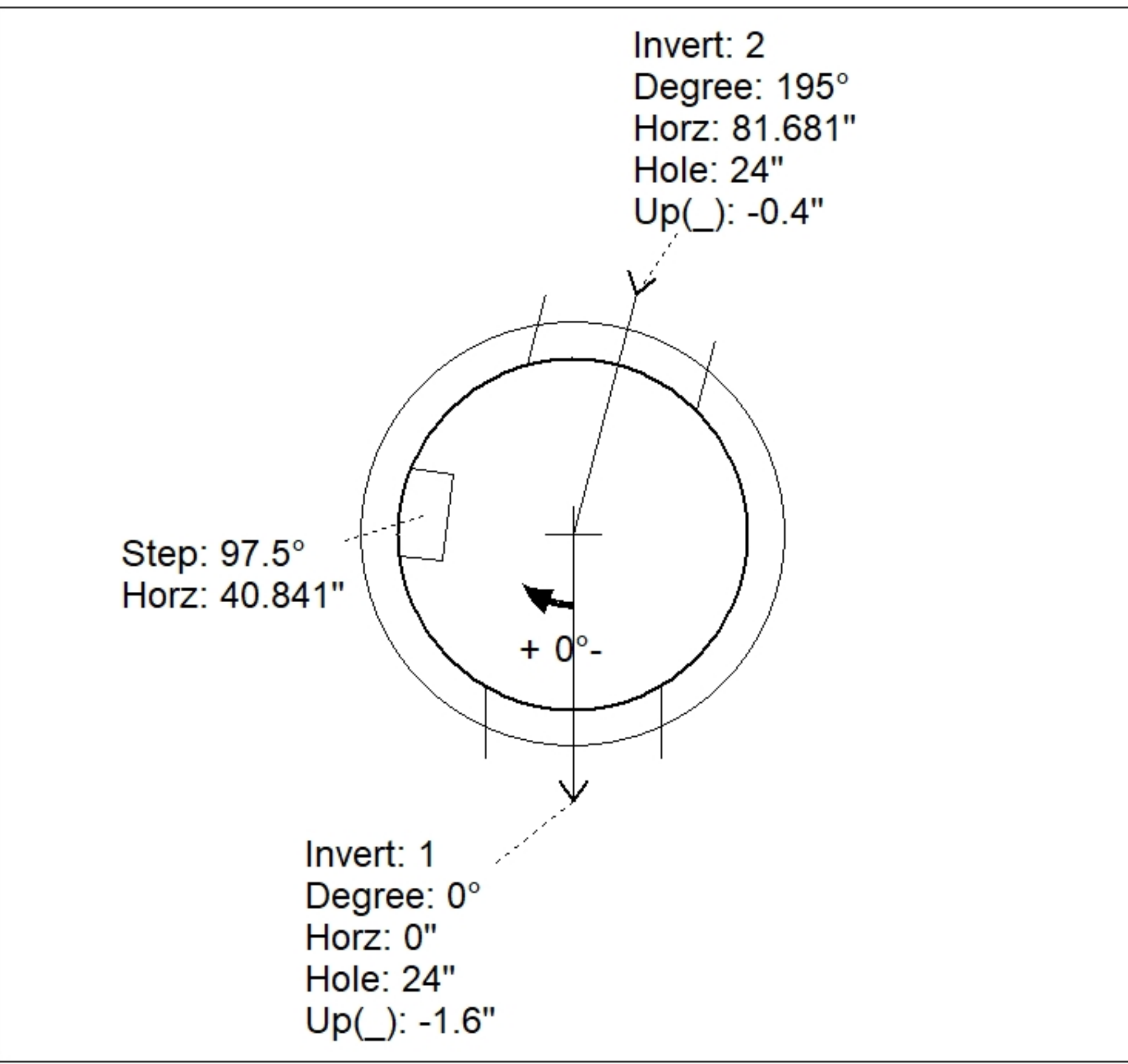
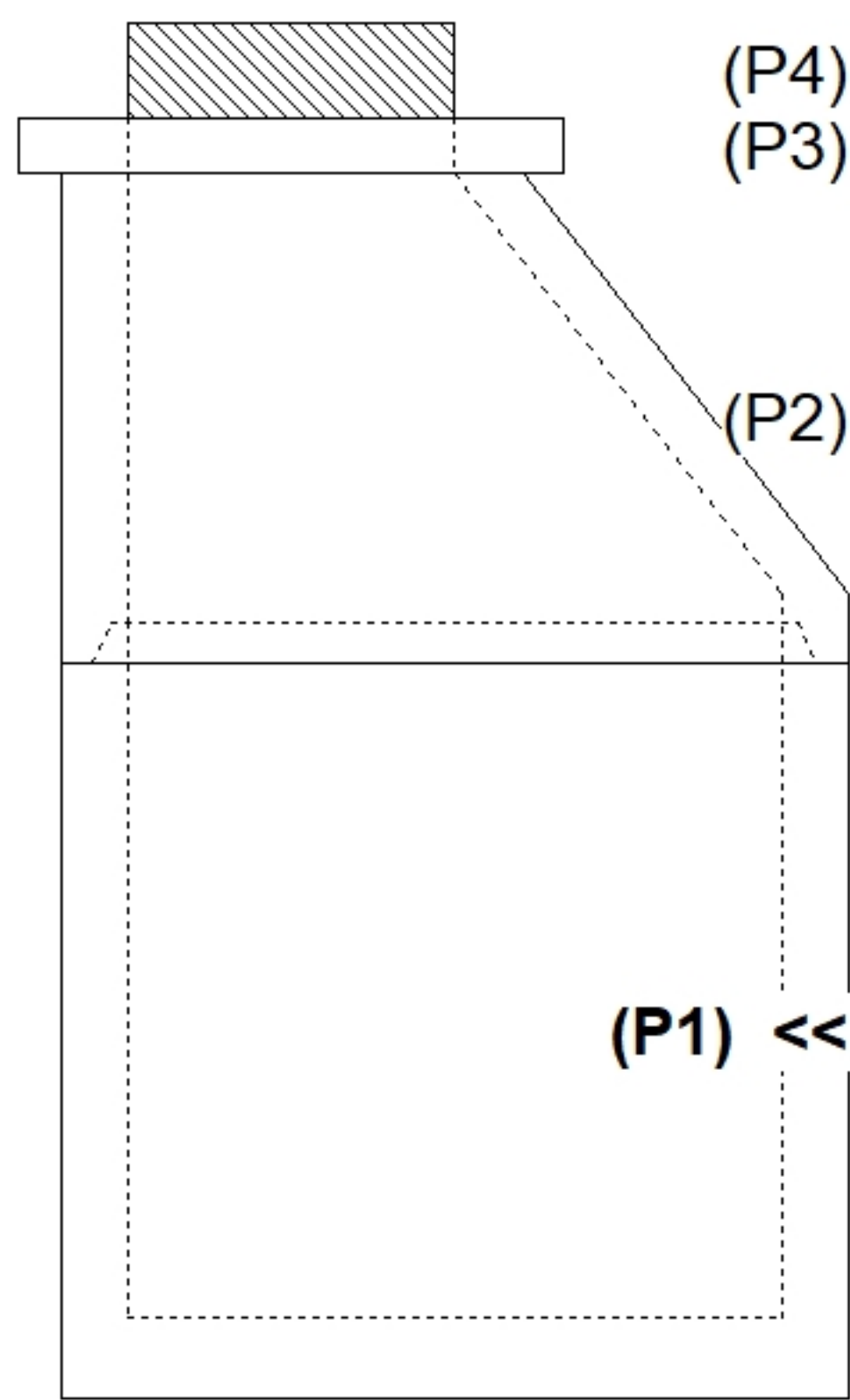
P4) 24" - CASTING HEIGHT - 7" P3) 24" - GRADE RING F/F - 4" P2) 48" - ECC CONE w/ 24" HOLE F/G - 36" P1) 48" - MH BASE T/n - 48" 1) CASTING - HOE MC-375 F/C Storm 1) 48" - Conseal CS-102 1.00" 2) Hole - 24" 7) MH Step ML-10-TDS-NCR - 10"	0 lb 270 lb 3000 lb 4289 lb 271 lb 0 lb 0 lb 0 lb 0 lb	<b>Structure Notes:</b> PLAN LABEL: 86 1. HOE MC-375 F/C STORM PROVIDED BY ICAST. 2. PER ASTM C478 SPECIFICATIONS. 3. CONCRETE = 4,000 PSI AT 28 DAYS. 4. REINFORCING PER ASTM A615 (GRADE 60). - CONE (As .12) - RISER/WALLS (As .12) - FLOOR (As .31) #5 BARS AT 12" C.C.E.W.
Structure Total: 7830 lb		

Rim: 898.23'    Rim to Invert: 8.06'    Slack: 1.72"    Sump: 0"    Step Position: 97.5°

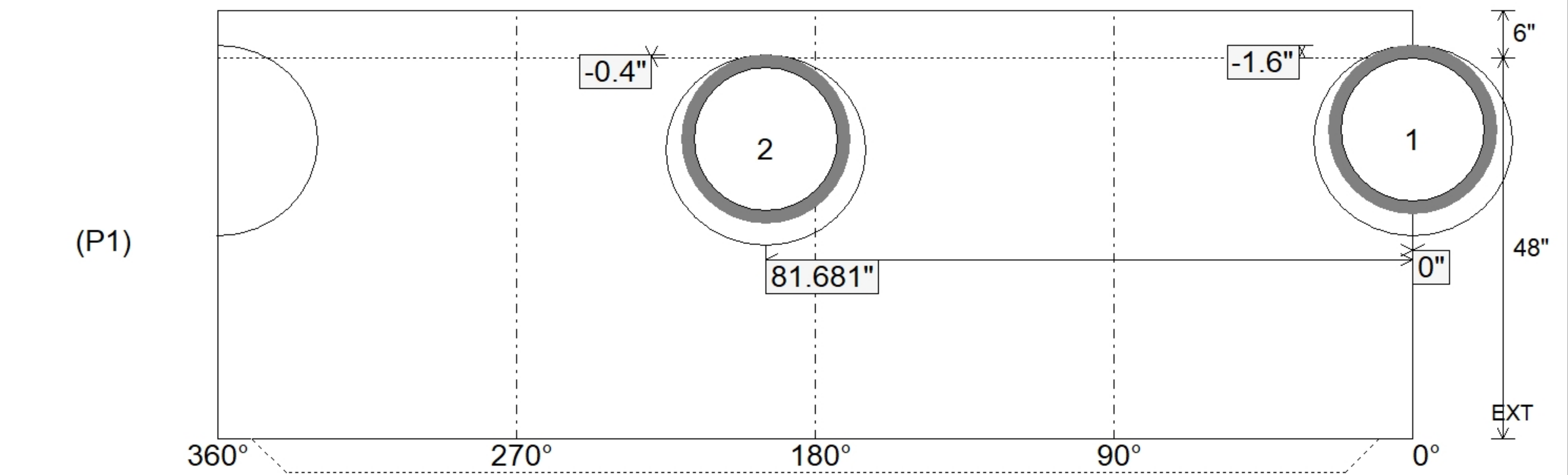
Position	Elev	Angle	Ext. (cw)	Pipe	Pipe OD	Connector	Hole	Horz Size	Up ( )	Offset
Invert 1	890.17'	0°	0"	18" HDPE	21.2"	Hole 24	24"	25.133"	-1.6"	0"
Invert 2	890.27'	195°	98.698"	18" HDPE	21.2"	Hole 24	24"	25.133"	-0.4"	0"
Invert 3										
Invert 4										
Invert 5										
Invert 6										
Invert 7										
Invert 8										

**RIGHT-SIDE UP VIEW (int. dimensions)**

**UPSIDE-DOWN VIEW (int. dimensions)**



**INSIDE WALL DIMENSIONS**



Coating (Int): Coating (Ext):	Seam Up: Tongue Seam Dn: n/a	Wall Thickness: 5" Floor Height: 6"	Height (Int): 48" Height (Ext): 54"	Weight (Net): 4289 lb Volume (Net): 1.1cu.yd
----------------------------------	---------------------------------	--	--	---