

Job Name: 26-1222 Woodvale Subdivision Ph.120-211-300
Job Location: Erlanger, KY
Contractor: Mago Construction Co. LLC

PC: Celina Goff
 TECH: Jared - A
 Plant: 100



Structure ID: MH-83-6 MH3

Spec: Storm
 Type: STM.MH
 Size: 48"

Rim: 898.13'
 Invert: 887.79'
 Rim to Invert: 10.34'

Sump: 1.9"
 Floor (Top): 887.632'
 Floor Height: 6"

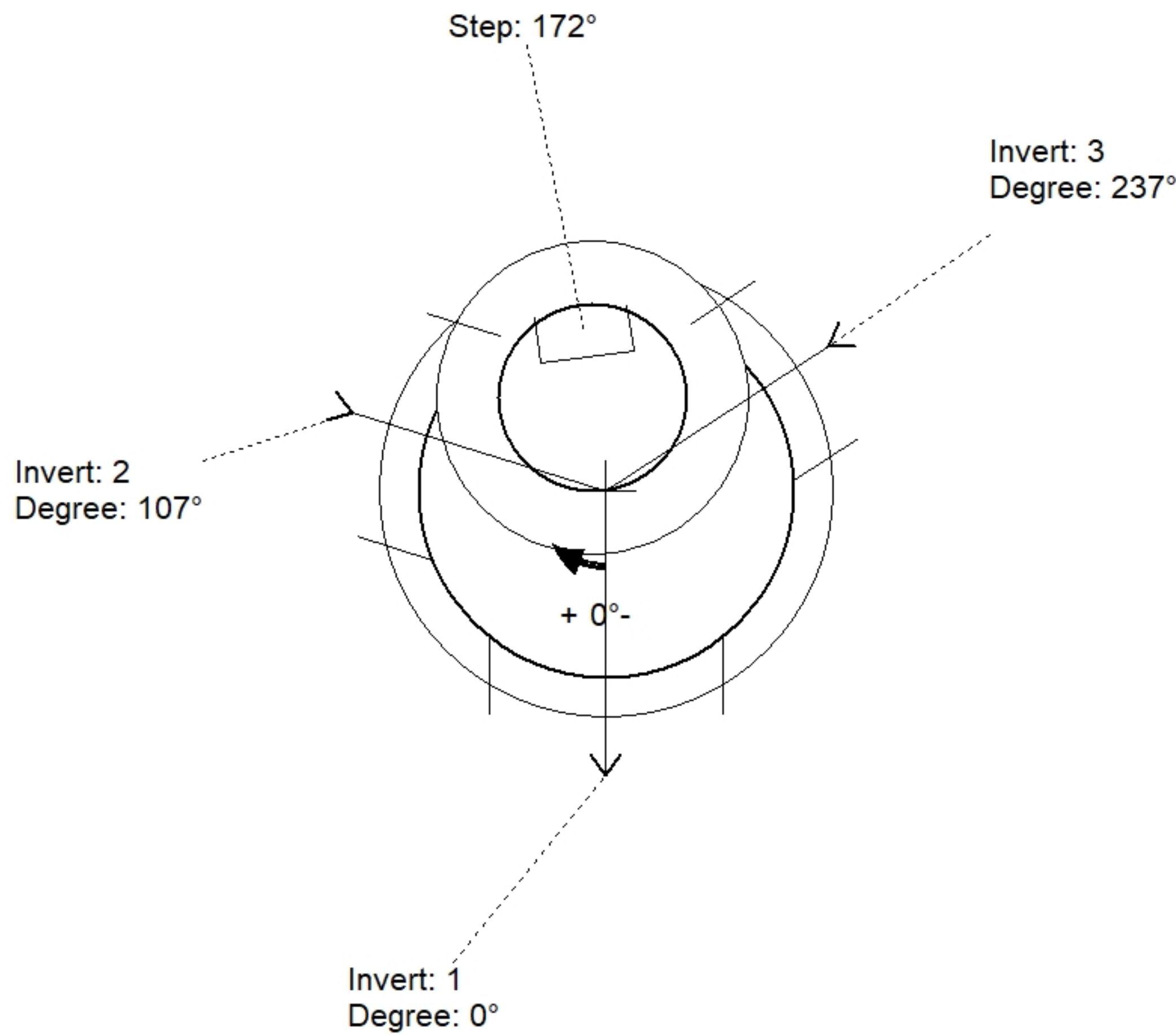
Floor (Bot): 887.132'
 Overall Height: 10.917'
 Slack: 0.98"

Structure Notes:

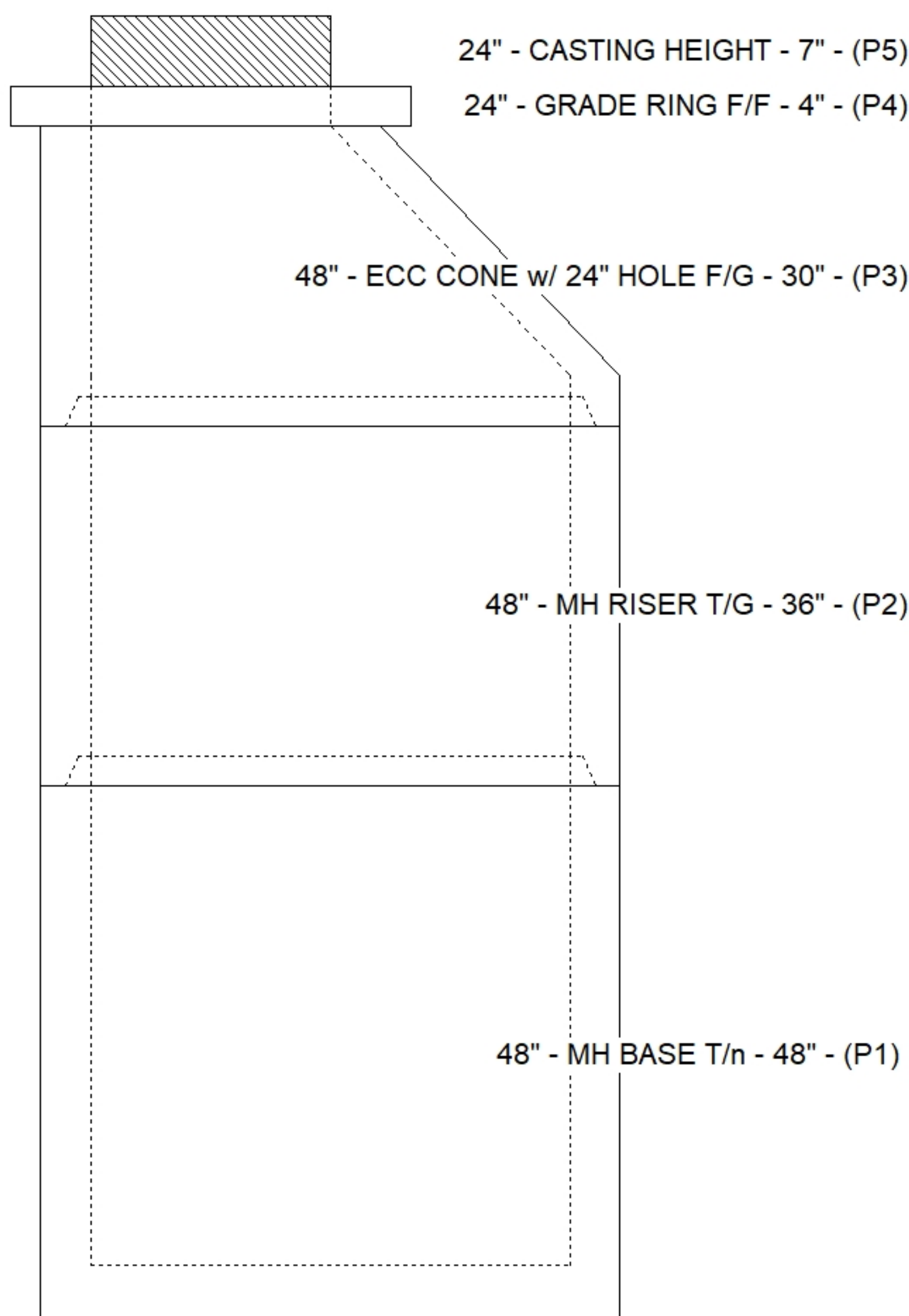
- PLAN LABEL: 83
 1. HOE MC-375 F/C STORM PROVIDED BY ICAST.
 2. PER ASTM C478 SPECIFICATIONS.
 3. CONCRETE = 4,000 PSI AT 28 DAYS.
 4. REINFORCING PER ASTM A615 (GRADE 60).
 - CONE (As .12)
 - RISER/WALLS (As .12)
 - FLOOR (As .31) #5 BARS AT 12" C.C.E.W.

STRUCTURE SUMMARY:

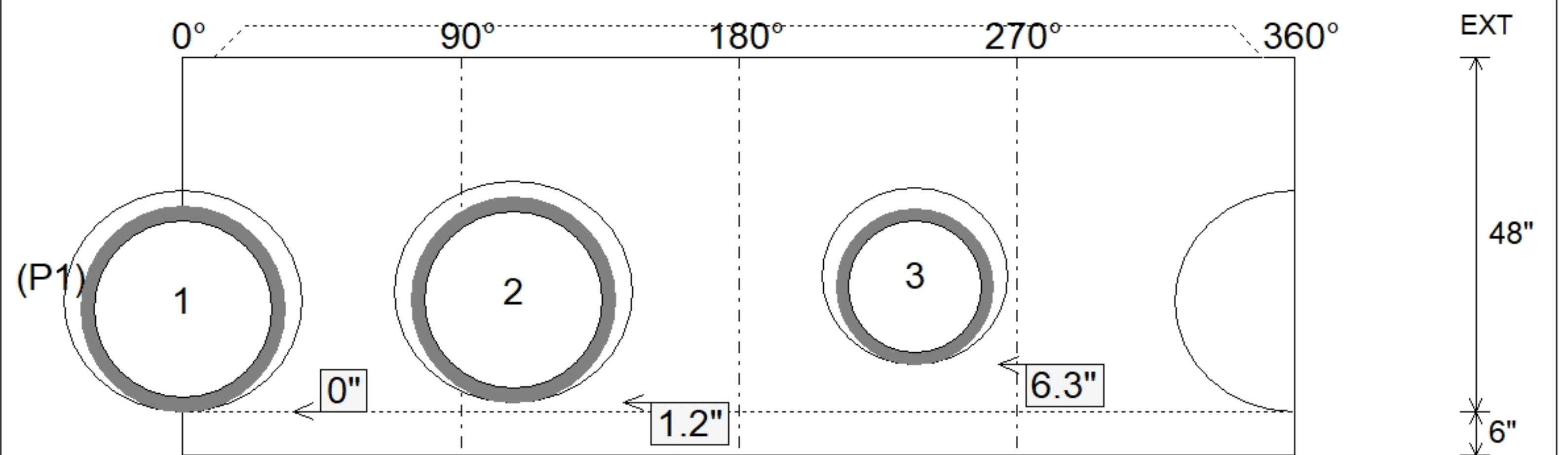
P5) 24" - CASTING HEIGHT - 7"	0 lb
P4) 24" - GRADE RING F/F - 4"	270 lb
P3) 48" - ECC CONE w/ 24" HOLE F/G - 30"	2050 lb
P2) 48" - MH RISER T/G - 36"	2515 lb
P1) 48" - MH BASE T/n - 48"	3854 lb
1) CASTING - HOE MC-375 F/C Storm	271 lb
2) 48" - Conseal CS-102 1.00"	0 lb
2) Hole - 30	0 lb
1) Hole - 24	0 lb
10) MH Step ML-10-TDS-NCR - 10"	0 lb
Structure Total:	8960 lb



Position	Elev	Angle	Pipe	Pipe OD	Hole	Connector	Up (")	Ref
Rim	898.13'							
Reducer								
Invert 1	887.79'	0°	24" HDPE	27.8"	30"	Hole 30	0"	P1
Invert 2	887.89'	107°	24" HDPE	27.8"	30"	Hole 30	1.2"	P1
Invert 3	888.29'	237°	18" HDPE	21.2"	24"	Hole 24	6.3"	P1
Invert 4								
Invert 5								
Invert 6								
Invert 7								
Invert 8								



Default - Interior Dimensions



Submittal Drawing
 3/2/2026 1:33:41 PM

SUBMITTAL
 APPROVED BY: