

Job Name: 26-1222 Woodvale Subdivision Ph.120-211-300	Plant: 100	Tech: Jared - A	
Job Location: Erlanger, KY Contractor: Mago Construction Co. LLC	3/2/2026 1:35:20 PM	PC: Celina Goff	

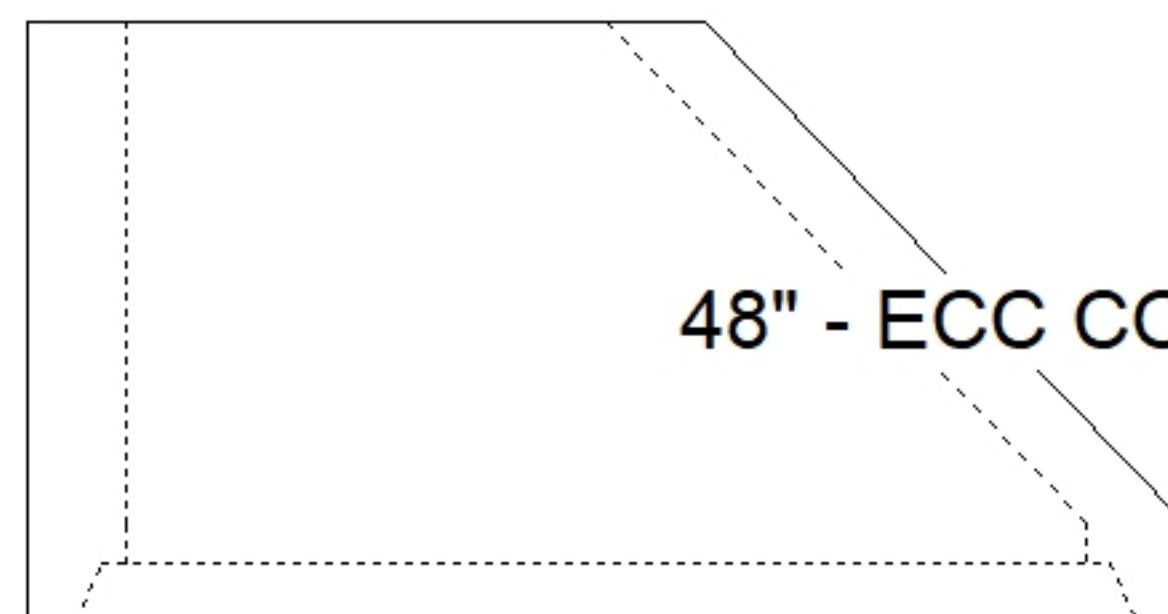
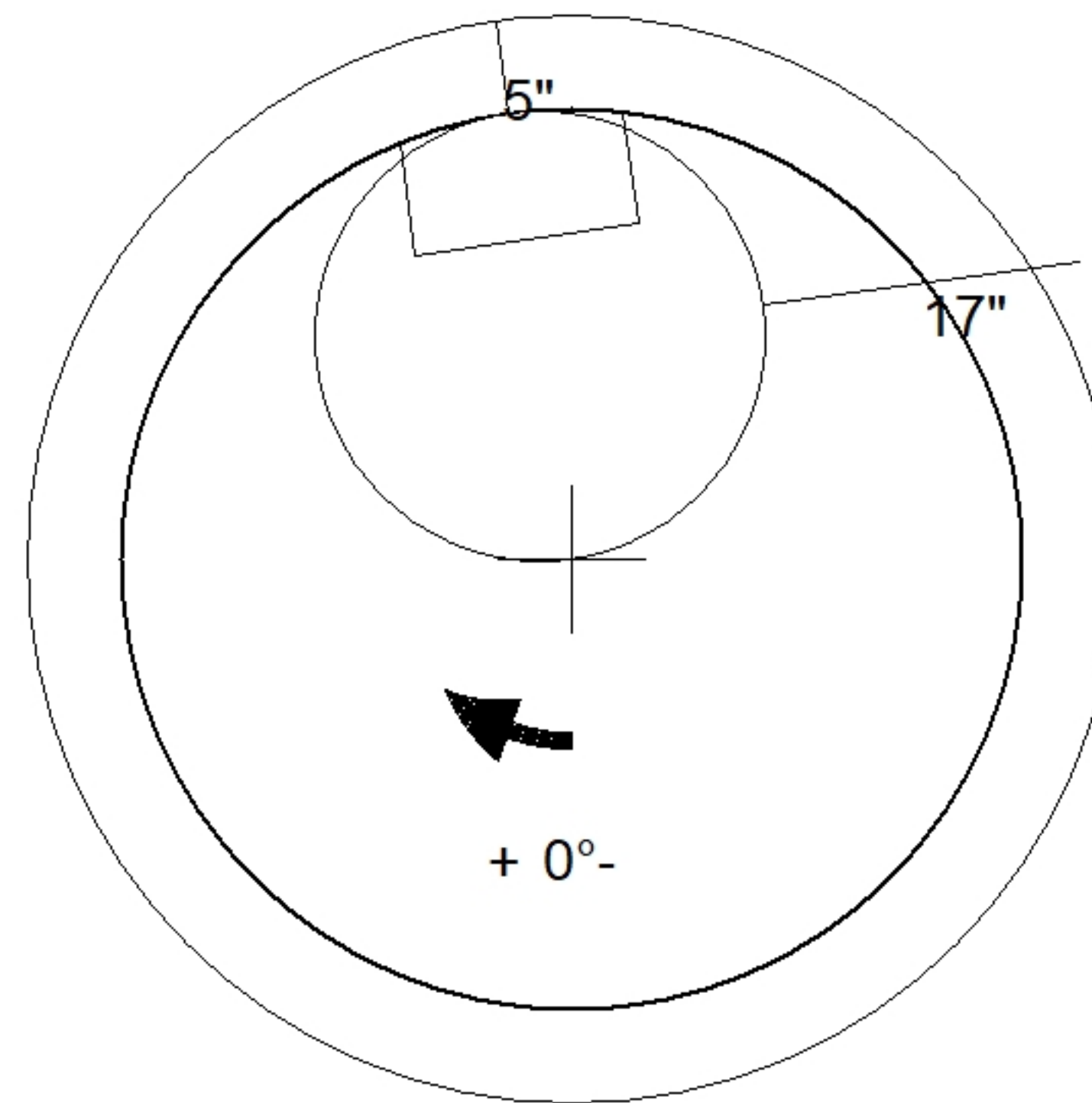
**Structure ID: MH-83-6 MH3**

**P3 MH048CN30**

**ECC CONE w/ 24" HOLE F/G**

P5) 24" - CASTING HEIGHT - 7"	0 lb
P4) 24" - GRADE RING F/F - 4"	270 lb
P3) 48" - ECC CONE w/ 24" HOLE F/G - 30"	2050 lb
P2) 48" - MH RISER T/G - 36"	2515 lb
P1) 48" - MH BASE T/n - 48"	3854 lb
1) CASTING - HOE MC-375 F/C Storm	271 lb
2) 48" - Conseal CS-102 1.00"	0 lb
2) Hole - 30	0 lb
1) Hole - 24	0 lb
10) MH Step ML-10-TDS-NCR - 10"	0 lb
Structure Total:	8960 lb

Structure Notes:  
 PLAN LABEL: 83  
 1. HOE MC-375 F/C STORM PROVIDED BY ICAST.  
 2. PER ASTM C478 SPECIFICATIONS.  
 3. CONCRETE = 4,000 PSI AT 28 DAYS.  
 4. REINFORCING PER ASTM A615 (GRADE 60).  
 - CONE (As .12)  
 - RISER/WALLS (As .12)  
 - FLOOR (As .31) #5 BARS AT 12" C.C.E.W.



48" - ECC CONE w/ 24" HOLE F/G - 30" - (P3)

Coating (Int): Coating (Ext):	Seam Up: Flat Seam Dn: Groove	Wall Thickness: 5"	Height (Ext): 30"	Weight (Net): 2050 lb Volume (Net): 0.41cu.yd
----------------------------------	----------------------------------	--------------------	-------------------	--