

Structure ID: MH-83-6 MH3

P1 MH048BA48

MH BASE T/n

P5) 24" - CASTING HEIGHT - 7" P4) 24" - GRADE RING F/F - 4" P3) 48" - ECC CONE w/ 24" HOLE F/G - 30" P2) 48" - MH RISER T/G - 36" P1) 48" - MH BASE T/n - 48" 1) CASTING - HOE MC-375 F/C Storm 2) 48" - Conseal CS-102 1.00" 2) Hole - 30 1) Hole - 24 10) MH Step ML-10-TDS-NCR - 10"	0 lb 270 lb 2050 lb 2515 lb 3854 lb 271 lb 0 lb 0 lb 0 lb 0 lb ----- Structure Total: 8960 lb
--	--

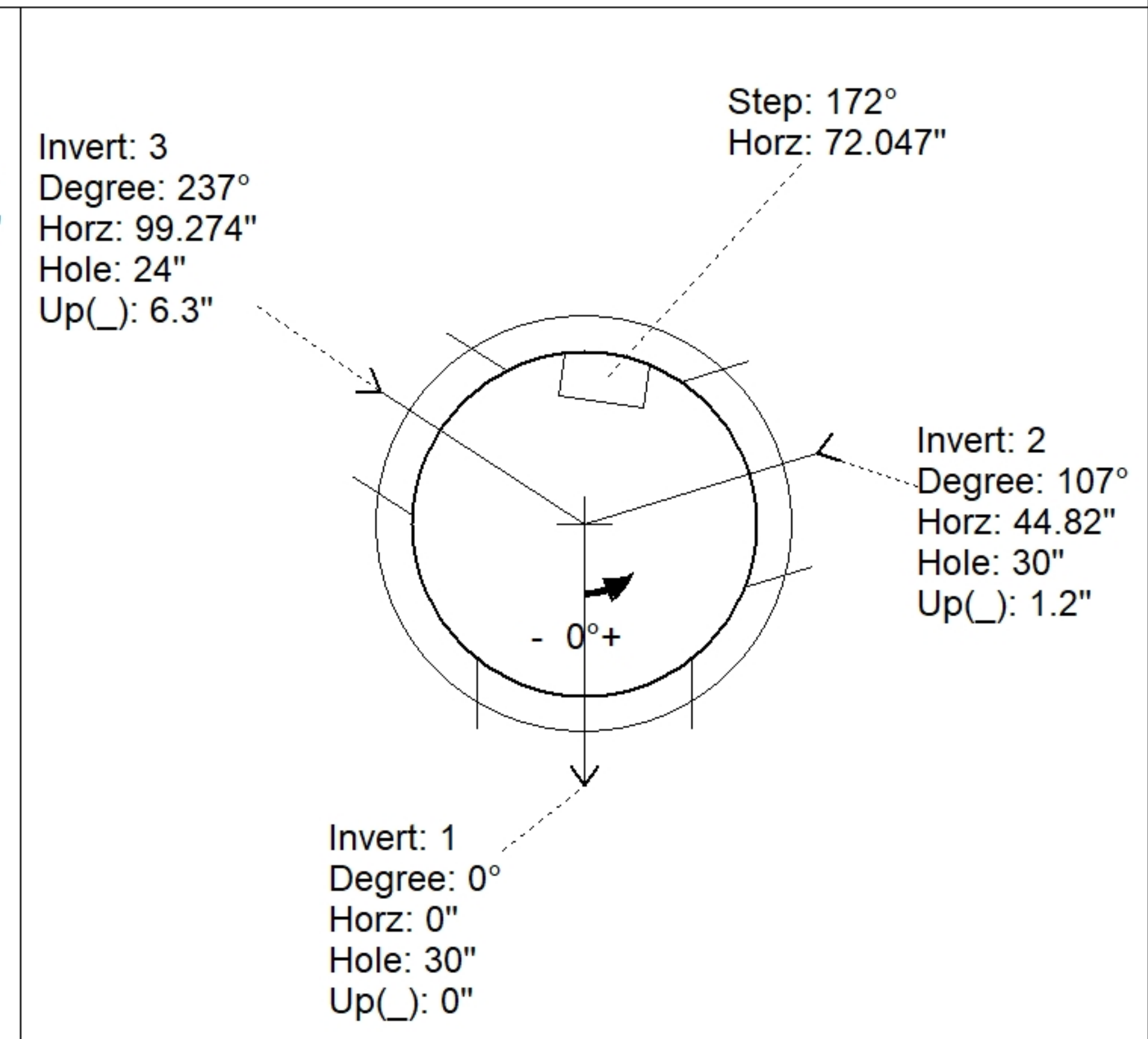
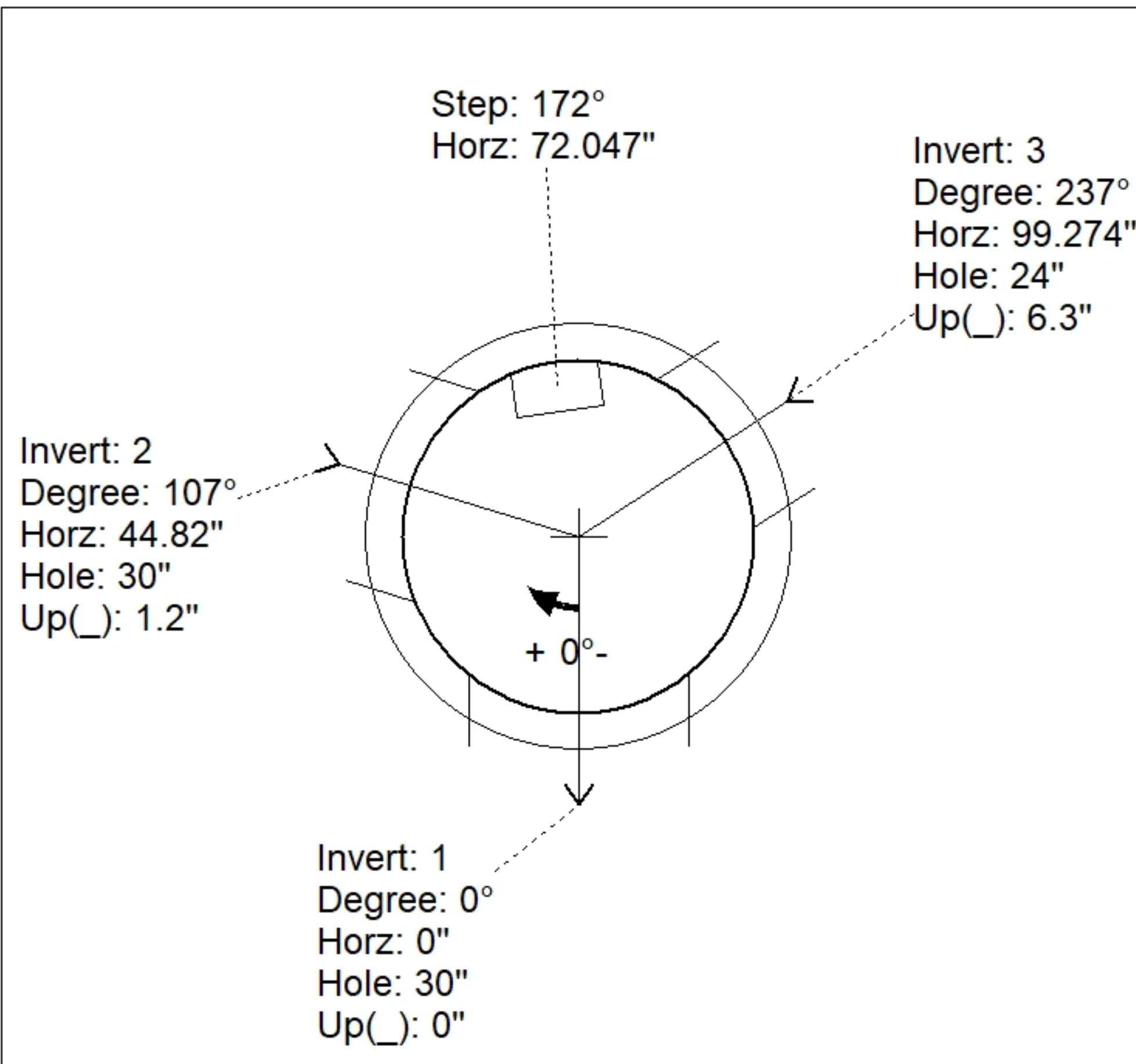
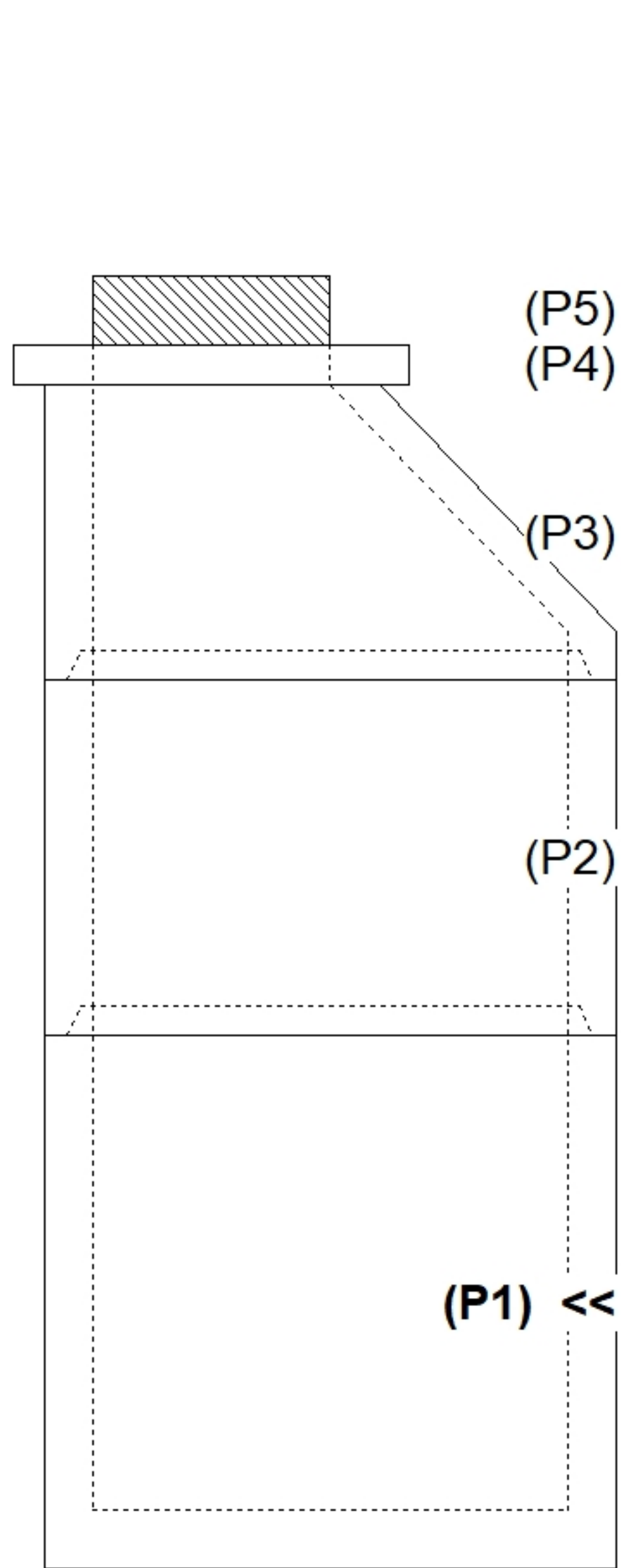
Structure Notes:
 PLAN LABEL: 83
 1. HOE MC-375 F/C STORM PROVIDED BY ICAST.
 2. PER ASTM C478 SPECIFICATIONS.
 3. CONCRETE = 4,000 PSI AT 28 DAYS.
 4. REINFORCING PER ASTM A615 (GRADE 60).
 - CONE (As .12)
 - RISER/WALLS (As .12)
 - FLOOR (As .31) #5 BARS AT 12" C.C.E.W.

Rim: 898.13' Rim to Invert: 10.34' Slack: 0.98" Sump: 1.9" Step Position: 172°

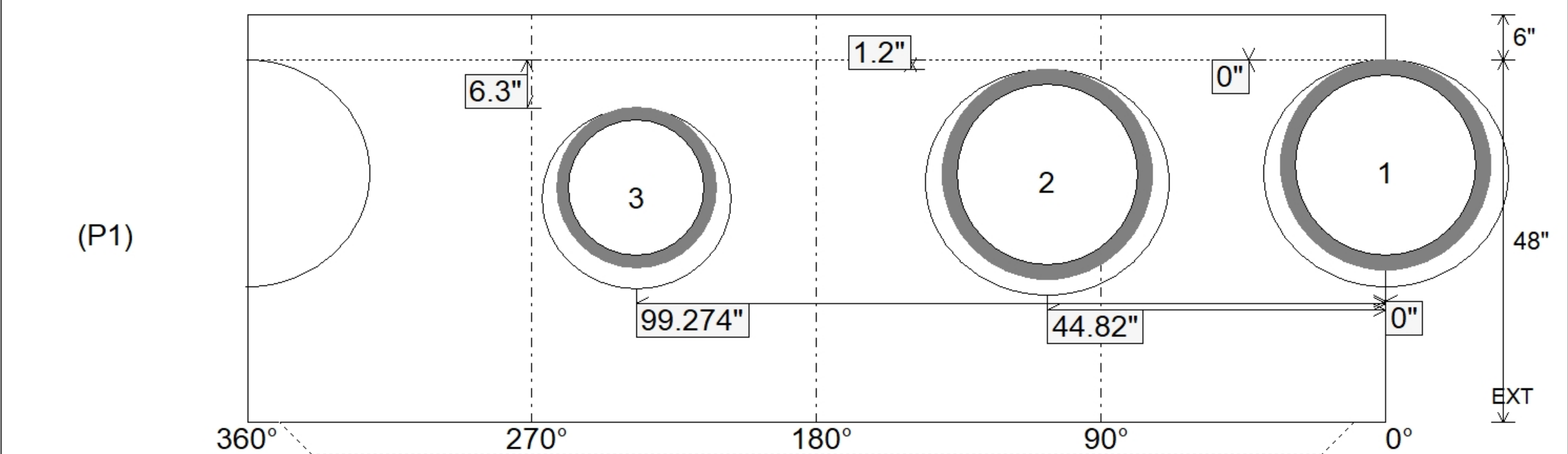
Position	Elev	Angle	Ext. (cw)	Pipe	Pipe OD	Connector	Hole	Horz Size	Up ()	Offset
Invert 1	887.79'	0°	0"	24" HDPE	27.8"	Hole 30	30"	32.406"	0"	0"
Invert 2	887.89'	107°	54.158"	24" HDPE	27.8"	Hole 30	30"	32.406"	1.2"	0"
Invert 3	888.29'	237°	119.956"	18" HDPE	21.2"	Hole 24	24"	25.133"	6.3"	0"
Invert 4										
Invert 5										
Invert 6										
Invert 7										
Invert 8										

RIGHT-SIDE UP VIEW (int. dimensions)

UPSIDE-DOWN VIEW (int. dimensions)



INSIDE WALL DIMENSIONS



Coating (Int):	Seam Up: Tongue	Wall Thickness: 5"	Height (Int): 48"
Coating (Ext):	Seam Dn: n/a	Floor Height: 6"	Height (Ext): 54"
			Weight (Net): 3854 lb
			Volume (Net): 0.98cu.yd