

Job Name: 26-1222 Woodvale Subdivision Ph.120-211-300
Job Location: Erlanger, KY
Contractor: Mago Construction Co. LLC

PC: Celina Goff
 TECH: Jared - A
 Plant: 100

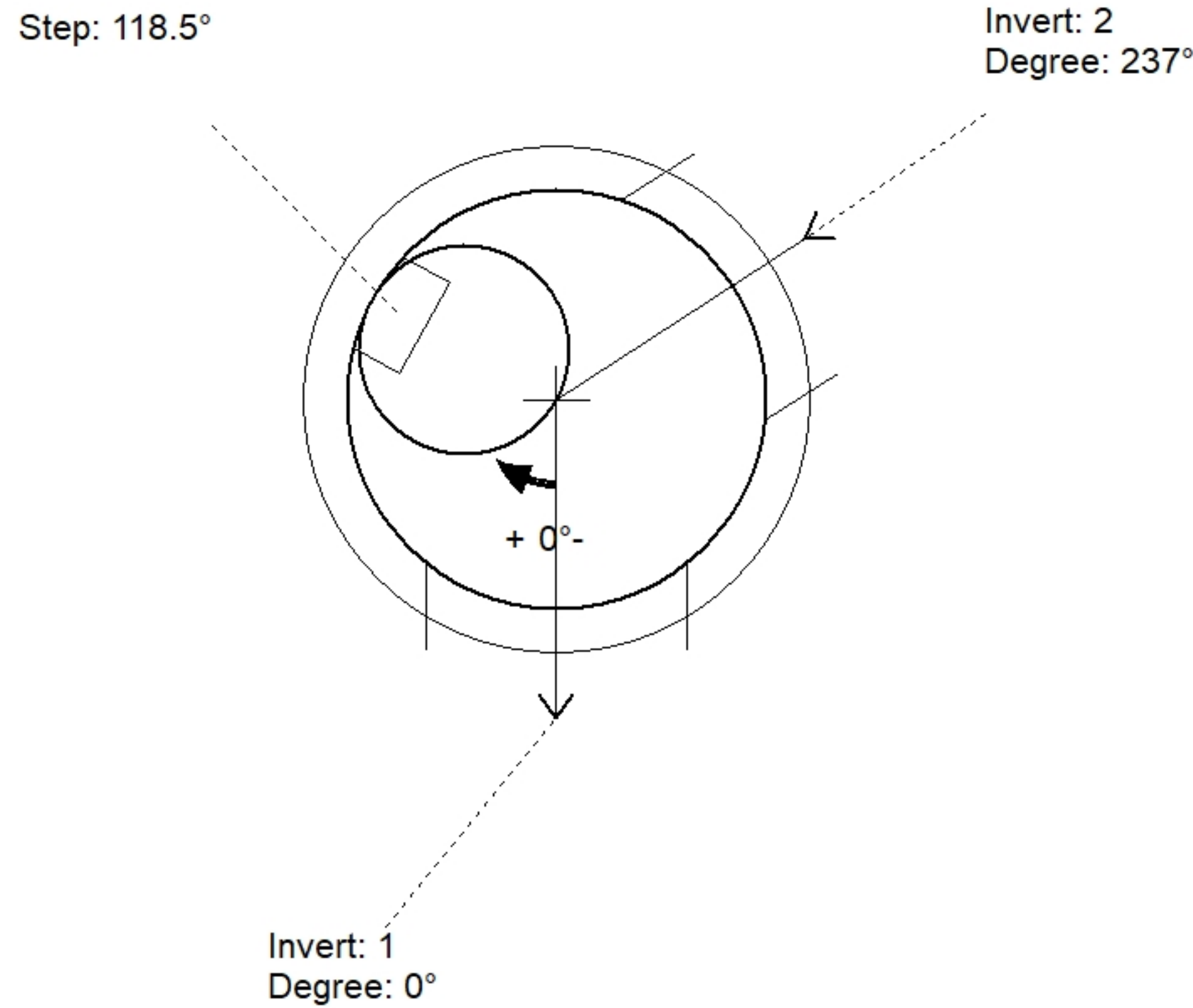


Structure ID: MH-82-5 MH3
 Spec: Storm Rim: 898' Sump: 1.9" Floor (Bot): 885.192'
 Type: STM.MH Invert: 885.85' Floor (Top): 885.692' Overall Height: 12.583'
 Size: 48" Rim to Invert: 12.15' Floor Height: 6" Slack: 2.7"

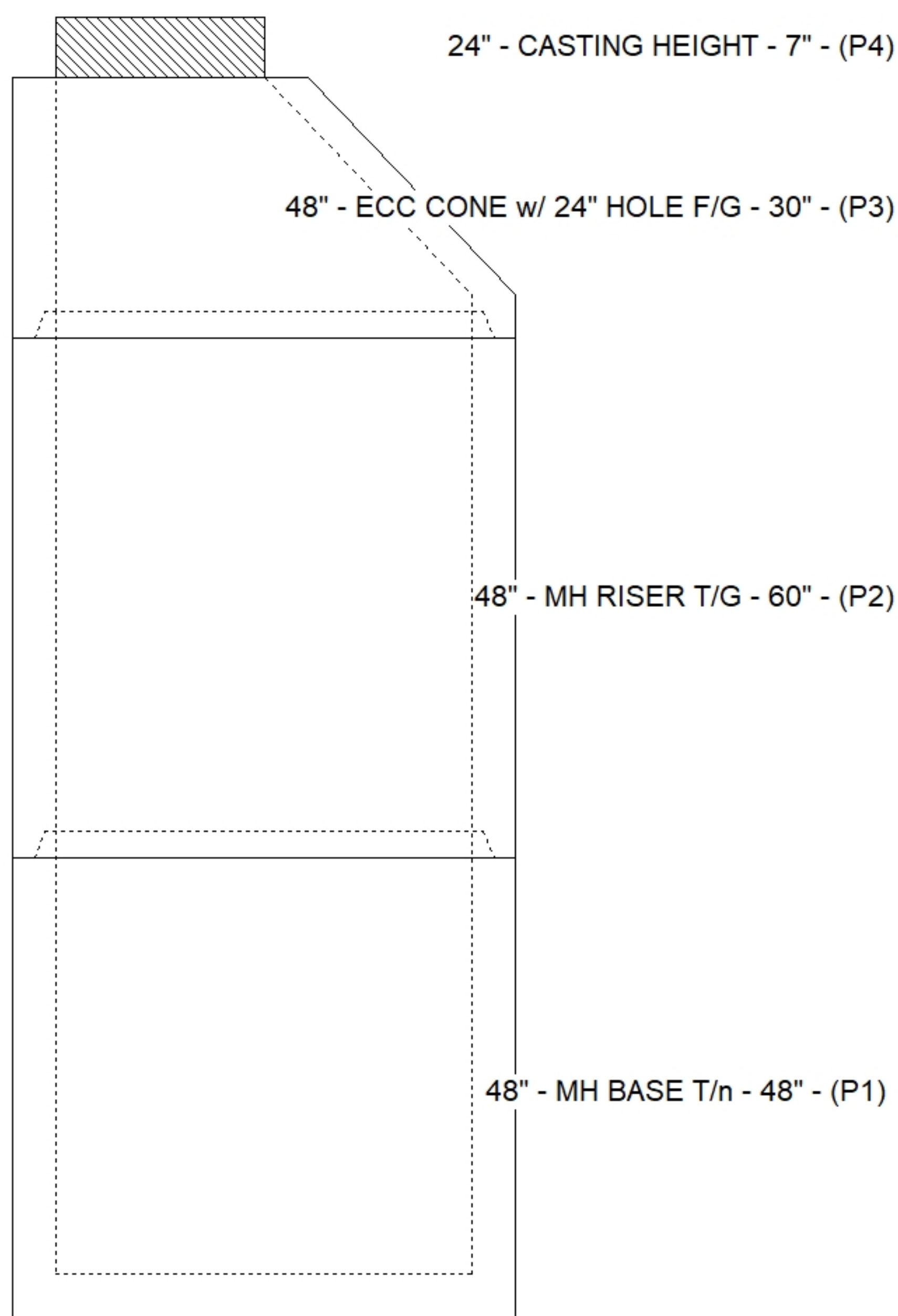
Structure Notes:
 PLAN LABEL: 82
 1. HOE MC-375 F/C STORM PROVIDED BY ICAST.
 2. PER ASTM C478 SPECIFICATIONS.
 3. CONCRETE = 4,000 PSI AT 28 DAYS.
 4. REINFORCING PER ASTM A615 (GRADE 60).
 - CONE (As .12)
 - RISER/WALLS (As .12)
 - FLOOR (As .31) #5 BARS AT 12" C.C.E.W.

STRUCTURE SUMMARY:

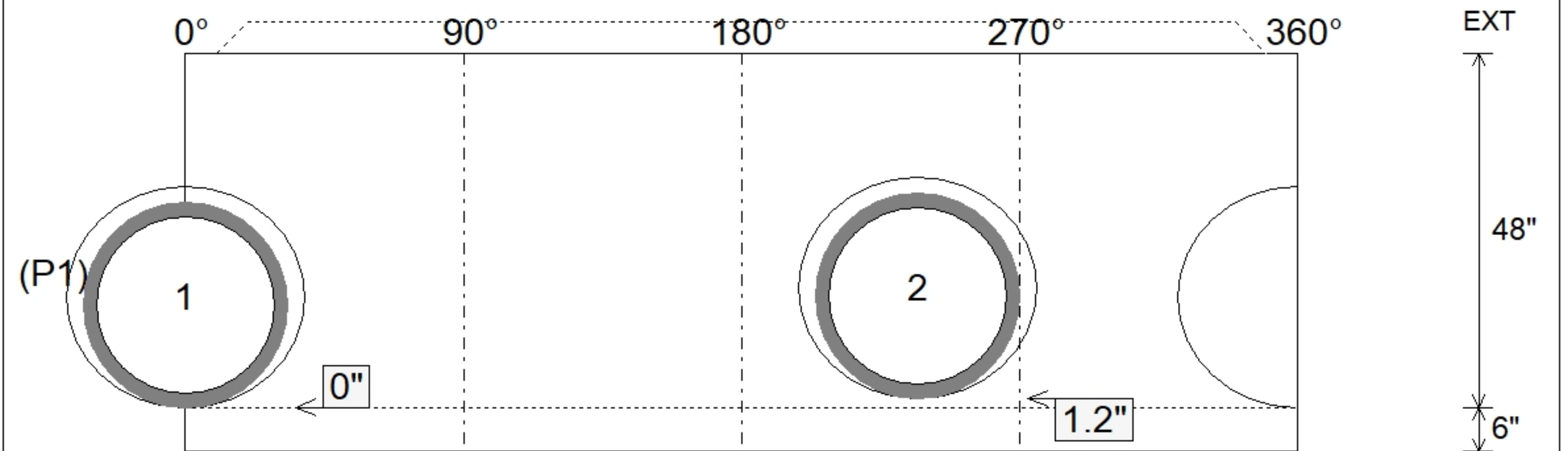
P4) 24" - CASTING HEIGHT - 7"	0 lb
P3) 48" - ECC CONE w/ 24" HOLE F/G - 30"	2050 lb
P2) 48" - MH RISER T/G - 60"	4192 lb
P1) 48" - MH BASE T/n - 48"	4051 lb
1) CASTING - HOE MC-375 F/C Storm	271 lb
2) 48" - Conseal CS-102 1.00"	0 lb
2) Hole - 30	0 lb
12) MH Step ML-10-TDS-NCR - 10"	0 lb
Structure Total:	10564 lb



Position	Elev	Angle	Pipe	Pipe OD	Hole	Connector	Up (")	Ref
Rim	898'							
Reducer								
Invert 1	885.85'	0°	24" HDPE	27.8"	30"	Hole 30	0"	P1
Invert 2	885.95'	237°	24" HDPE	27.8"	30"	Hole 30	1.2"	P1
Invert 3								
Invert 4								
Invert 5								
Invert 6								
Invert 7								
Invert 8								



Default - Interior Dimensions



Submittal Drawing
 3/2/2026 1:33:40 PM

SUBMITTAL
 APPROVED BY: