

Job Name: 26-1222 Woodvale Subdivision Ph.120-211-300	Plant: 100	Tech: Jared - A	
Job Location: Erlanger, KY Contractor: Mago Construction Co. LLC	3/2/2026 1:35:20 PM	PC: Celina Goff	

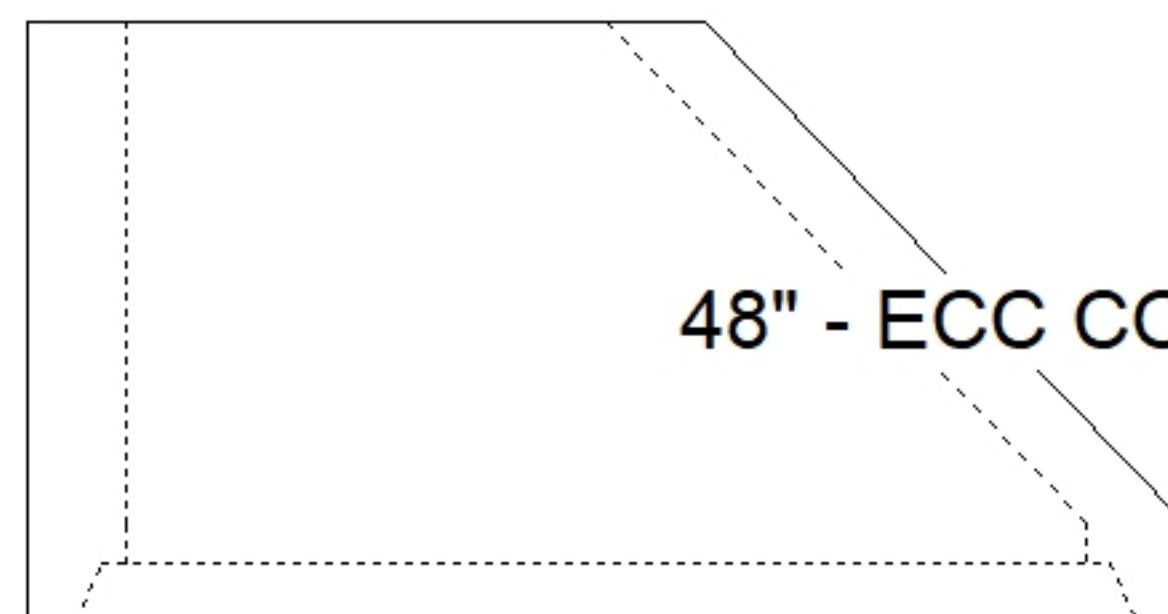
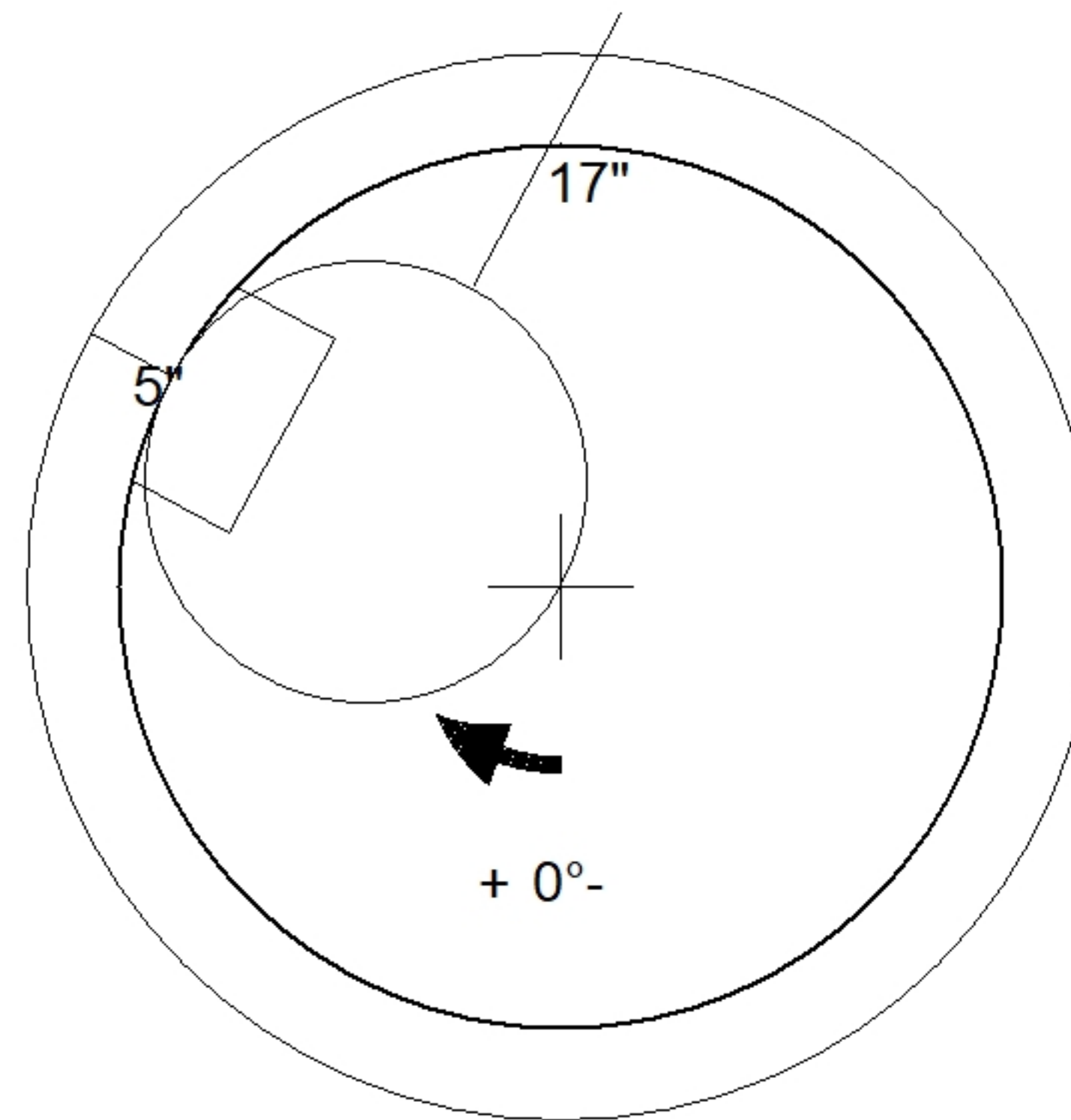
Structure ID: MH-82-5 MH3

P3 MH048CN30

ECC CONE w/ 24" HOLE F/G

P4) 24" - CASTING HEIGHT - 7"	0 lb
P3) 48" - ECC CONE w/ 24" HOLE F/G - 30"	2050 lb
P2) 48" - MH RISER T/G - 60"	4192 lb
P1) 48" - MH BASE T/n - 48"	4051 lb
1) CASTING - HOE MC-375 F/C Storm	271 lb
2) 48" - Conseal CS-102 1.00"	0 lb
2) Hole - 30	0 lb
12) MH Step ML-10-TDS-NCR - 10"	0 lb
Structure Total:	10564 lb

Structure Notes:
 PLAN LABEL: 82
 1. HOE MC-375 F/C STORM PROVIDED BY ICAST.
 2. PER ASTM C478 SPECIFICATIONS.
 3. CONCRETE = 4,000 PSI AT 28 DAYS.
 4. REINFORCING PER ASTM A615 (GRADE 60).
 - CONE (As .12)
 - RISER/WALLS (As .12)
 - FLOOR (As .31) #5 BARS AT 12" C.C.E.W.



48" - ECC CONE w/ 24" HOLE F/G - 30" - (P3)

Coating (Int):	Seam Up: Flat	Wall Thickness: 5"	Height (Ext): 30"	Weight (Net): 2050 lb
Coating (Ext):	Seam Dn: Groove			Volume (Net): 0.41cu.yd