

Job Name: 26-1222 Woodvale Subdivision Ph.120-211-300
Job Location: Erlanger, KY
Contractor: Mago Construction Co. LLC

PC: Celina Goff
 TECH: Jared - A
 Plant: 100



Structure ID: MH-81-4 MH3

Spec: Storm
 Type: STM.MH
 Size: 48"

Rim: 893'
 Invert: 878.27'
 Rim to Invert: 14.73'

Sump: 1.9"
 Floor (Top): 878.112'
 Floor Height: 6"

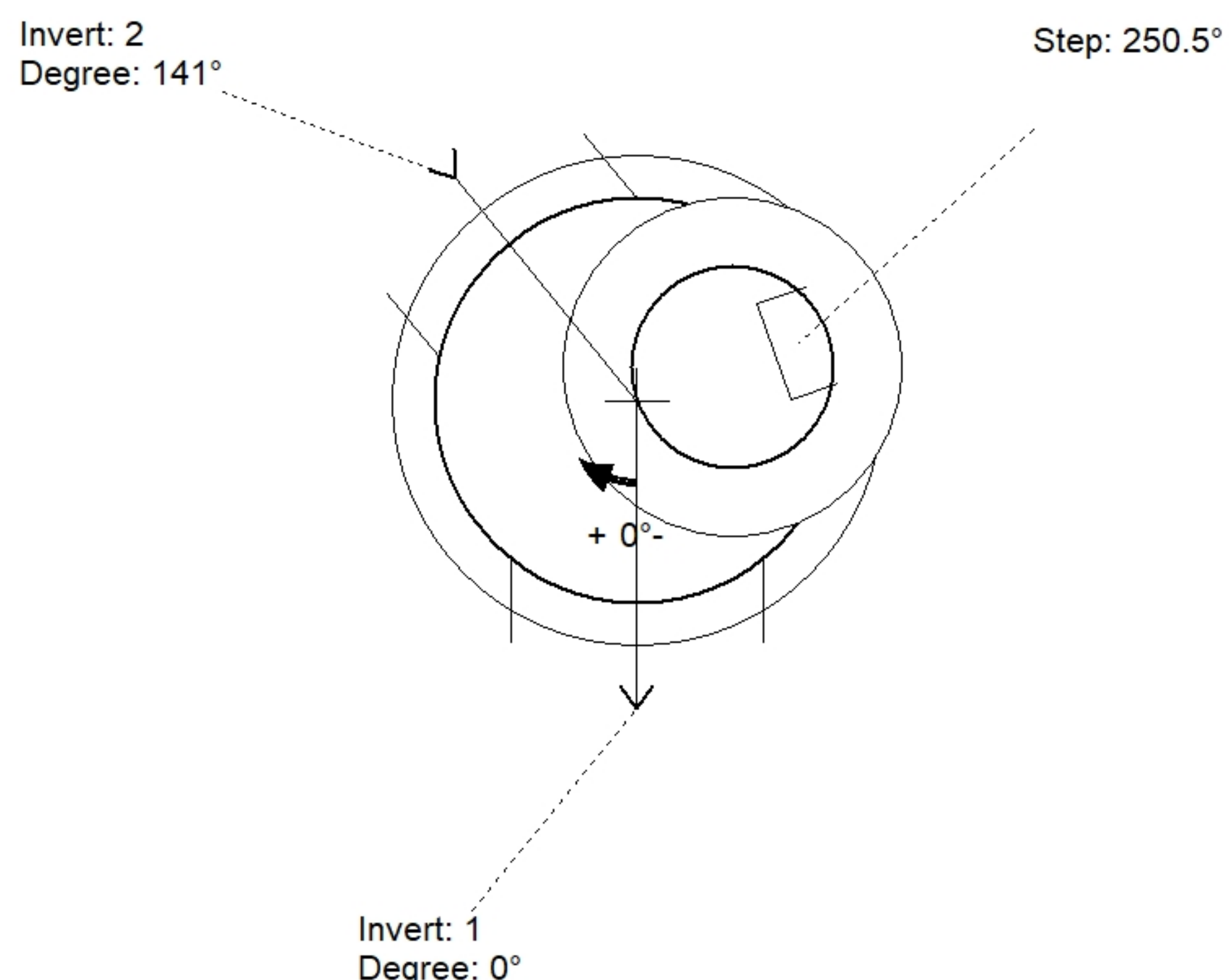
Floor (Bot): 877.612'
 Overall Height: 15.333'
 Slack: 0.66"

Structure Notes:

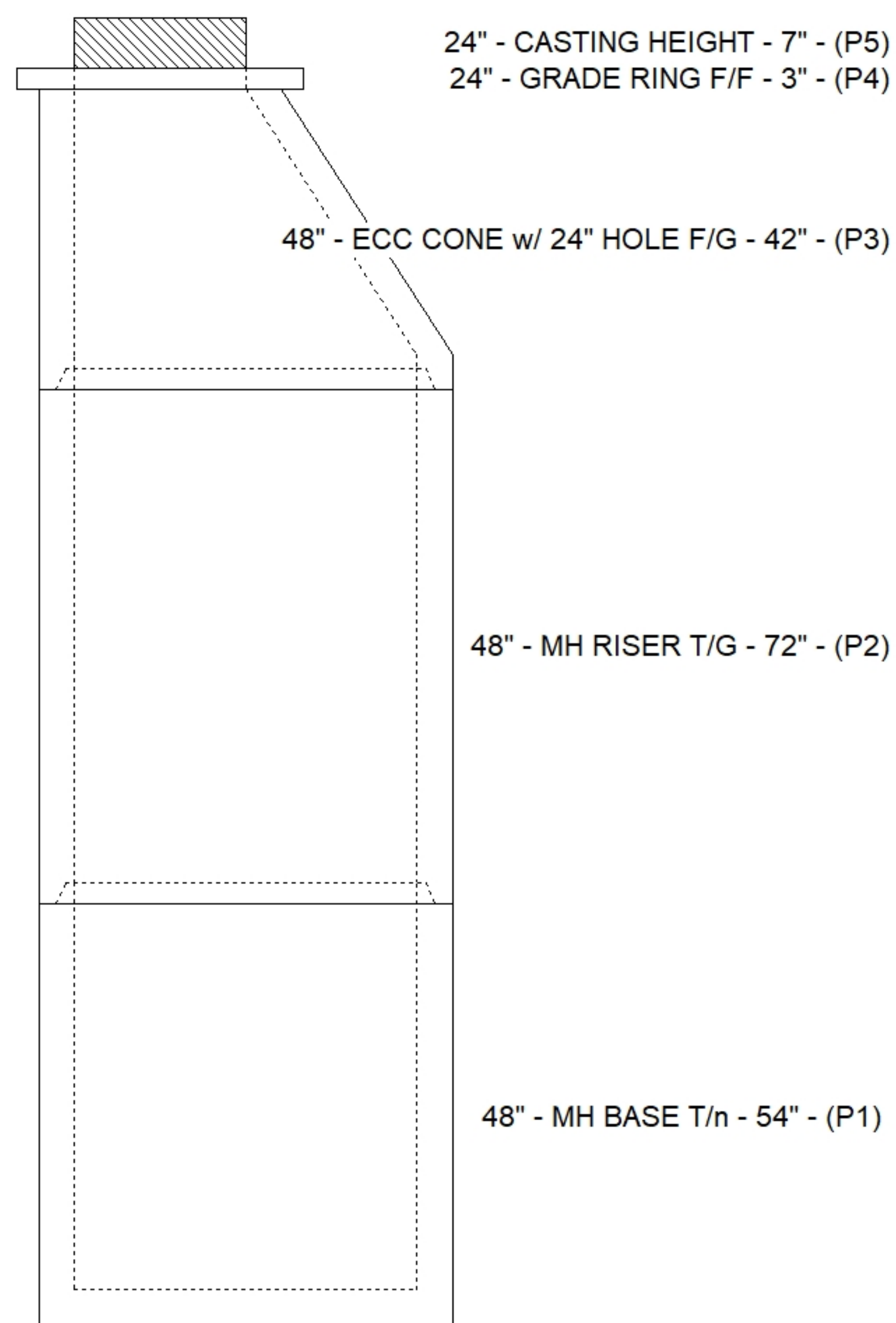
- PLAN LABEL: 81
 1. HOE MC-375 F/C STORM PROVIDED BY ICAST.
 2. PER ASTM C478 SPECIFICATIONS.
 3. CONCRETE = 4,000 PSI AT 28 DAYS.
 4. REINFORCING PER ASTM A615 (GRADE 60).
 - CONE (As .12)
 - RISER/WALLS (As .12)
 - FLOOR (As .31) #5 BARS AT 12" C.C.E.W.

STRUCTURE SUMMARY:

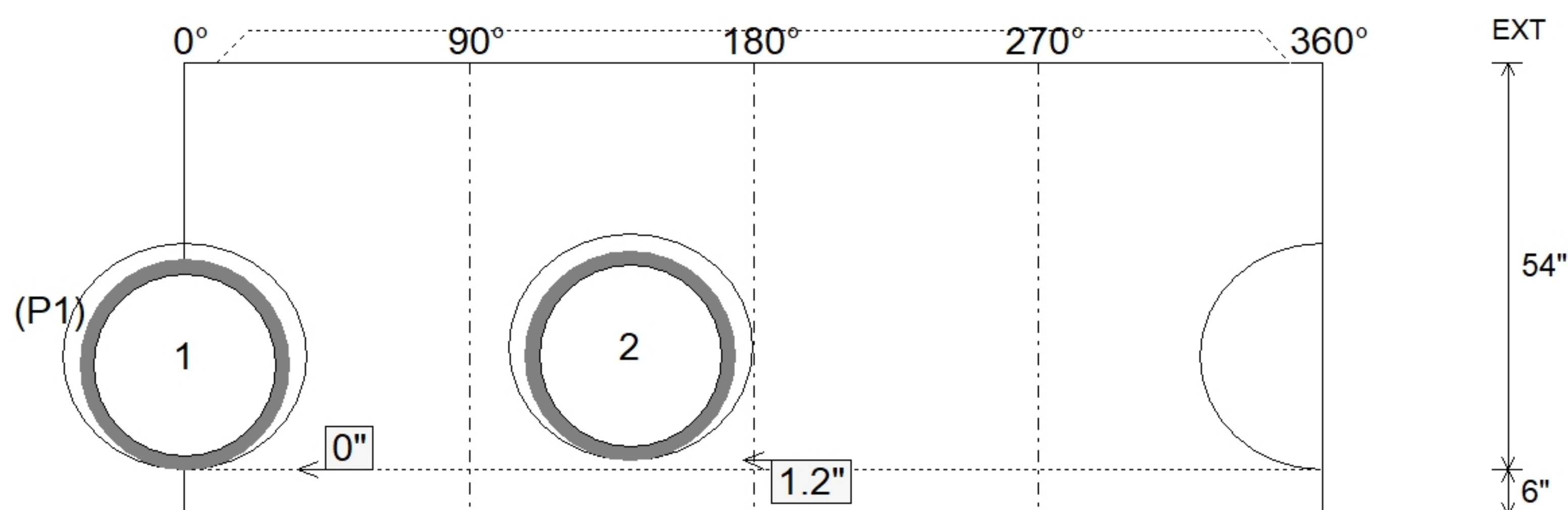
P5) 24" - CASTING HEIGHT - 7"	0 lb
P4) 24" - GRADE RING F/F - 3"	202 lb
P3) 48" - ECC CONE w/ 24" HOLE F/G - 42"	3200 lb
P2) 48" - MH RISER T/G - 72"	5030 lb
P1) 48" - MH BASE T/n - 54"	4471 lb
1) CASTING - HOE MC-375 F/C Storm	271 lb
2) 48" - Conseal CS-102 1.00"	0 lb
2) Hole - 30	0 lb
14) MH Step ML-10-TDS-NCR - 10"	0 lb
Structure Total:	13174 lb



Position	Elev	Angle	Pipe	Pipe OD	Hole	Connector	Up (")	Ref
Rim	893'							
Reducer								
Invert 1	878.27'	0°	24" HDPE	27.8"	30"	Hole 30	0"	P1
Invert 2	878.37'	141°	24" HDPE	27.8"	30"	Hole 30	1.2"	P1
Invert 3								
Invert 4								
Invert 5								
Invert 6								
Invert 7								
Invert 8								



Default - Interior Dimensions



Submittal Drawing
 3/2/2026 1:33:40 PM

SUBMITTAL
 APPROVED BY: