

Job Name: 26-1222 Woodvale Subdivision Ph.120-211-300
 Job Location: Erlanger, KY
 Contractor: Mago Construction Co. LLC

Plant: 100
 2/26/2026 9:01:21 AM

Tech: Jared - A
 PC: Celina Goff



Structure ID: MH-81-4 MH3

P4 GR3

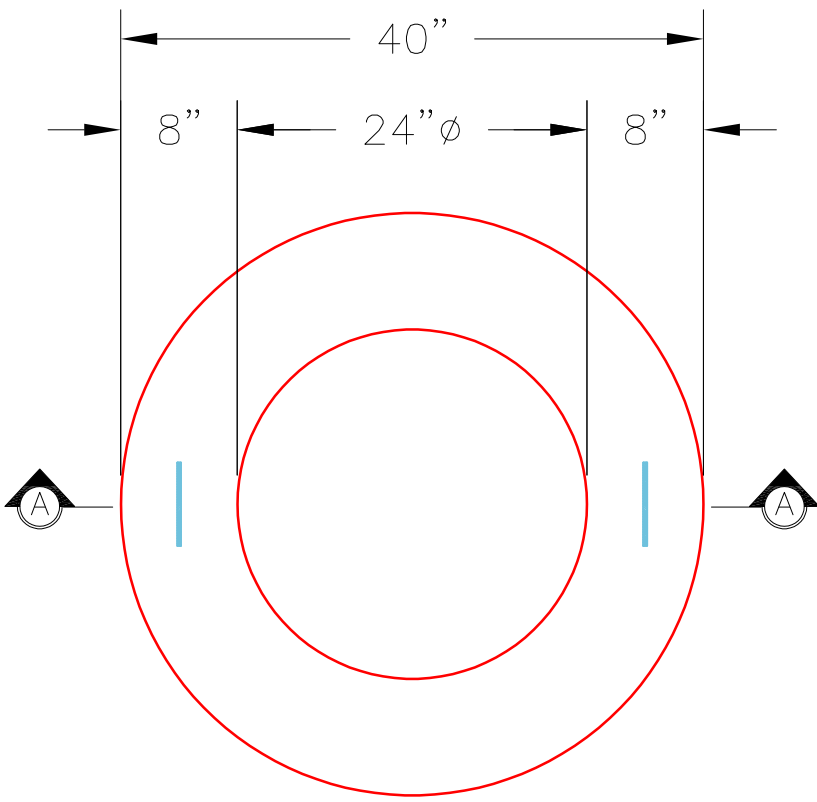
GRADE RING F/F

- P5) 24" - CASTING HEIGHT - 7"
- P4) 24" - GRADE RING F/F - 3"
- P3) 48" - ECC CONE w/ 24" HOLE F/G - 42"
- P2) 48" - MH RISER T/G - 72"
- P1) 48" - MH BASE T/h - 54"
- 1) CASTING - HOE MC-375 F/C Storm
- 2) 48" - Conseal CS-102 1.00"
- 2) Hole - 30
- 14) MH Step ML-10-TDS-NCR - 10"

0 lb
 202 lb
 3200 lb
 5030 lb
 4471 lb
 271 lb
 0 lb
 0 lb
 0 lb

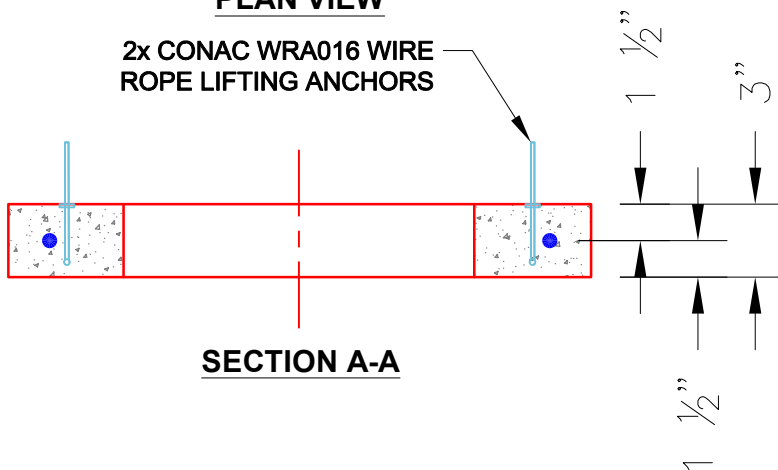
 Structure Total: 13174 lb

- Structure Notes:**
 PLAN LABEL: 81
1. HOE MC-375 F/C STORM PROVIDED BY ICAST.
 2. PER ASTM C478 SPECIFICATIONS.
 3. CONCRETE = 4,000 PSI AT 28 DAYS.
 4. REINFORCING PER ASTM A615 (GRADE 60).
 - CONE (As .12)
 - RISER/WALLS (As .12)
 - FLOOR (As .31) #5 BARS AT 12" C.C.E.W.



PLAN VIEW

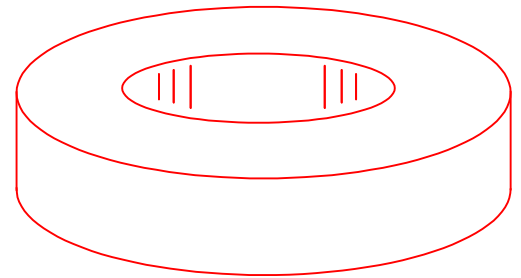
2x CONAC WRA016 WIRE ROPE LIFTING ANCHORS



SECTION A-A

NOTES:

1. GRADE RINGS MEET OR EXCEED THE FOLLOWING SPECIFICATIONS:
 -CONCRETE: 4,000 PSI @ 28 DAYS.
 -REINFORCING: (1) #3 HOOP CENTERED (GRADE 60)
2. WEIGHT: 3" 202 LBS.



ISOMETRIC VIEW

Coating (Int):
 Coating (Ext):

Seam Up: Flat
 Seam Dn: Flat

Wall Thickness: 8"

Height (Ext): 3"

Weight (Net): 202 lb
 Volume (Net): 0.05cu.yd