

**Structure ID: MH-81-4 MH3**

**P1 MH048BA54 MH BASE T/n**

P5) 24" - CASTING HEIGHT - 7" P4) 24" - GRADE RING F/F - 3" P3) 48" - ECC CONE w/ 24" HOLE F/G - 42" P2) 48" - MH RISER T/G - 72" P1) 48" - MH BASE T/n - 54" 1) CASTING - HOE MC-375 F/C Storm 2) 48" - Conseal CS-102 1.00" 2) Hole - 30 14) MH Step ML-10-TDS-NCR - 10"	0 lb 202 lb 3200 lb 5030 lb 4471 lb 271 lb 0 lb 0 lb 0 lb ----- 13174 lb	<b>Structure Notes:</b> PLAN LABEL: 81 1. HOE MC-375 F/C STORM PROVIDED BY ICAST. 2. PER ASTM C478 SPECIFICATIONS. 3. CONCRETE = 4,000 PSI AT 28 DAYS. 4. REINFORCING PER ASTM A615 (GRADE 60). - CONE (As .12) - RISER/WALLS (As .12) - FLOOR (As .31) #5 BARS AT 12" C.C.E.W.
--	--	---

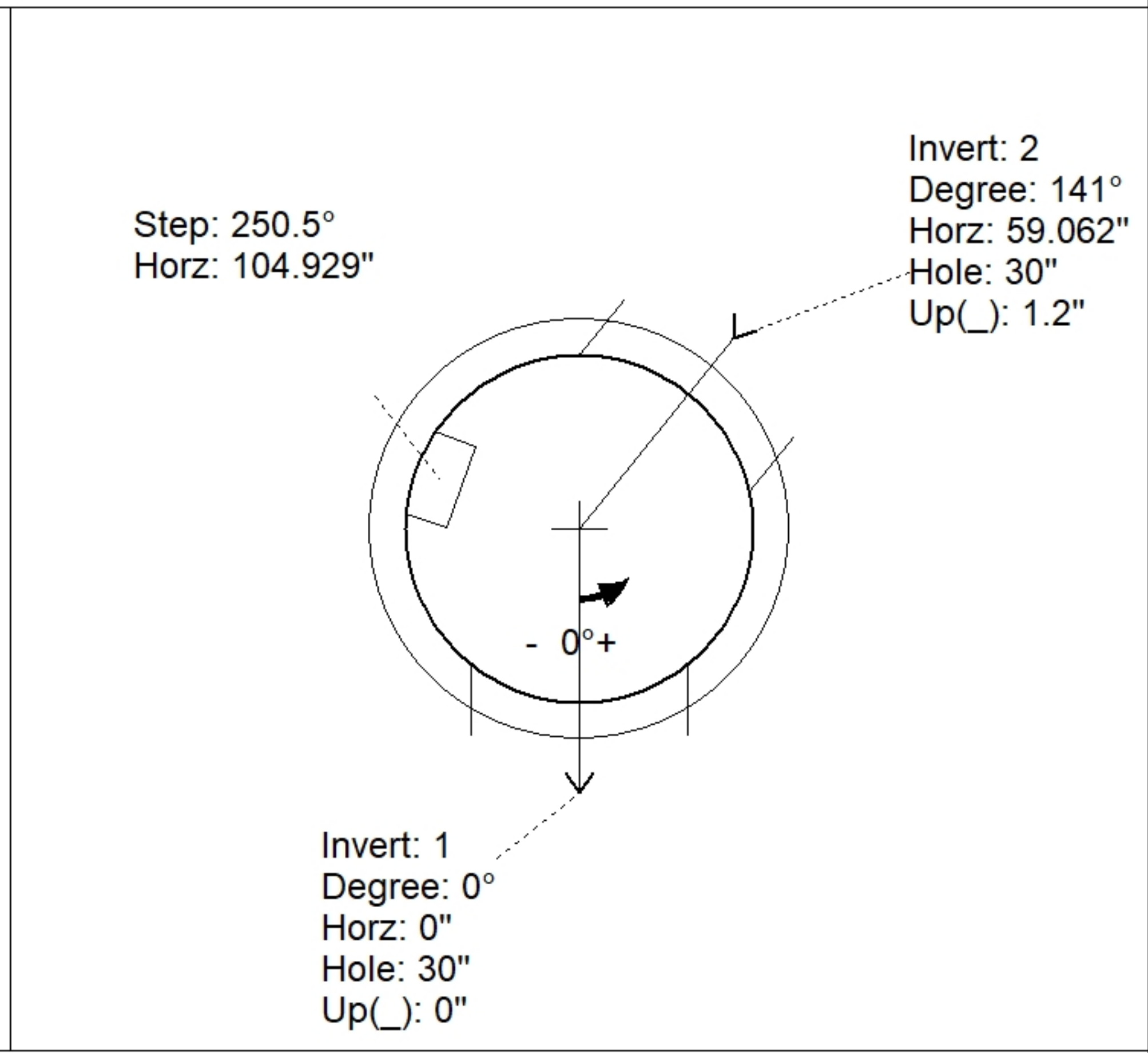
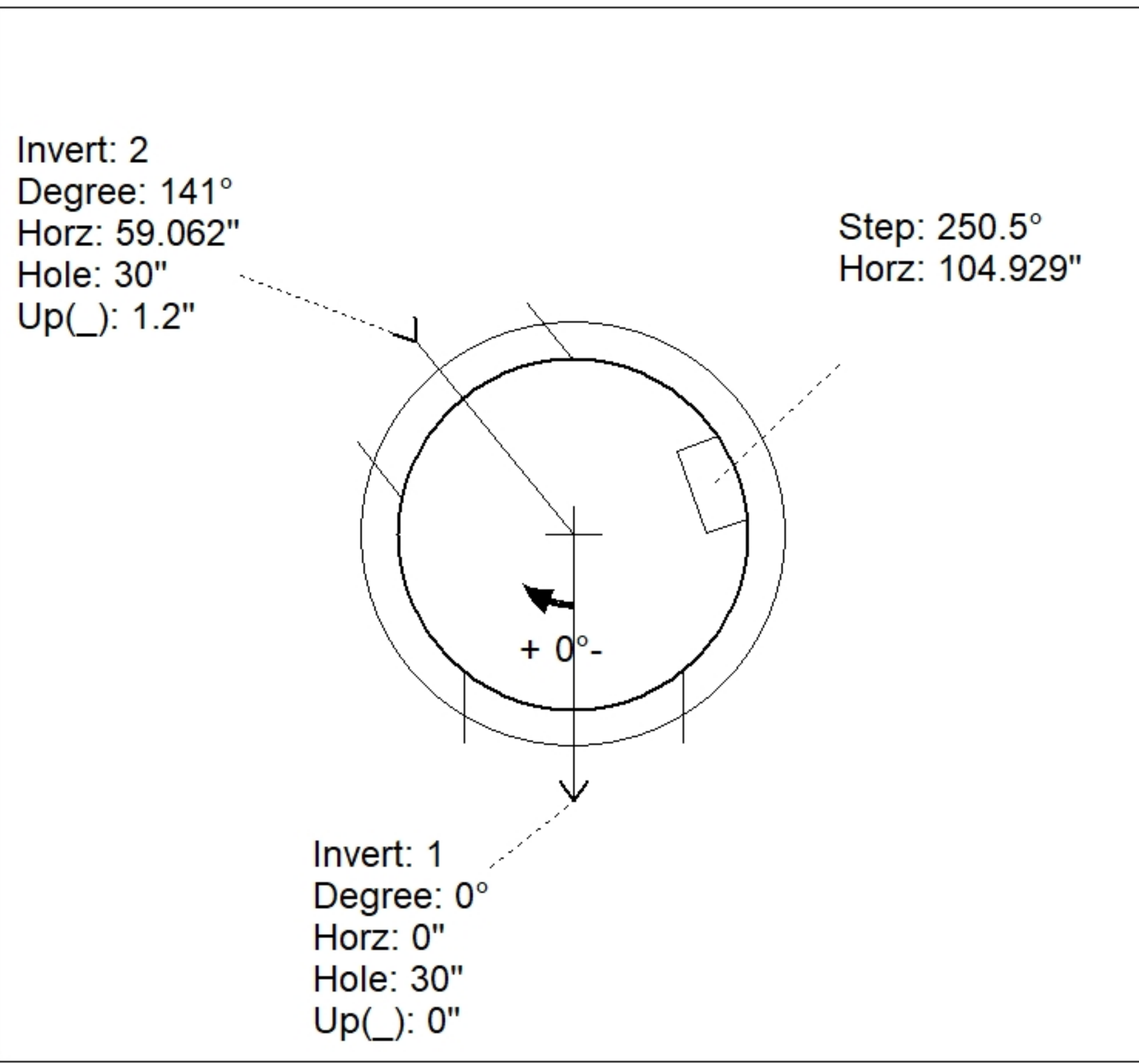
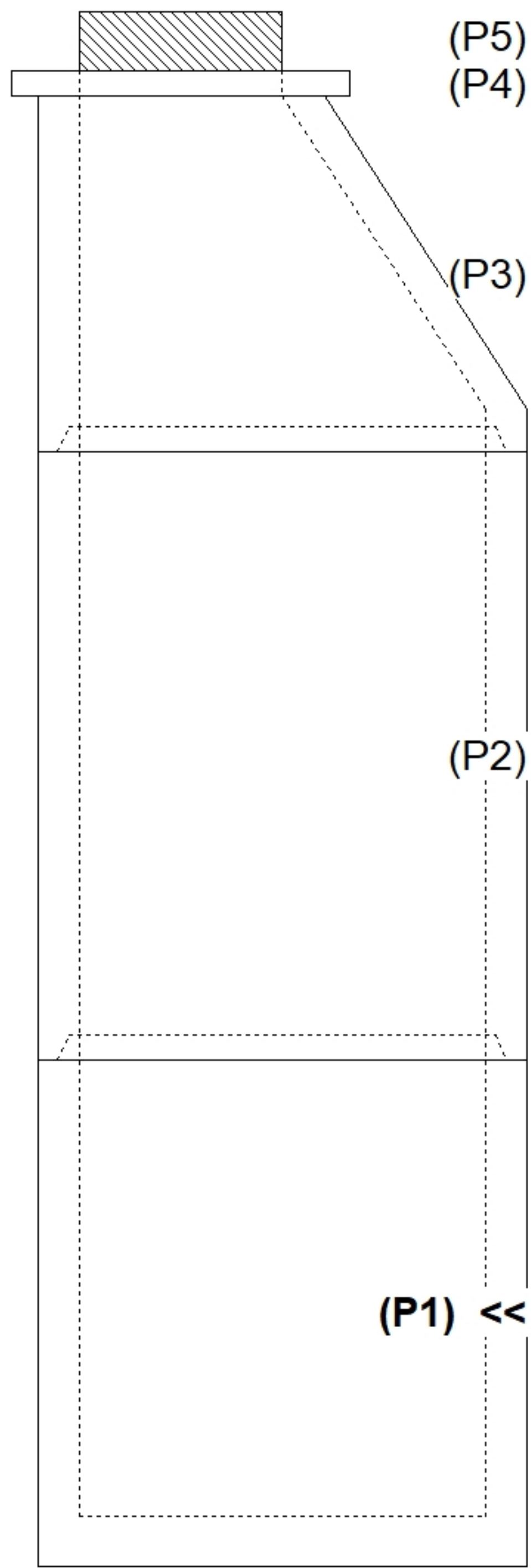
Structure Total: 13174 lb

Rim: 893' Rim to Invert: 14.73' Slack: 0.66" Sump: 1.9" Step Position: 250.5°

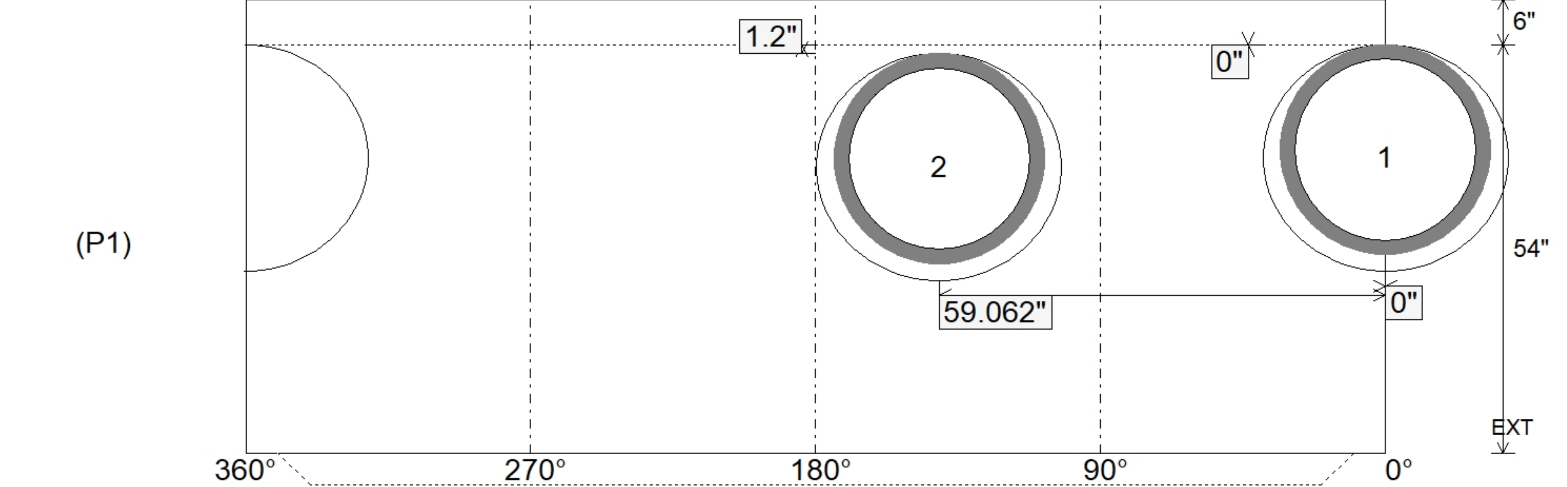
Position	Elev	Angle	Ext. (cw)	Pipe	Pipe OD	Connector	Hole	Horz Size	Up ( )	Offset
Invert 1	878.27'	0°	0"	24" HDPE	27.8"	Hole 30	30"	32.406"	0"	0"
Invert 2	878.37'	141°	71.367"	24" HDPE	27.8"	Hole 30	30"	32.406"	1.2"	0"
Invert 3										
Invert 4										
Invert 5										
Invert 6										
Invert 7										
Invert 8										

RIGHT-SIDE UP VIEW (int. dimensions)

UPSIDE-DOWN VIEW (int. dimensions)



INSIDE WALL DIMENSIONS



Coating (Int): Coating (Ext):	Seam Up: Tongue Seam Dn: n/a	Wall Thickness: 5" Floor Height: 6"	Height (Int): 54" Height (Ext): 60"	Weight (Net): 4471 lb Volume (Net): 1.14cu.yd
----------------------------------	---------------------------------	--	--	--