

**Job Name: 26-1222 Woodvale Subdivision Ph.120-211-300**

**Job Location: Erlanger, KY**

**Contractor: Mago Construction Co. LLC**

PC: Celina Goff

TECH: Jared - A

Plant: 100



Structure ID: MH-311-23 SS-MH

Spec: Sanitary  
Type: SAN.MH  
Size: 48"

Rim: 896.5'  
Invert: 886.76'  
Rim to Invert: 9.74'

Sump: 2"  
Floor (Top): 886.593'  
Floor Height: 8"

Floor (Bot): 885.927'  
Overall Height: 10.5'  
Slack: 0.88"

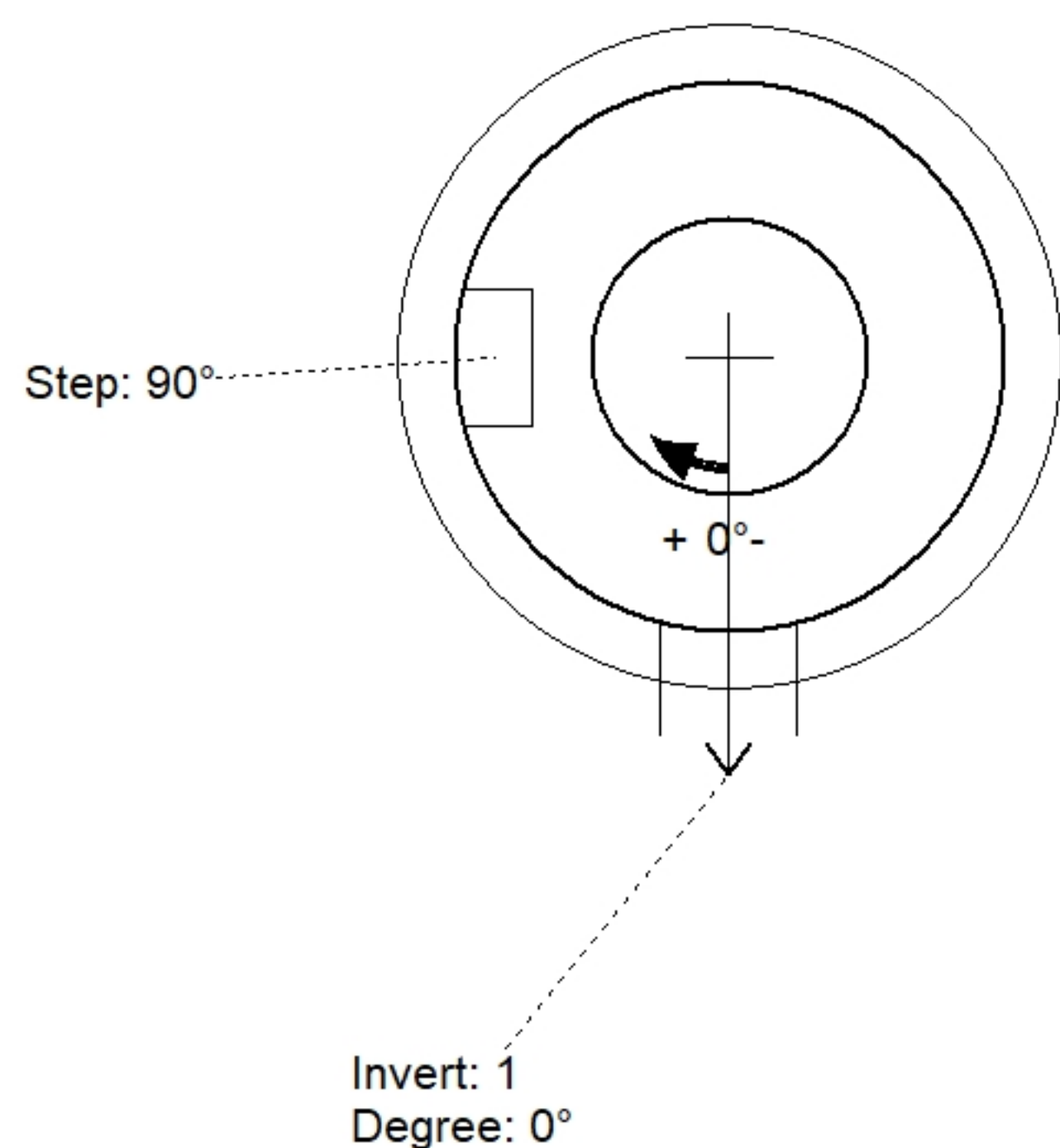
**Structure Notes:**

PLAN LABEL: 311

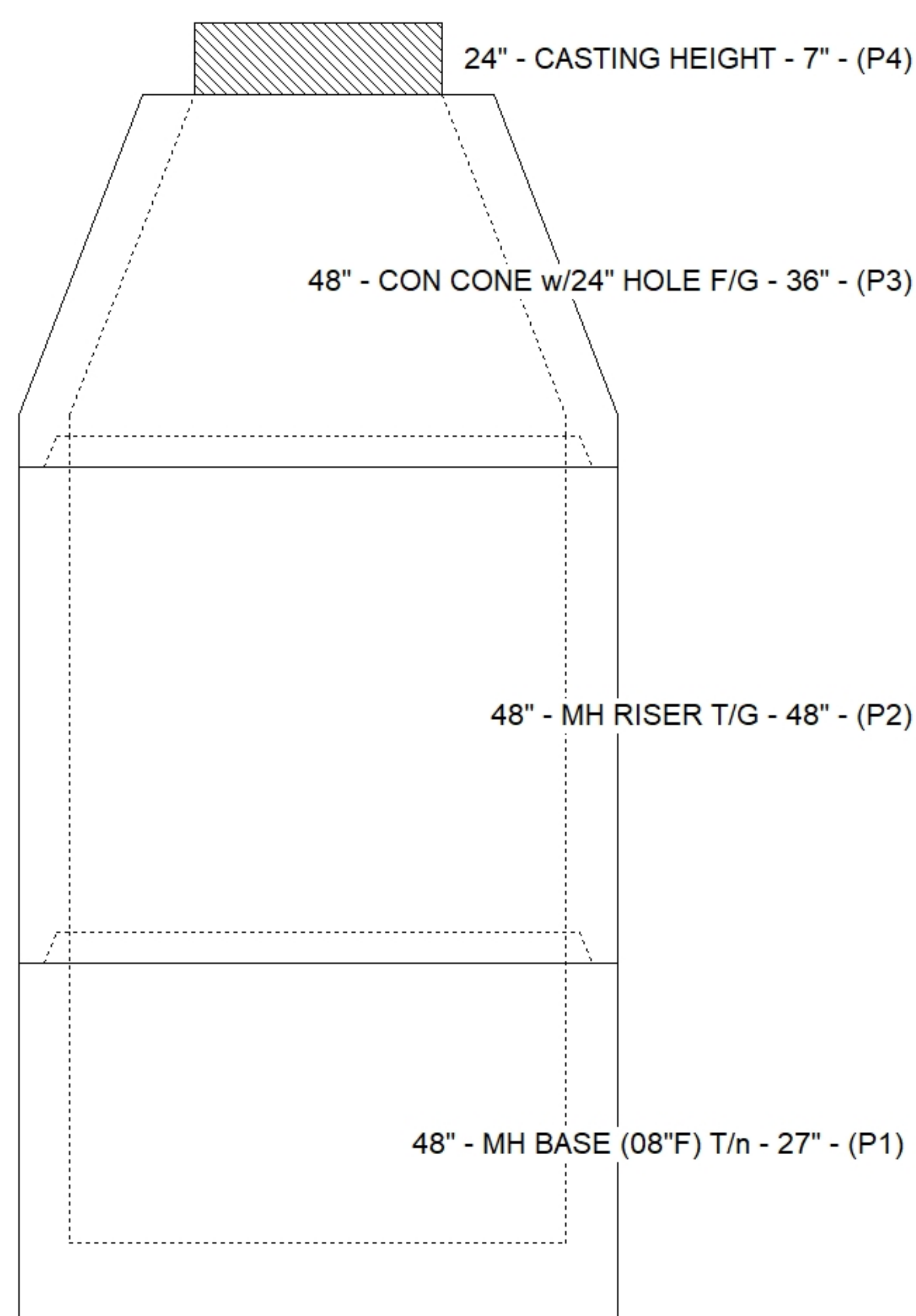
1. HOE MC-375 F/C SANITARY PROVIDED BY ICAST.
  2. PER ASTM C76 SPECIFICATIONS.
  3. CONCRETE = 4,000 PSI AT 28 DAYS.
  4. REINFORCING PER ASTM A615 (GRADE 60).
- CONE (As .12)
  - BASE WALL W/ DBL. AS 0.12
  - FLOOR (AS .40)

**STRUCTURE SUMMARY:**

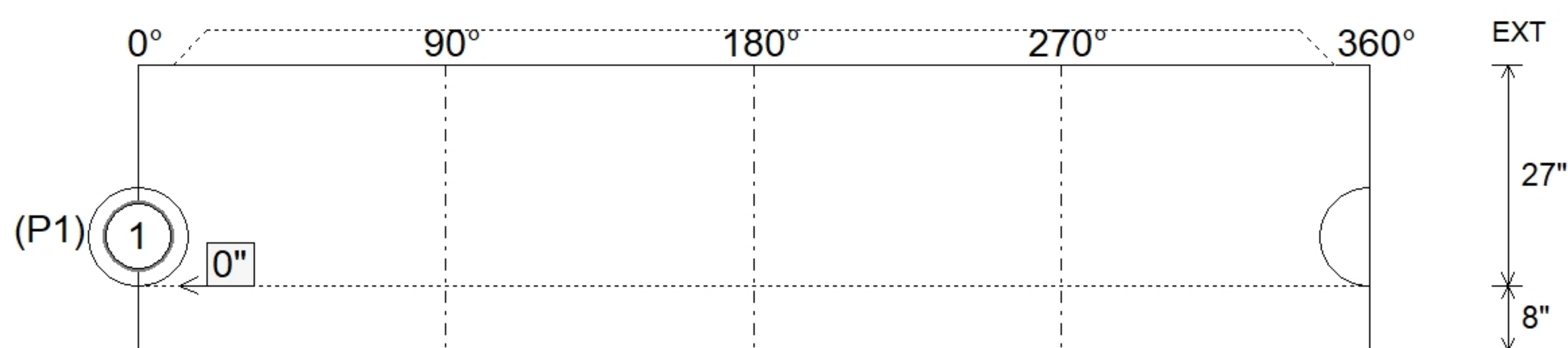
P4) 24" - CASTING HEIGHT - 7"	0 lb
P3) 48" - CON CONE w/24" HOLE F/G - 36"	2252 lb
P2) 48" - MH RISER T/G - 48"	3353 lb
P1) 48" - MH BASE (08"F) T/n - 27"	3612 lb
1) 48" - MH INVERT CHANNEL - FULL HEIGHT	1440 lb
1) CASTING - HOE MC-375 F/C Sanitary	271 lb
2) 48" - Conseal CS-102 1.00" (Double)	0 lb
1) PSX - 12-08 DD	8 lb
8) MH Step ML-10-TDS-NCR - 10"	0 lb
<b>Structure Total:</b>	<b>10936 lb</b>



Position	Elev	Angle	Pipe	Pipe OD	Hole	Connector	Up ( )	Ref
Rim	896.5'							
Reducer								
Invert 1	886.76'	0°	8" PVC SDR35	8.5"	12"	PSX 12-08 DD	0"	P1
Invert 2								
Invert 3								
Invert 4								
Invert 5								
Invert 6								
Invert 7								
Invert 8								



**Default - Interior Dimensions**



Submittal Drawing  
3/2/2026 1:33:48 PM

SUBMITTAL  
APPROVED BY: