

Job Name: 26-1222 Woodvale Subdivision Ph.120-211-300
Job Location: Erlanger, KY
Contractor: Mago Construction Co. LLC

PC: Celina Goff
 TECH: Jared - A
 Plant: 100

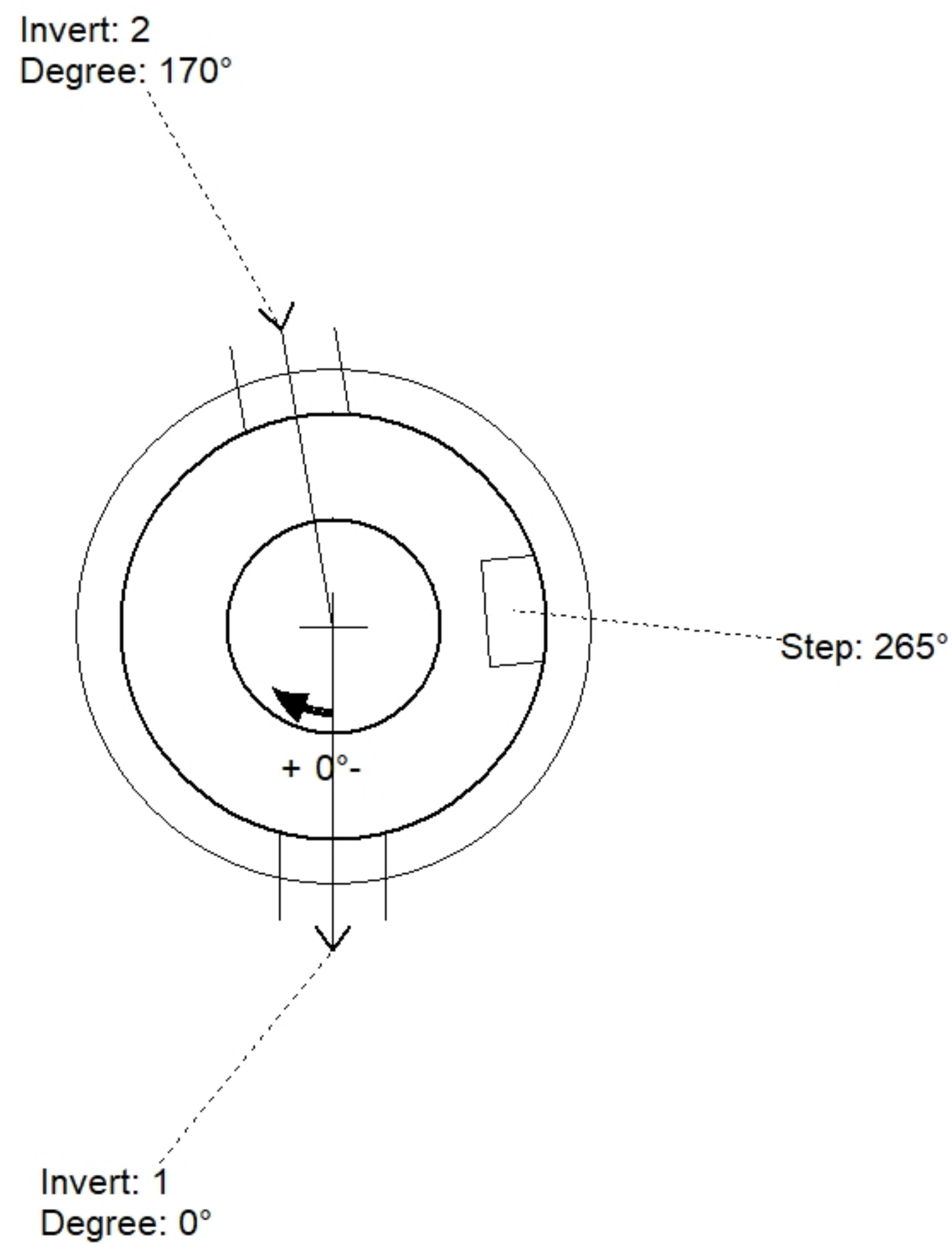


Structure ID: MH-310-22 SS-MH
 Spec: Sanitary Rim: 897.8' Sump: 2" Floor (Bot): 884.887'
 Type: SAN.MH Invert: 885.72' Floor (Top): 885.553' Overall Height: 12.75'
 Size: 48" Rim to Invert: 12.08' Floor Height: 8" Slack: 1.96"

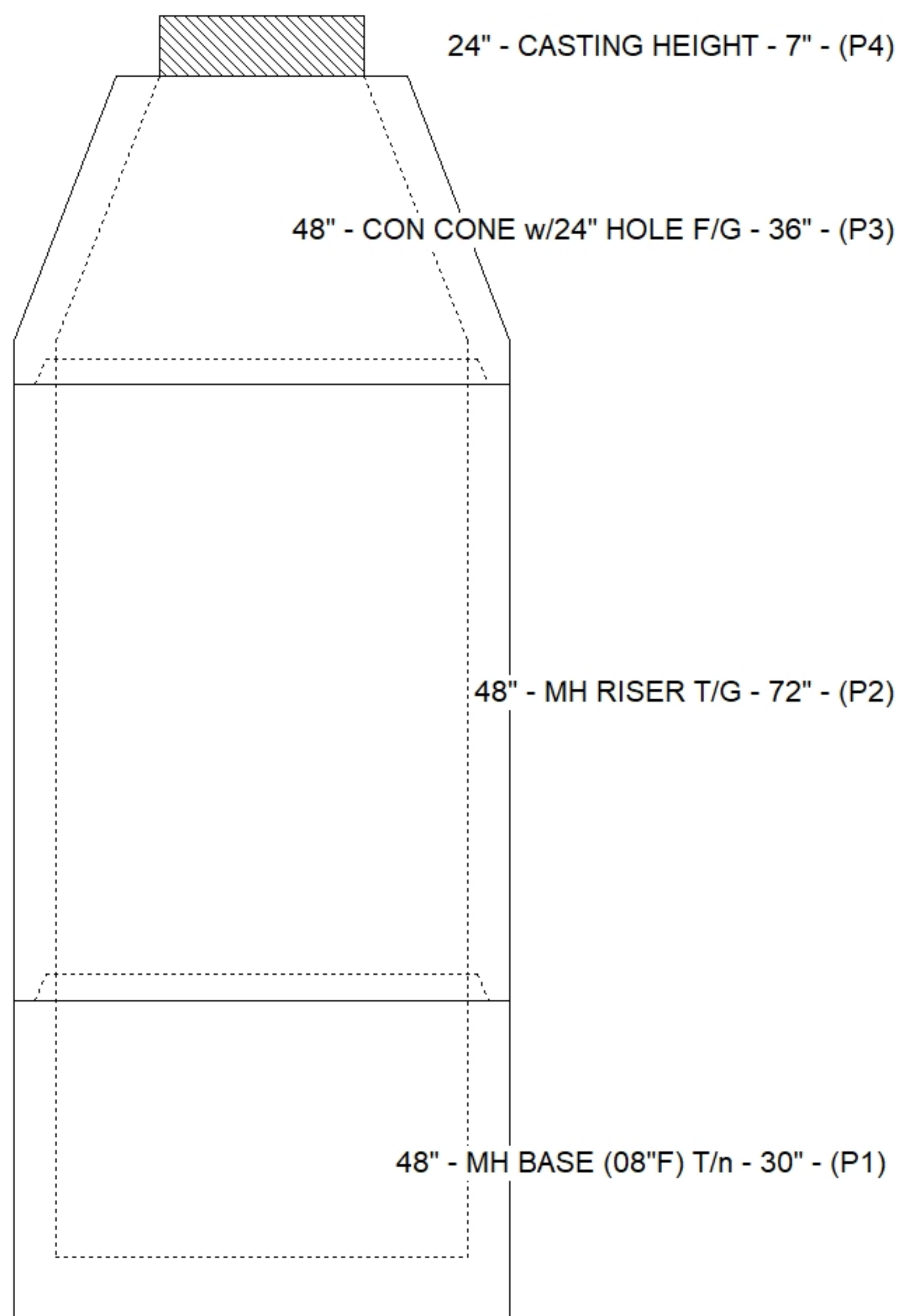
Structure Notes:
 PLAN LABEL: 310
 1. HOE MC-375 F/C SANITARY PROVIDED BY ICAST.
 2. PER ASTM C76 SPECIFICATIONS.
 3. CONCRETE = 4,000 PSI AT 28 DAYS.
 4. REINFORCING PER ASTM A615 (GRADE 60).
 - CONE (As .12)
 - BASE WALL W/ DBL. AS 0.12
 - FLOOR (AS .40)

STRUCTURE SUMMARY:

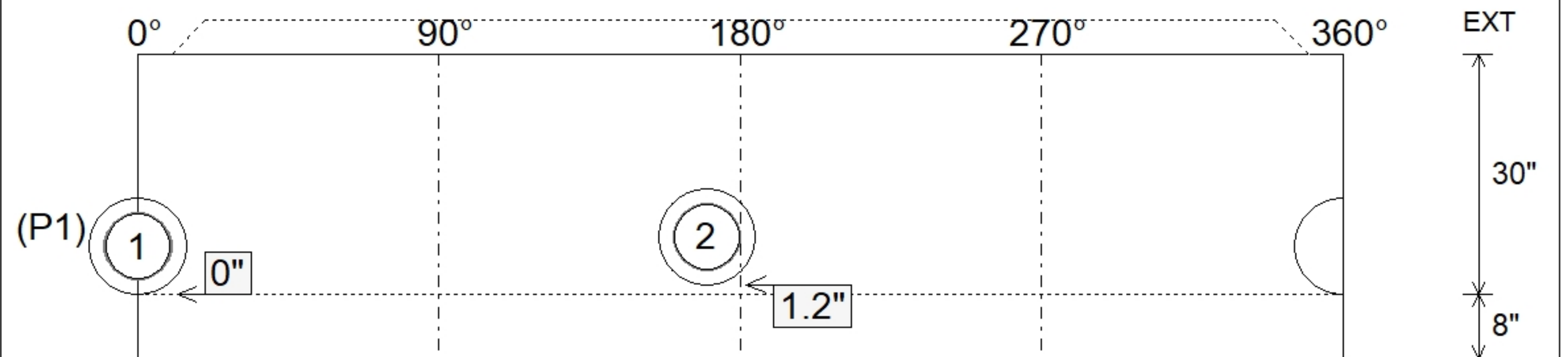
P4) 24" - CASTING HEIGHT - 7"	0 lb
P3) 48" - CON CONE w/24" HOLE F/G - 36"	2252 lb
P2) 48" - MH RISER T/G - 72"	5030 lb
P1) 48" - MH BASE (08"F) T/n - 30"	3774 lb
1) 48" - MH INVERT CHANNEL - FULL HEIGHT	1440 lb
1) CASTING - HOE MC-375 F/C Sanitary	271 lb
2) 48" - Conseal CS-102 1.00" (Double)	0 lb
2) PSX - 12-08 DD	16 lb
11) MH Step ML-10-TDS-NCR - 10"	0 lb
Structure Total:	12783 lb



Position	Elev	Angle	Pipe	Pipe OD	Hole	Connector	Up (")	Ref
Rim	897.8'							
Reducer								
Invert 1	885.72'	0°	8" PVC SDR35	8.5"	12"	PSX 12-08 DD	0"	P1
Invert 2	885.82'	170°	8" PVC SDR35	8.5"	12"	PSX 12-08 DD	1.2"	P1
Invert 3								
Invert 4								
Invert 5								
Invert 6								
Invert 7								
Invert 8								



Default - Interior Dimensions



Submittal Drawing
 3/2/2026 1:33:47 PM

SUBMITTAL
 APPROVED BY: