

**Job Name: 26-1222 Woodvale Subdivision Ph.120-211-300**  
**Job Location: Erlanger, KY**  
**Contractor: Mago Construction Co. LLC**

PC: Celina Goff  
 TECH: Jared - A  
 Plant: 100



Structure ID: MH-309-25 SS-MH

Spec: Sanitary  
 Type: SAN.MH  
 Size: 48"

Rim: 900.5'  
 Invert: 886.68'  
 Rim to Invert: 13.82'

Sump: 2"  
 Floor (Top): 886.513'  
 Floor Height: 8"

Floor (Bot): 885.847'  
 Overall Height: 14.583'  
 Slack: 0.84"

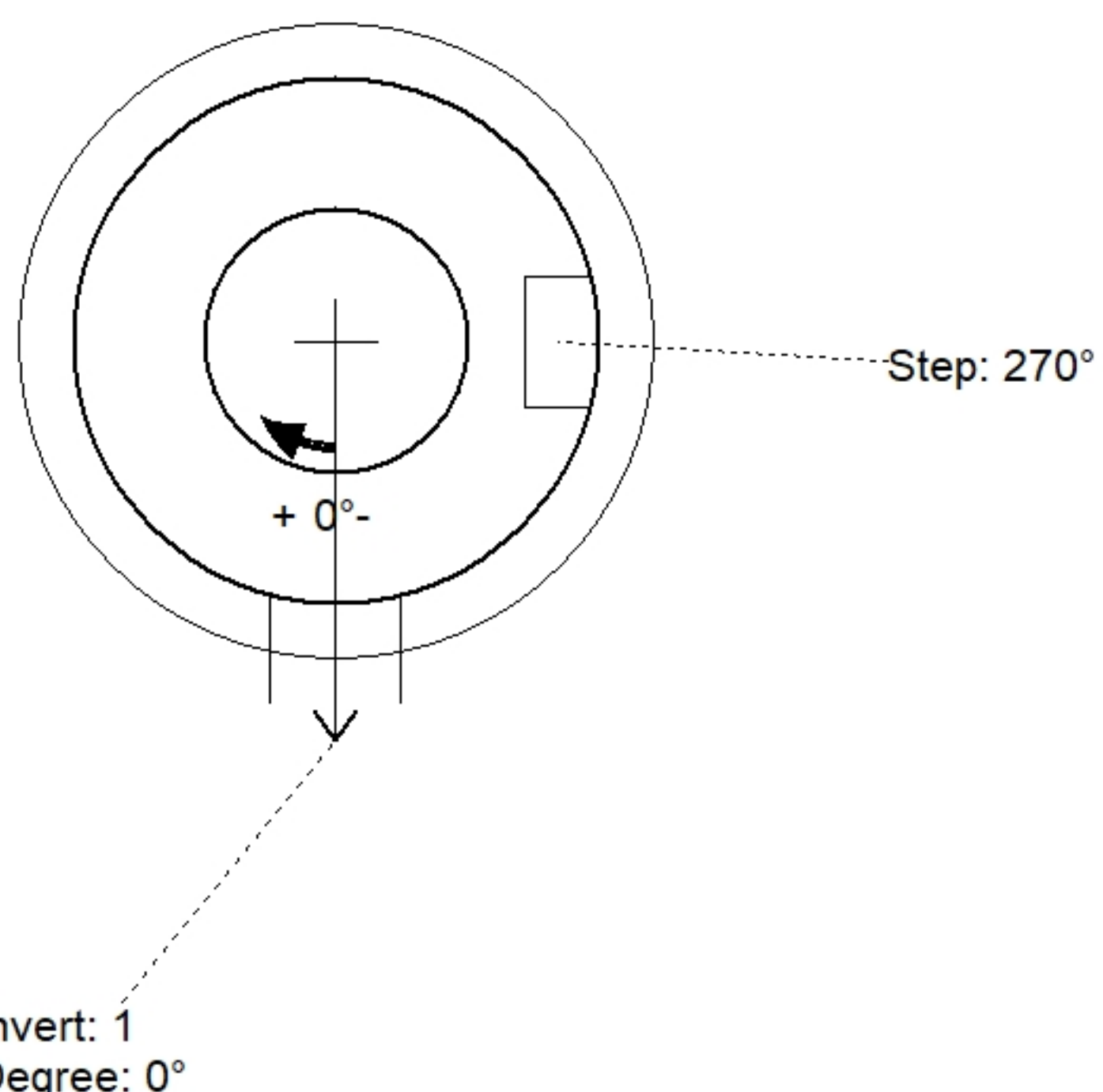
**Structure Notes:**

- PLAN LABEL: 309  
 1. HOE MC-375 F/C SANITARY PROVIDED BY ICAST.  
 2. PER ASTM C76 SPECIFICATIONS.  
 3. CONCRETE = 4,000 PSI AT 28 DAYS.  
 4. REINFORCING PER ASTM A615 (GRADE 60).  
 - CONE (As .12)  
 - BASE WALL W/ DBL. AS 0.12  
 - FLOOR (AS .40)

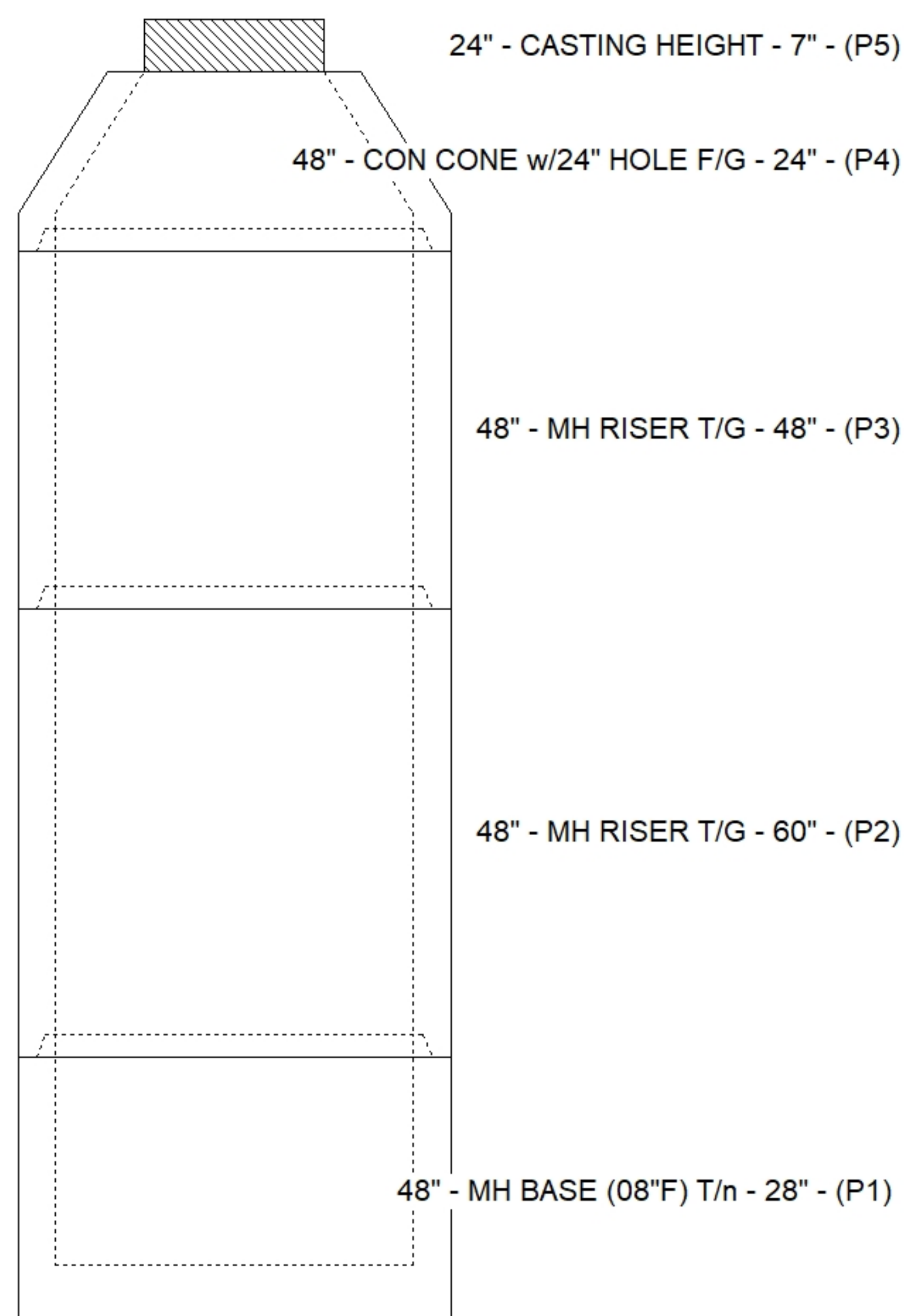
**STRUCTURE SUMMARY:**

- P5) 24" - CASTING HEIGHT - 7" 0 lb
- P4) 48" - CON CONE w/24" HOLE F/G - 24" 2252 lb
- P3) 48" - MH RISER T/G - 48" 3353 lb
- P2) 48" - MH RISER T/G - 60" 4192 lb
- P1) 48" - MH BASE (08"F) T/n - 28" 3682 lb
- 1) 48" - MH INVERT CHANNEL - FULL HEIGHT 1440 lb
- 1) CASTING - HOE MC-375 F/C Sanitary 271 lb
- 3) 48" - Conseal CS-102 1.00" (Double) 0 lb
- 1) PSX - 12-08 DD 8 lb
- 13) MH Step ML-10-TDS-NCR - 10" 0 lb

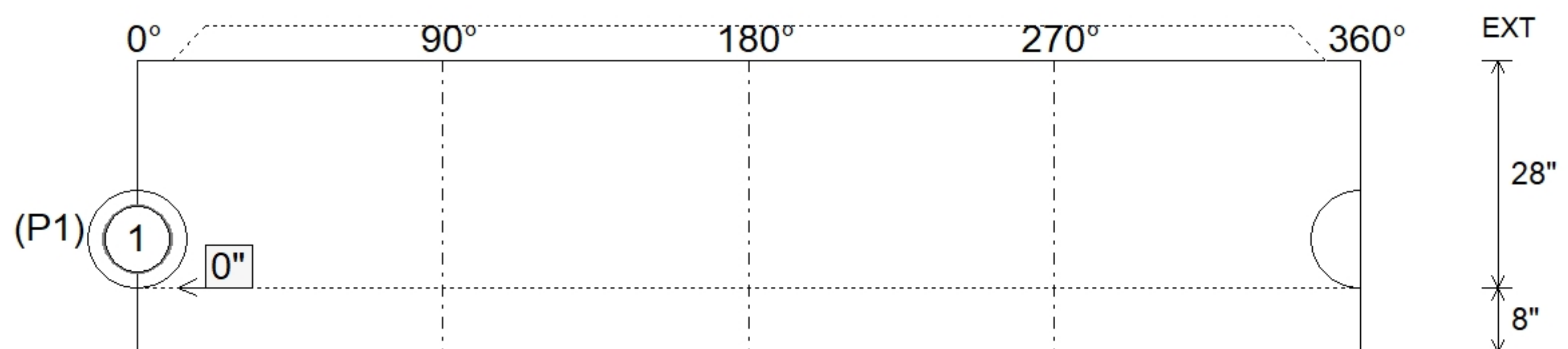
Structure Total: 15198 lb



| Position | Elev    | Angle | Pipe         | Pipe OD | Hole | Connector    | Up ( ) | Ref |
|----------|---------|-------|--------------|---------|------|--------------|--------|-----|
| Rim      | 900.5'  |       |              |         |      |              |        |     |
| Reducer  |         |       |              |         |      |              |        |     |
| Invert 1 | 886.68' | 0°    | 8" PVC SDR35 | 8.5"    | 12"  | PSX 12-08 DD | 0"     | P1  |
| Invert 2 |         |       |              |         |      |              |        |     |
| Invert 3 |         |       |              |         |      |              |        |     |
| Invert 4 |         |       |              |         |      |              |        |     |
| Invert 5 |         |       |              |         |      |              |        |     |
| Invert 6 |         |       |              |         |      |              |        |     |
| Invert 7 |         |       |              |         |      |              |        |     |
| Invert 8 |         |       |              |         |      |              |        |     |



**Default - Interior Dimensions**



Submittal Drawing  
 3/2/2026 1:33:48 PM

SUBMITTAL  
 APPROVED BY: