

Job Name: 26-1222 Woodvale Subdivision Ph.120-211-300

Job Location: Erlanger, KY

Contractor: Mago Construction Co. LLC

PC: Celina Goff

TECH: Jared - A

Plant: 100



Structure ID: MH-308-24 SS-MH

Spec: Sanitary
Type: SAN.MH
Size: 48"

Rim: 897.87'
Invert: 885.44'
Rim to Invert: 12.43'

Sump: 2"
Floor (Top): 885.273'
Floor Height: 8"

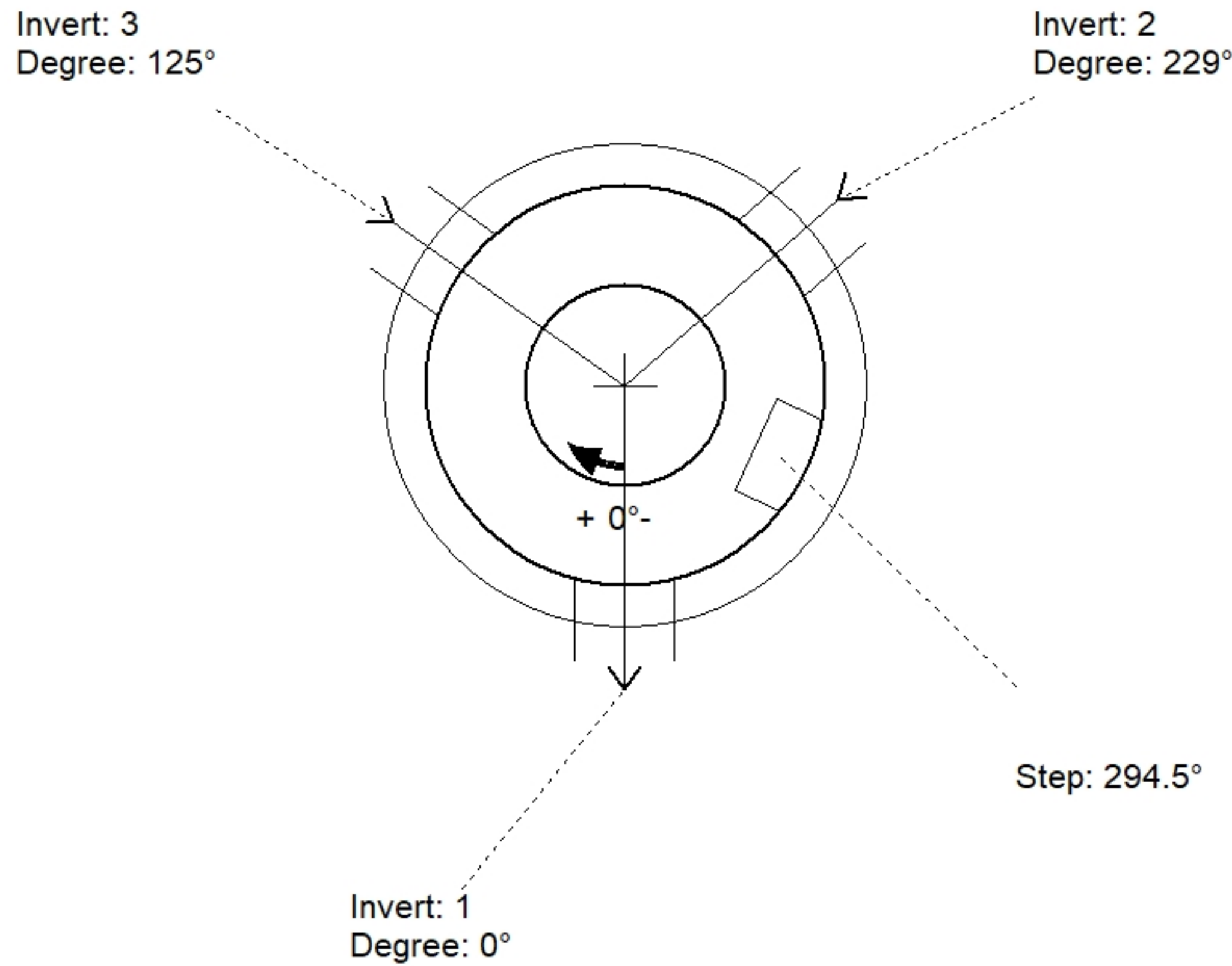
Floor (Bot): 884.607'
Overall Height: 13.25'
Slack: 0.16"

Structure Notes:

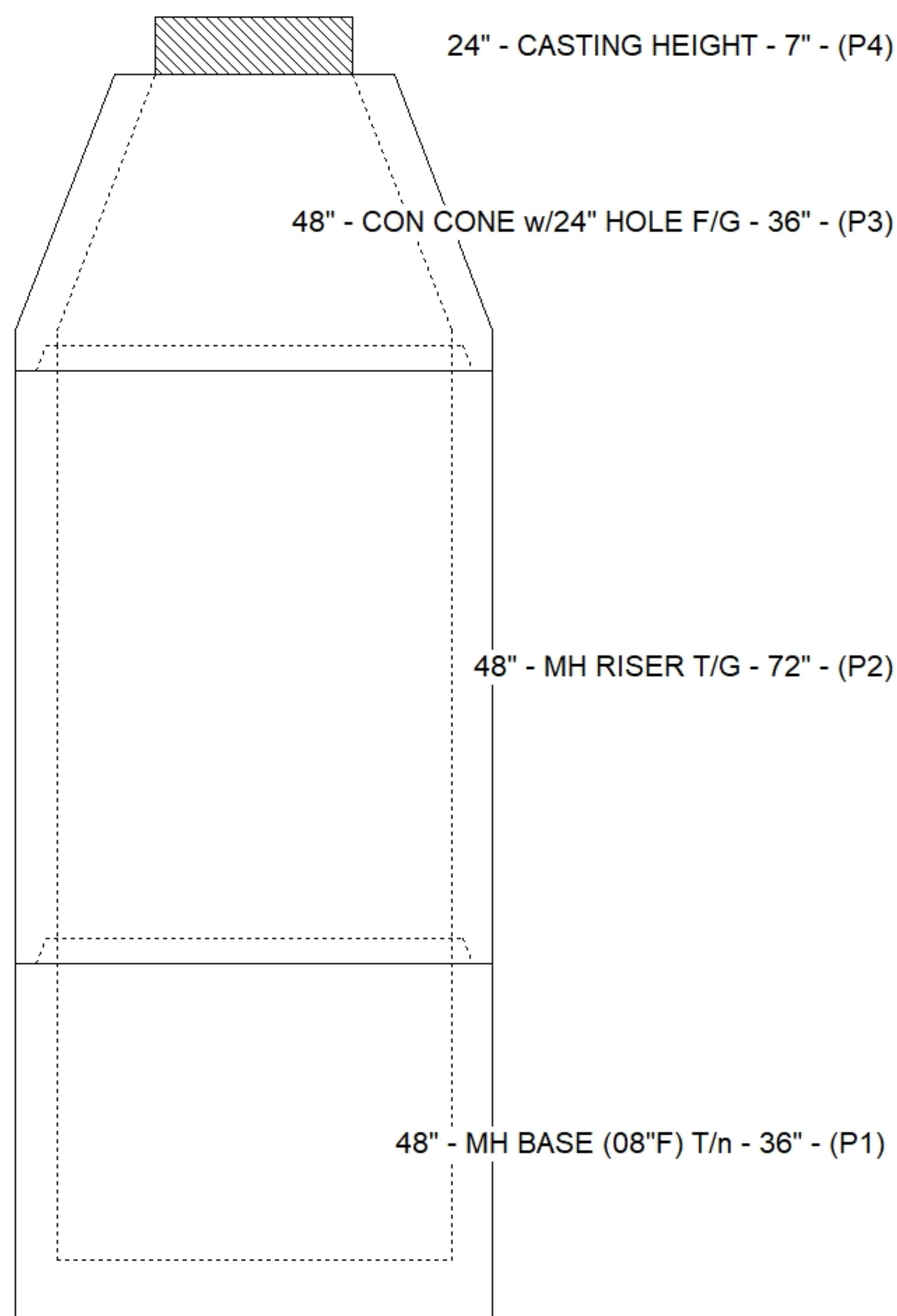
- PLAN LABEL: 308
- HOE MC-375 F/C SANITARY PROVIDED BY ICAST.
 - PER ASTM C76 SPECIFICATIONS.
 - CONCRETE = 4,000 PSI AT 28 DAYS.
 - REINFORCING PER ASTM A615 (GRADE 60).
- CONE (As .12)
 - BASE WALL W/ DBL. AS 0.12
 - FLOOR (AS .40)

STRUCTURE SUMMARY:

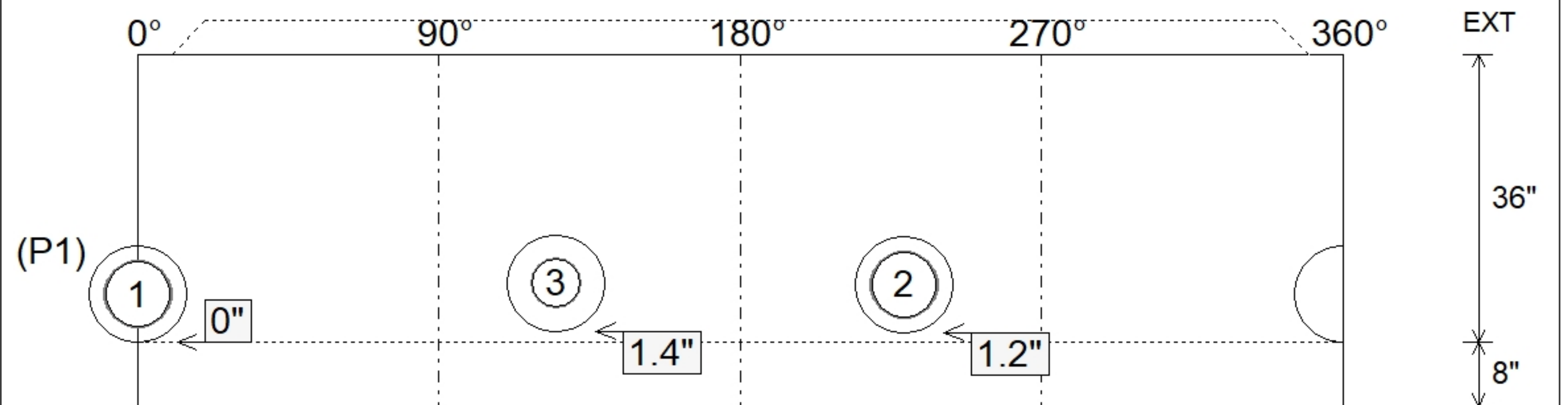
P4) 24" - CASTING HEIGHT - 7"	0 lb
P3) 48" - CON CONE w/24" HOLE F/G - 36"	2252 lb
P2) 48" - MH RISER T/G - 72"	5030 lb
P1) 48" - MH BASE (08"F) T/n - 36"	4145 lb
1) 48" - MH INVERT CHANNEL - FULL HEIGHT	1440 lb
1) CASTING - HOE MC-375 F/C Sanitary	271 lb
2) 48" - Conseal CS-102 1.00" (Double)	0 lb
2) PSX - 12-08 DD	16 lb
1) PSX - 12-06 DD	8 lb
11) MH Step ML-10-TDS-NCR - 10"	0 lb
Structure Total:	13162 lb



Position	Elev	Angle	Pipe	Pipe OD	Hole	Connector	Up ()	Ref
Rim	897.87'							
Reducer								
Invert 1	885.44'	0°	8" PVC SDR35	8.5"	12"	PSX 12-08 DD	0"	P1
Invert 2	885.54'	229°	8" PVC SDR35	8.5"	12"	PSX 12-08 DD	1.2"	P1
Invert 3	885.64'	125°	6" PVC SDR35	6.25"	12"	PSX 12-06 DD	1.4"	P1
Invert 4								
Invert 5								
Invert 6								
Invert 7								
Invert 8								



Default - Interior Dimensions



Submittal Drawing
3/2/2026 1:33:48 PM

SUBMITTAL
APPROVED BY: