

**Job Name: 26-1222 Woodvale Subdivision Ph.120-211-300**  
**Job Location: Erlanger, KY**  
**Contractor: Mago Construction Co. LLC**

PC: Celina Goff  
 TECH: Jared - A  
 Plant: 100



Structure ID: MH-307-21 SS-MH

Spec: Sanitary  
 Type: SAN.MH  
 Size: 48"

Rim: 900.2'  
 Invert: 884.72'  
 Rim to Invert: 15.48'

Sump: 2"  
 Floor (Top): 884.553'  
 Floor Height: 10"

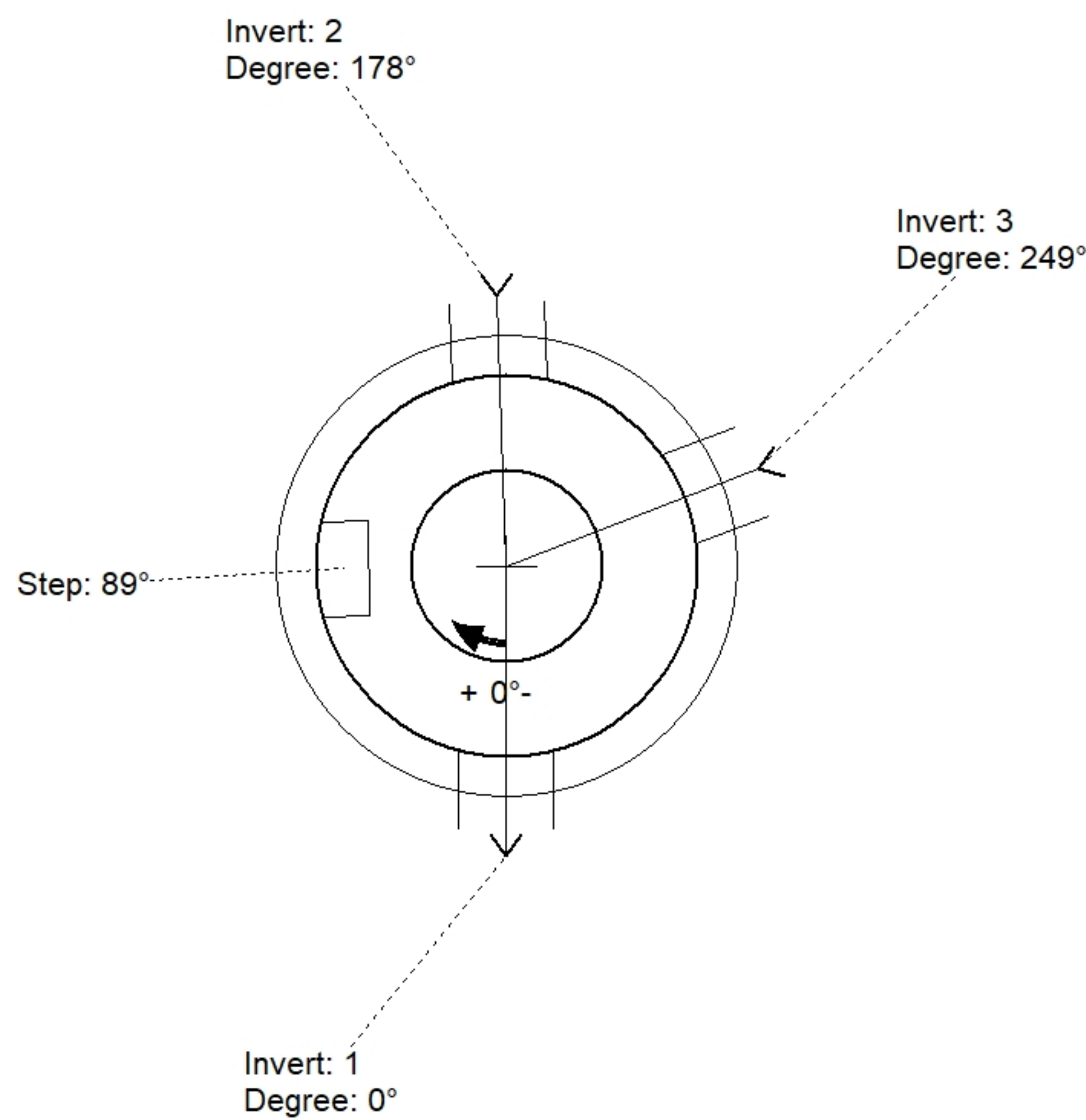
Floor (Bot): 883.72'  
 Overall Height: 16.417'  
 Slack: 0.76"

**Structure Notes:**

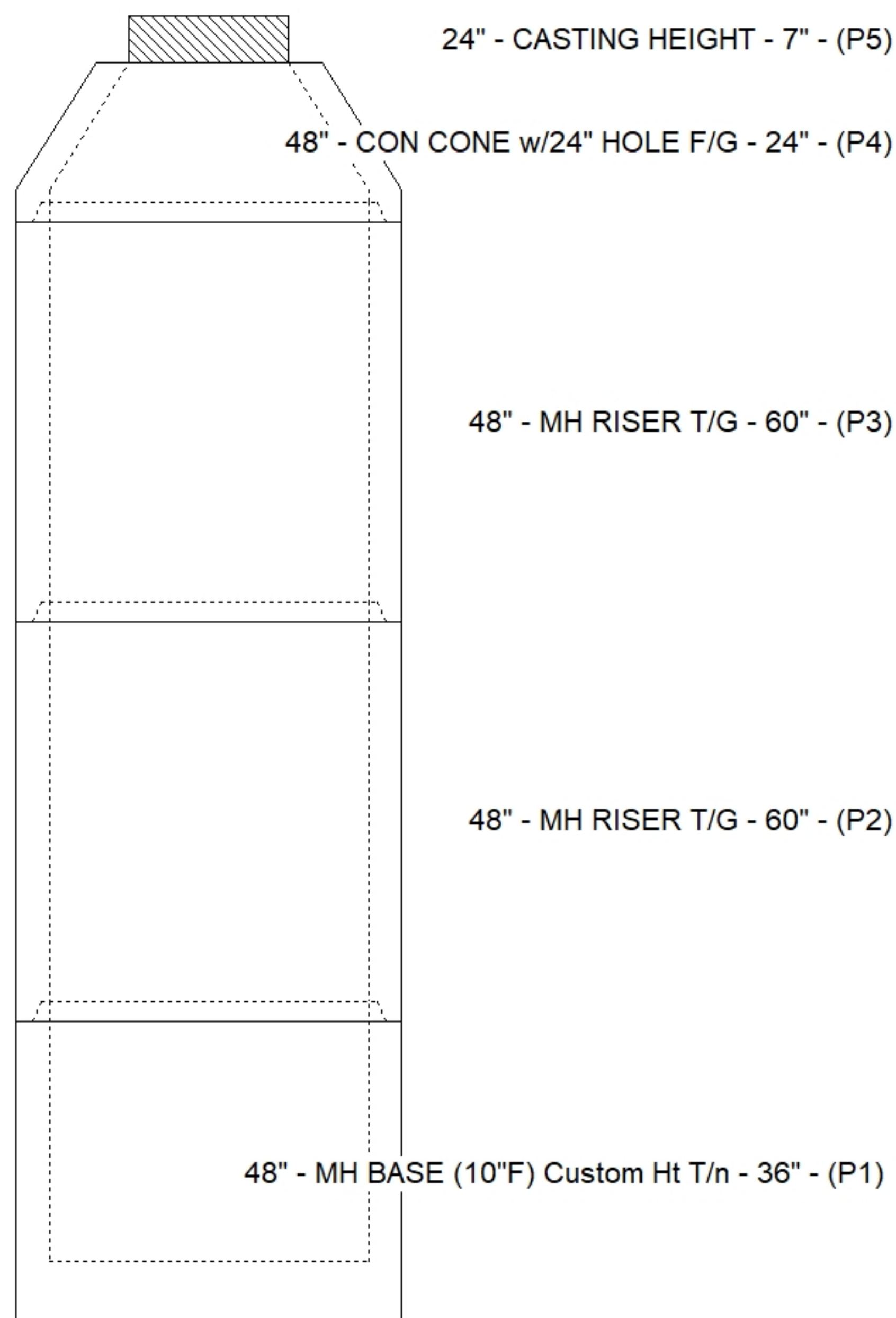
- PLAN LABEL: 307  
 1. HOE MC-375 F/C SANITARY PROVIDED BY ICAST.  
 2. PER ASTM C76 SPECIFICATIONS.  
 3. CONCRETE = 4,000 PSI AT 28 DAYS.  
 4. REINFORCING PER ASTM A615 (GRADE 60).  
 - CONE (As .12)  
 - BASE WALL W/ DBL. AS 0.12  
 - FLOOR (AS .40)

**STRUCTURE SUMMARY:**

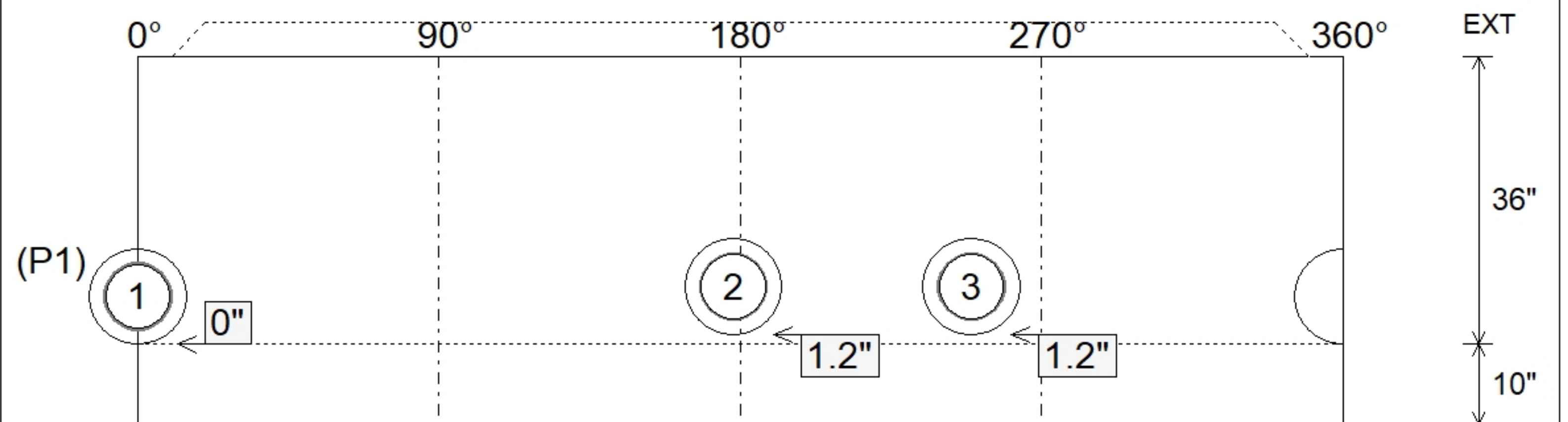
P5) 24" - CASTING HEIGHT - 7"	0 lb
P4) 48" - CON CONE w/24" HOLE F/G - 24"	2252 lb
P3) 48" - MH RISER T/G - 60"	4192 lb
P2) 48" - MH RISER T/G - 60"	4192 lb
P1) 48" - MH BASE (10"F) Custom Ht T/n - 36"	4588 lb
1) 48" - MH INVERT CHANNEL - FULL HEIGHT	1440 lb
1) CASTING - HOE MC-375 F/C Sanitary	271 lb
3) 48" - Conseal CS-102 1.00" (Double)	0 lb
3) PSX - 12-08 DD	24 lb
14) MH Step ML-10-TDS-NCR - 10"	0 lb
<b>Structure Total:</b>	<b>16958 lb</b>



Position	Elev	Angle	Pipe	Pipe OD	Hole	Connector	Up (")	Ref
Rim	900.2'							
Reducer								
Invert 1	884.72'	0°	8" PVC SDR26	8.5"	12"	PSX 12-08 DD	0"	P1
Invert 2	884.82'	178°	8" PVC SDR35	8.5"	12"	PSX 12-08 DD	1.2"	P1
Invert 3	884.82'	249°	8" PVC SDR35	8.5"	12"	PSX 12-08 DD	1.2"	P1
Invert 4								
Invert 5								
Invert 6								
Invert 7								
Invert 8								



**Default - Interior Dimensions**



Submittal Drawing  
 3/2/2026 1:33:47 PM

SUBMITTAL  
 APPROVED BY: