

Job Name: 26-1222 Woodvale Subdivision Ph.120-211-300  
 Job Location: Erlanger, KY  
 Contractor: Mago Construction Co. LLC

Plant: 100  
 2/26/2026 8:59:06 AM

Tech: Jared - A  
 PC: Celina Goff



**Structure ID: MH-307-21 SS-MH**

**P1 MH048BAVF**

**MH BASE (10"F) Custom Ht T/n**

- P5) 24" - CASTING HEIGHT - 7"
- P4) 48" - CON CONE w/24" HOLE F/G - 24"
- P3) 48" - MH RISER T/G - 60"
- P2) 48" - MH RISER T/G - 60"
- P1) 48" - MH BASE (10"F) Custom Ht T/n - 36"
- 1) 48" - MH INVERT CHANNEL - FULL HEIGHT
- 1) CASTING - HOE MC-375 F/C Sanitary
- 3) 48" - Conseal CS-102 1.00" (Double)
- 3) PSX - 12-08 DD
- 14) MH Step ML-10-TDS-NCR - 10"

0 lb  
 2252 lb  
 4192 lb  
 4192 lb  
 4588 lb  
 1440 lb  
 271 lb  
 0 lb  
 24 lb  
 0 lb  
 -----  
 Structure Total: 16958 lb

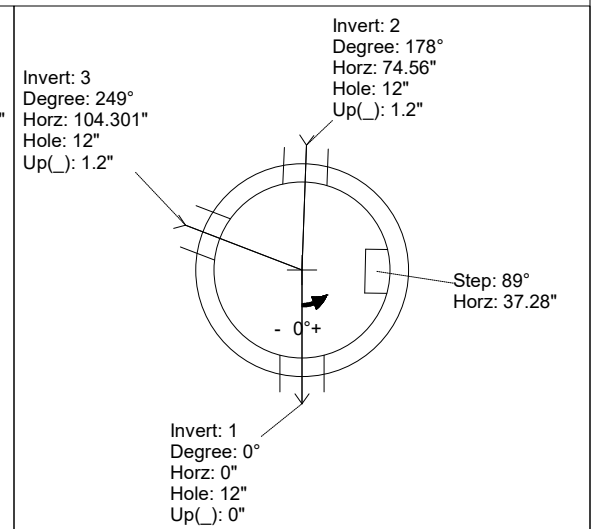
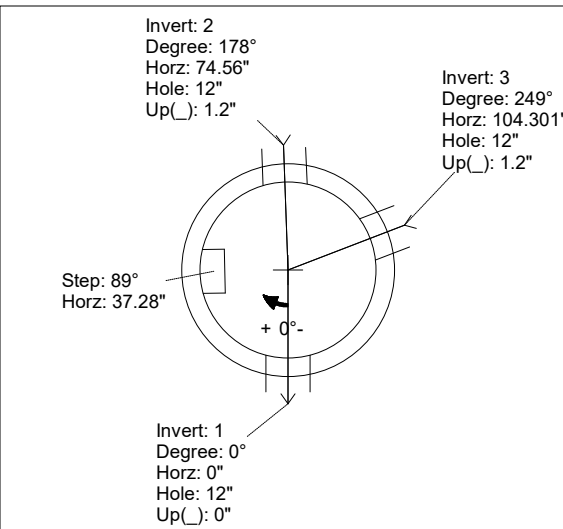
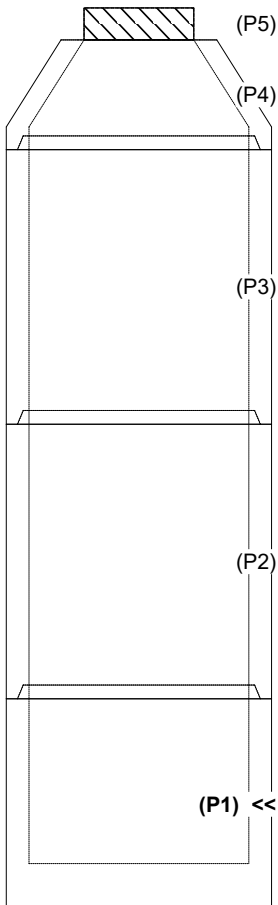
- Structure Notes:**  
 PLAN LABEL: 307
1. HOE MC-375 F/C SANITARY PROVIDED BY ICAST.
  2. PER ASTM C76 SPECIFICATIONS.
  3. CONCRETE = 4,000 PSI AT 28 DAYS.
  4. REINFORCING PER ASTM A615 (GRADE 60).
- CONE (As .12)
  - BASE WALL W/ DBL. AS 0.12
  - FLOOR (AS .40)

Rim: 900.2' Rim to Invert: 15.48' Slack: 0.76" Sump: 2" Step Position: 89°

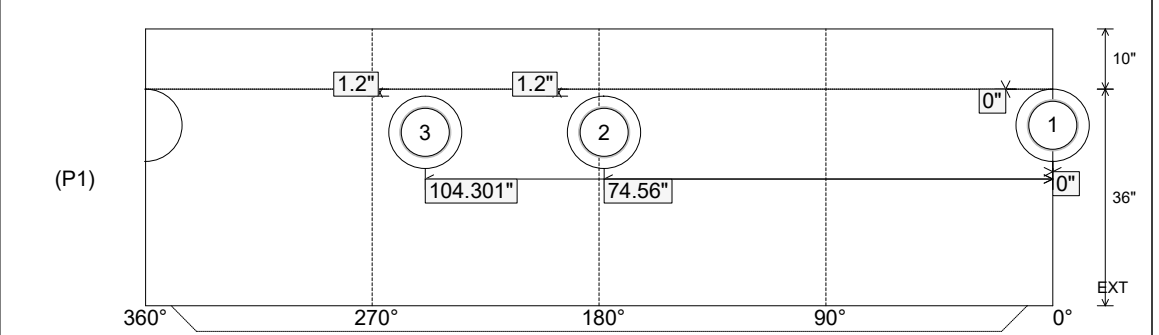
Position	Elev	Angle	Ext. (cw)	Pipe	Pipe OD	Connector	Hole	Horz Size	Up ( )	Offset
Invert 1	884.72'	0°	0"	8" PVC SDR26	8.5"	PSX 12-08 DD	12"	12.129"	0"	0"
Invert 2	884.82'	178°	90.094"	8" PVC SDR35	8.5"	PSX 12-08 DD	12"	12.129"	1.2"	0"
Invert 3	884.82'	249°	126.03"	8" PVC SDR35	8.5"	PSX 12-08 DD	12"	12.129"	1.2"	0"
Invert 4										
Invert 5										
Invert 6										
Invert 7										
Invert 8										

RIGHT-SIDE UP VIEW (int. dimensions)

UPSIDE-DOWN VIEW (int. dimensions)



INSIDE WALL DIMENSIONS



Coating (Int):  
 Coating (Ext):

Seam Up: Tongue  
 Seam Dn: n/a

Wall Thickness: 5"  
 Floor Height: 10"

Height (Int): 36"  
 Height (Ext): 46"

Weight (Net): 4588 lb  
 Volume (Net): 1.17cu.yd

Job Name: 26-1222 Woodvale Subdivision Ph.120-211-300  
 Job Location: Erlanger, KY  
 Contractor: Mago Construction Co. LLC

Plant: 100  
 2/26/2026 8:59:06 AM

Tech: Jared - A  
 PC: Celina Goff



**Structure ID: MH-307-21 SS-MH**

**P1 MH048BAVF**

**MH BASE (10"F) Custom Ht T/n**

- P5) 24" - CASTING HEIGHT - 7"
- P4) 48" - CON CONE w/24" HOLE F/G - 24"
- P3) 48" - MH RISER T/G - 60"
- P2) 48" - MH RISER T/G - 60"
- P1) 48" - MH BASE (10"F) Custom Ht T/n - 36"
- 1) 48" - MH INVERT CHANNEL - FULL HEIGHT
- 1) CASTING - HOE MC-375 F/C Sanitary
- 3) 48" - Conseal CS-102 1.00" (Double)
- 3) PSX - 12-08 DD
- 14) MH Step ML-10-TDS-NCR - 10"

0 lb  
 2252 lb  
 4192 lb  
 4192 lb  
 4588 lb  
 1440 lb  
 271 lb  
 0 lb  
 24 lb  
 0 lb  
 -----  
 Structure Total: 16958 lb

Structure Notes:

PLAN LABEL: 307

1. HOE MC-375 F/C SANITARY PROVIDED BY ICAST.
  2. PER ASTM C76 SPECIFICATIONS.
  3. CONCRETE = 4,000 PSI AT 28 DAYS.
  4. REINFORCING PER ASTM A615 (GRADE 60).
- CONE (As .12)
  - BASE WALL W/ DBL. AS 0.12
  - FLOOR (AS .40)

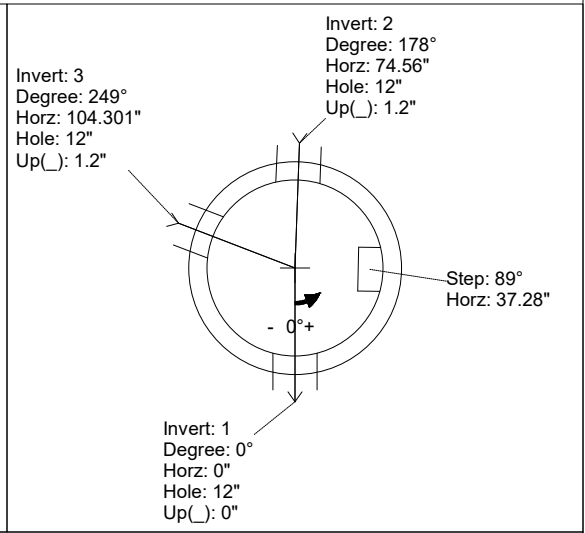
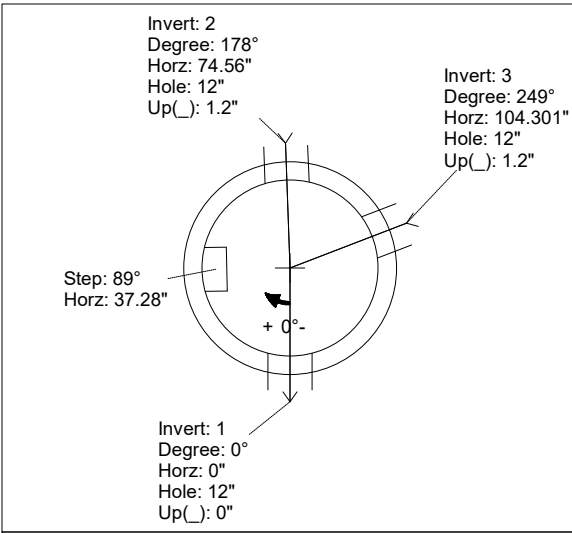
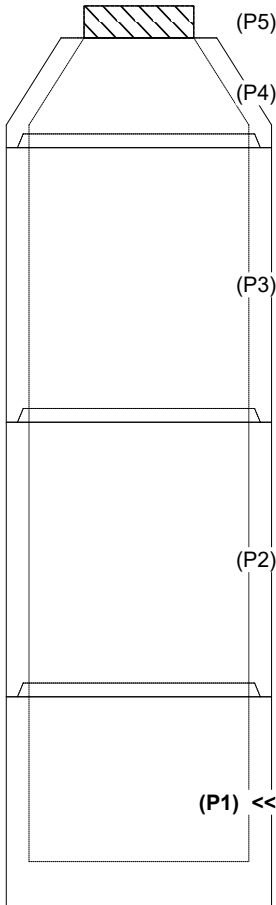
Invert channel drawing  
 Full height invert

Rim: 900.2' Rim to Invert: 15.48' Slack: 0.76" Sump: 2" Step Position: 89°

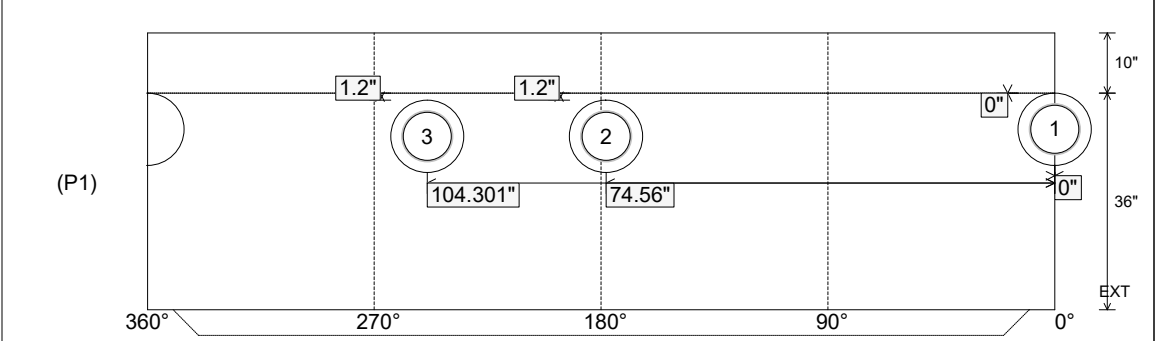
Position	Elev	Angle	Ext. (cw)	Pipe	Pipe OD	Connector	Hole	Horz Size	Up ( )	Offset
Invert 1	884.72'	0°	0"	8" PVC SDR26	8.5"	PSX 12-08 DD	12"	12.129"	0"	0"
Invert 2	884.82'	178°	90.094"	8" PVC SDR35	8.5"	PSX 12-08 DD	12"	12.129"	1.2"	0"
Invert 3	884.82'	249°	126.03"	8" PVC SDR35	8.5"	PSX 12-08 DD	12"	12.129"	1.2"	0"
Invert 4										
Invert 5										
Invert 6										
Invert 7										
Invert 8										

RIGHT-SIDE UP VIEW (int. dimensions)

UPSIDE-DOWN VIEW (int. dimensions)



INSIDE WALL DIMENSIONS



Coating (Int):  
 Coating (Ext):

Seam Up: Tongue  
 Seam Dn: n/a

Wall Thickness: 5"  
 Floor Height: 10"

Height (Int): 36"  
 Height (Ext): 46"

Weight (Net): 4588 lb  
 Volume (Net): 1.17cu.yd