

**Job Name: 26-1222 Woodvale Subdivision Ph.120-211-300**

**Job Location: Erlanger, KY**

**Contractor: Mago Construction Co. LLC**

PC: Celina Goff

TECH: Jared - A

Plant: 100



Structure ID: MH-306-20 SS-MH

Spec: Sanitary  
Type: SAN.MH  
Size: 48"

Rim: 906.44'  
Invert: 882.88'  
Rim to Invert: 23.56'

Sump: 2"  
Floor (Top): 882.713'  
Floor Height: 10"

Floor (Bot): 881.88'  
Overall Height: 24.417'  
Slack: 1.72"

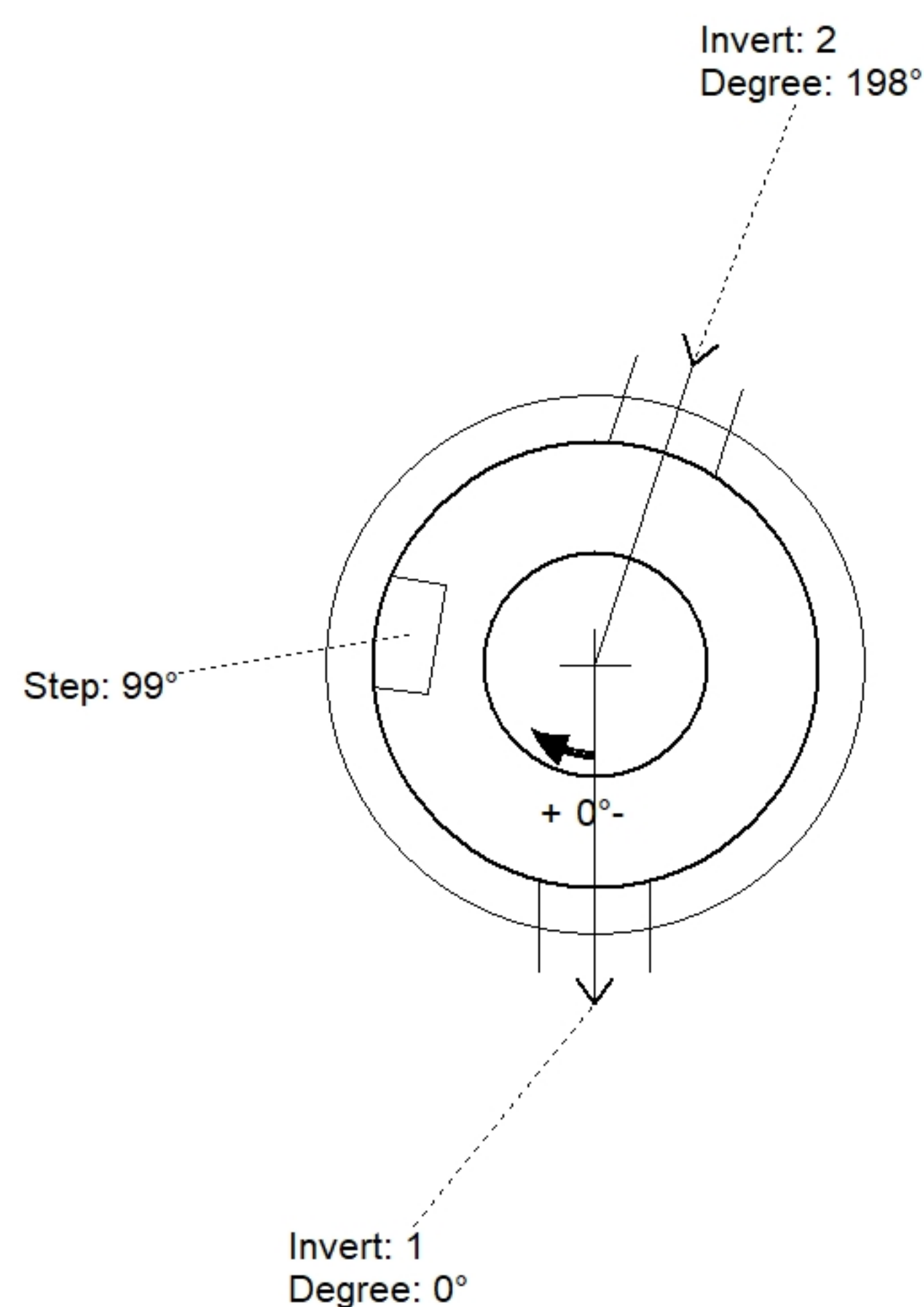
**Structure Notes:**

PLAN LABEL: 306

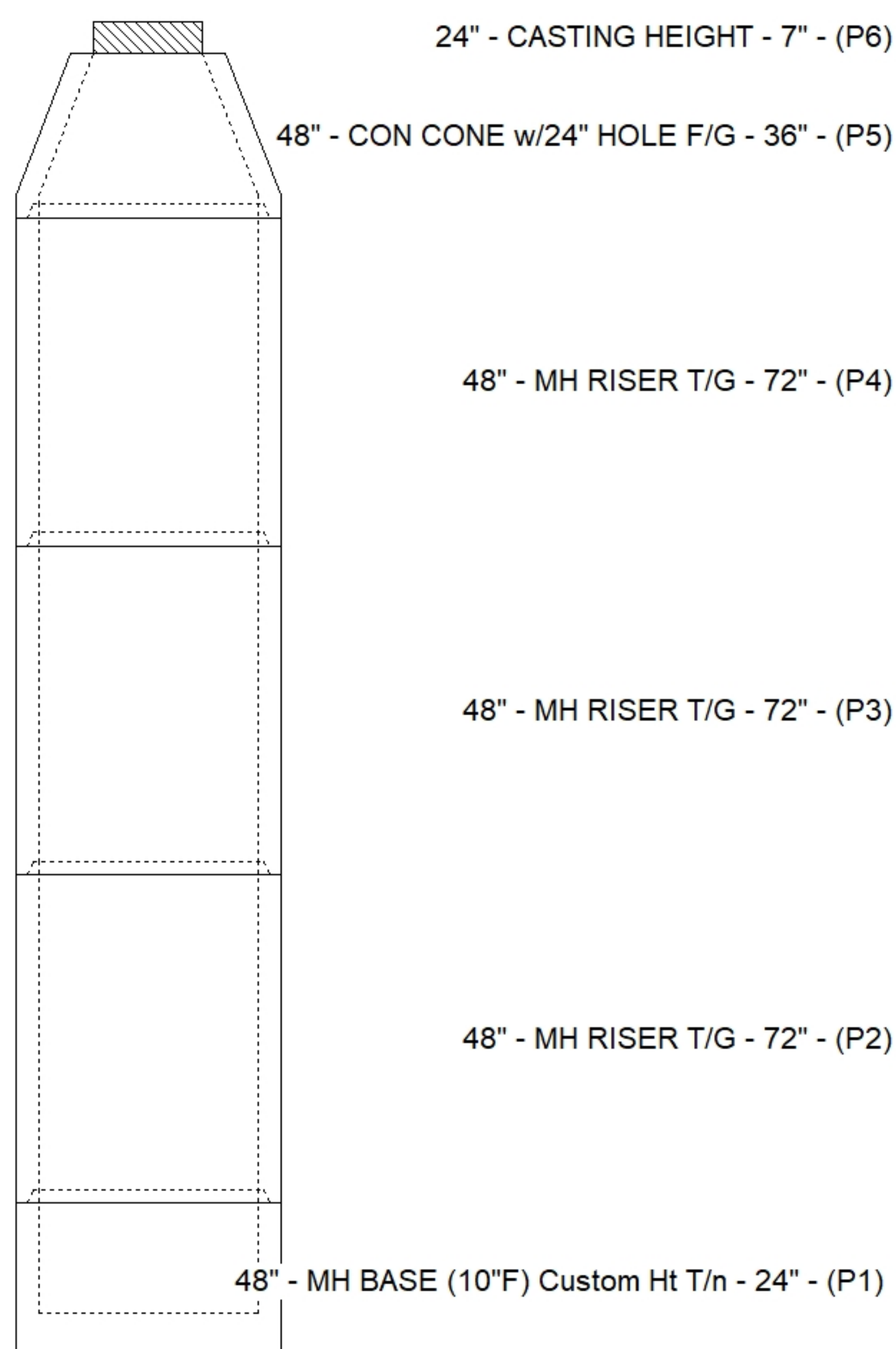
1. HOE MC-375 F/C SANITARY PROVIDED BY ICAST.
  2. PER ASTM C76 SPECIFICATIONS.
  3. CONCRETE = 4,000 PSI AT 28 DAYS.
  4. REINFORCING PER ASTM A615 (GRADE 60).
- CONE (As .12)
  - BASE WALL W/ DBL. AS 0.12
  - FLOOR (AS .40)

**STRUCTURE SUMMARY:**

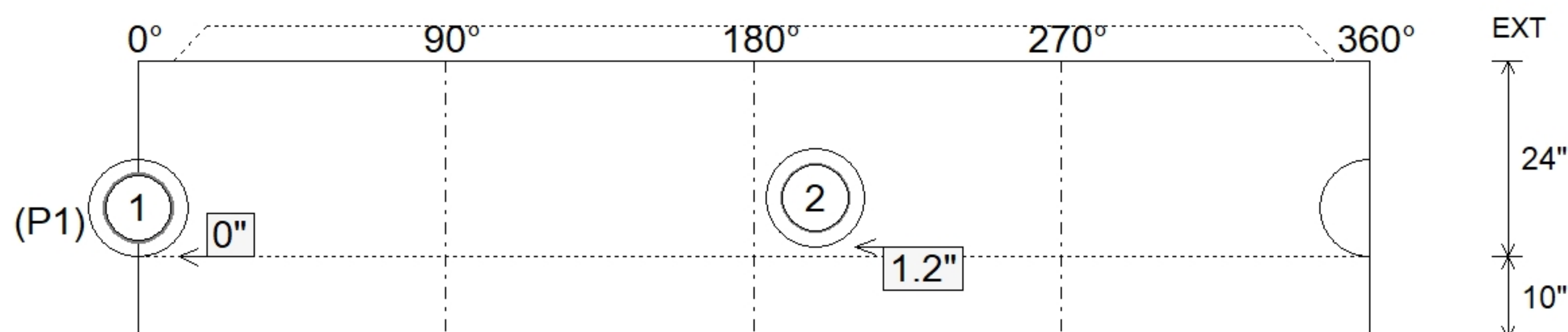
P6) 24" - CASTING HEIGHT - 7"	0 lb
P5) 48" - CON CONE w/24" HOLE F/G - 36"	2252 lb
P4) 48" - MH RISER T/G - 72"	5030 lb
P3) 48" - MH RISER T/G - 72"	5030 lb
P2) 48" - MH RISER T/G - 72"	5030 lb
P1) 48" - MH BASE (10"F) Custom Ht T/n - 24"	3798 lb
1) 48" - MH INVERT CHANNEL - FULL HEIGHT	1440 lb
1) CASTING - HOE MC-375 F/C Sanitary	271 lb
4) 48" - Conseal CS-102 1.00" (Double)	0 lb
2) PSX - 12-08 DD	16 lb
22) MH Step ML-10-TDS-NCR - 10"	0 lb
<b>Structure Total:</b>	<b>22867 lb</b>



Position	Elev	Angle	Pipe	Pipe OD	Hole	Connector	Up (L)	Ref
Rim	906.44'							
Reducer								
Invert 1	882.88'	0°	8" PVC SDR26	8.5"	12"	PSX 12-08 DD	0"	P1
Invert 2	882.98'	198°	8" PVC SDR26	8.5"	12"	PSX 12-08 DD	1.2"	P1
Invert 3								
Invert 4								
Invert 5								
Invert 6								
Invert 7								
Invert 8								



**Default - Interior Dimensions**



Submittal Drawing  
3/2/2026 1:33:47 PM

SUBMITTAL  
APPROVED BY: