

Structure ID: MH-306-20 SS-MH

P4 MH048RS72

MH RISER T/G

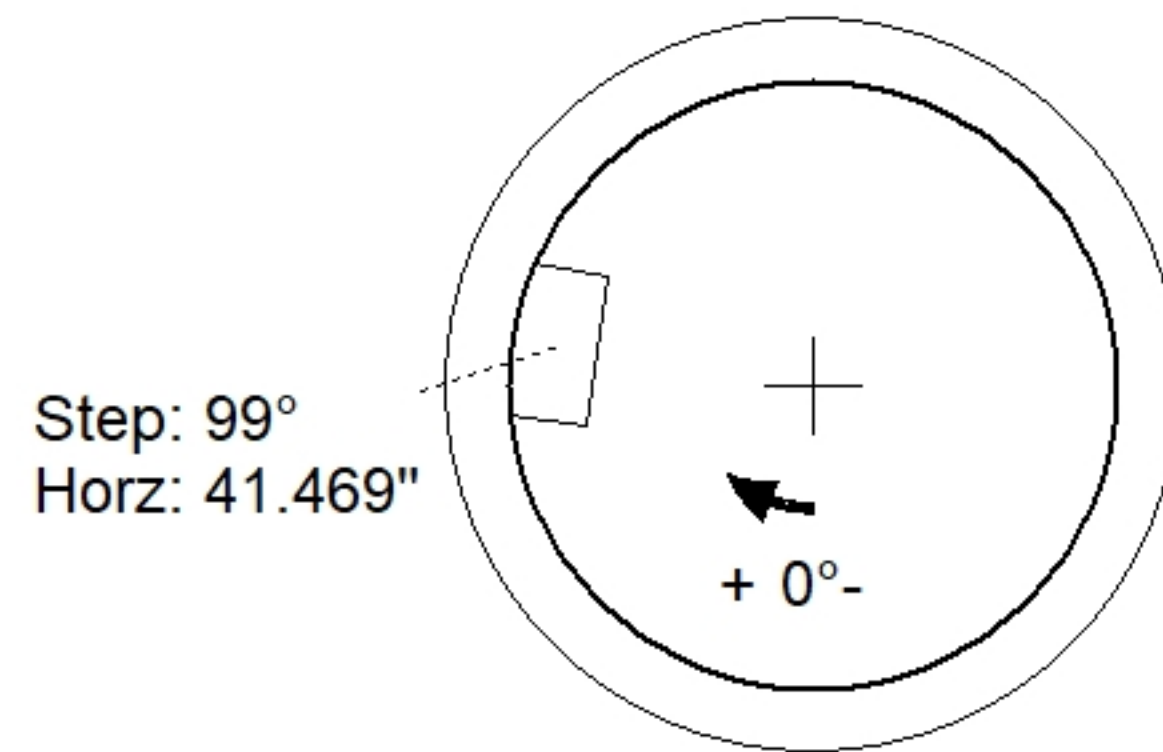
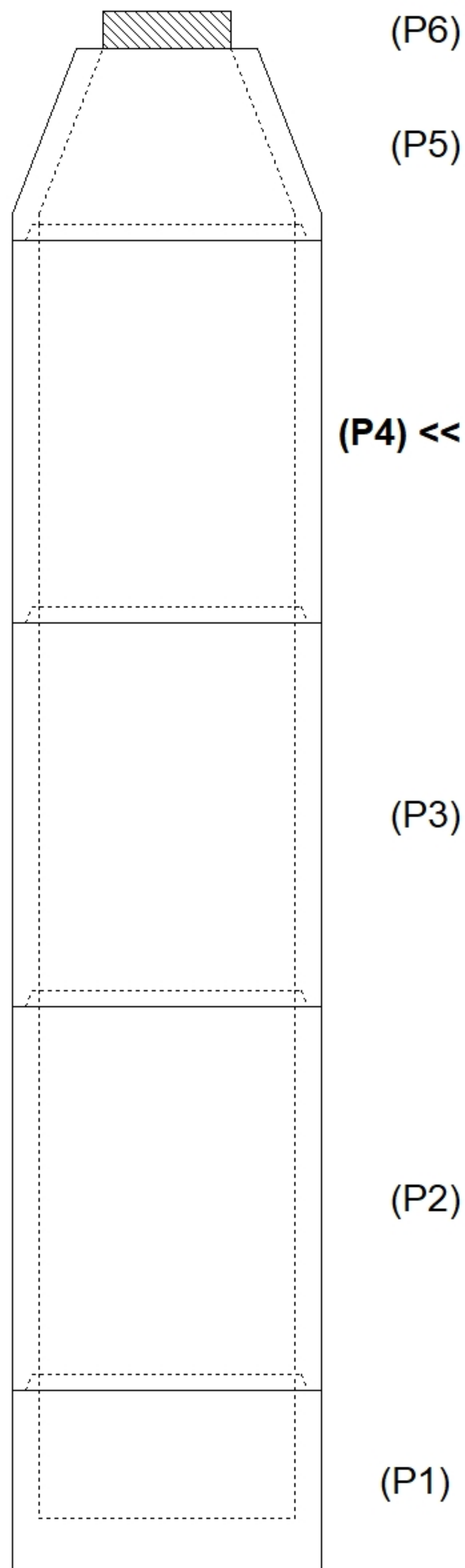
P6) 24" - CASTING HEIGHT - 7" P5) 48" - CON CONE w/24" HOLE F/G - 36" P4) 48" - MH RISER T/G - 72" P3) 48" - MH RISER T/G - 72" P2) 48" - MH RISER T/G - 72" P1) 48" - MH BASE (10"F) Custom Ht T/n - 24" 1) 48" - MH INVERT CHANNEL - FULL HEIGHT 1) CASTING - HOE MC-375 F/C Sanitary 4) 48" - Conseal CS-102 1.00" (Double) 2) PSX - 12-08 DD 22) MH Step ML-10-TDS-NCR - 10"	0 lb 2252 lb 5030 lb 5030 lb 5030 lb 3798 lb 1440 lb 271 lb 0 lb 16 lb 0 lb ----- Structure Total: 22867 lb
--	--

Structure Notes:
 PLAN LABEL: 306
 1. HOE MC-375 F/C SANITARY PROVIDED BY ICAST.
 2. PER ASTM C76 SPECIFICATIONS.
 3. CONCRETE = 4,000 PSI AT 28 DAYS.
 4. REINFORCING PER ASTM A615 (GRADE 60).
 - CONE (As .12)
 - BASE WALL W/ DBL. AS 0.12
 - FLOOR (AS .40)

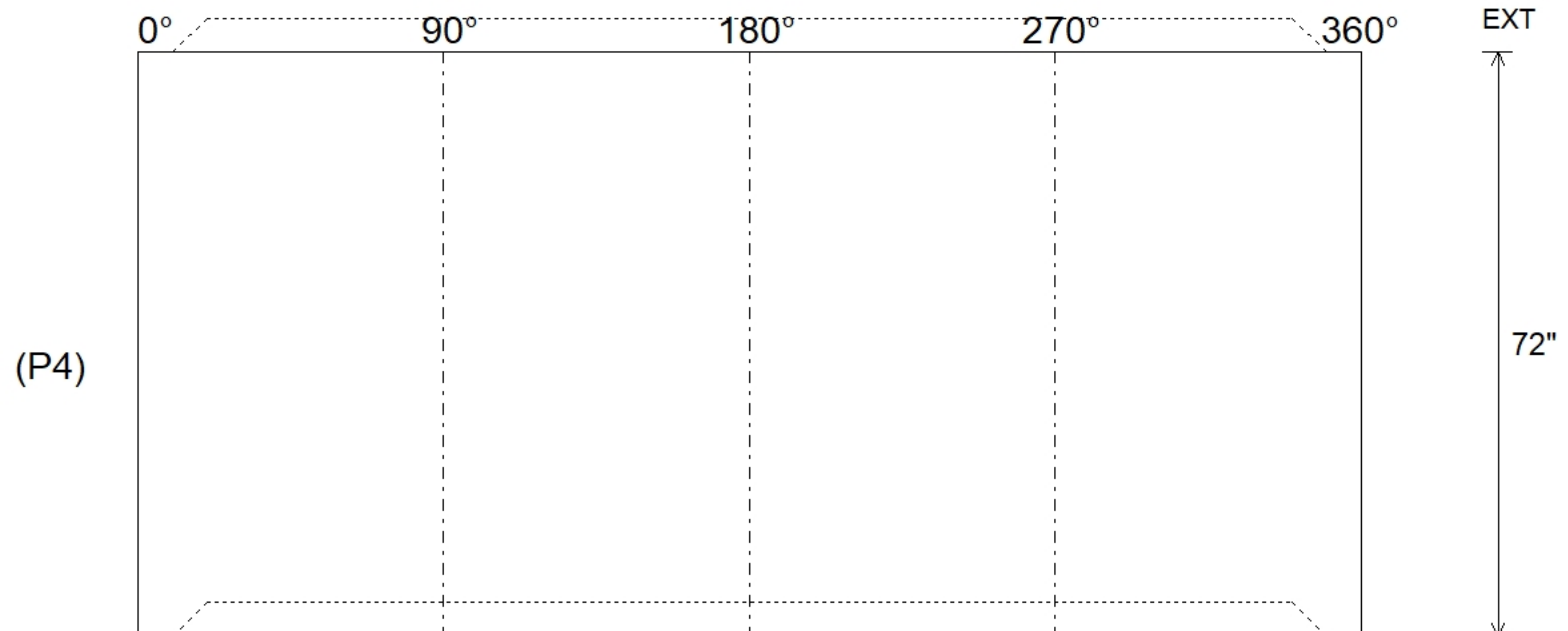
Rim: 906.44' Rim to Invert: 23.56' Slack: 1.72" Sump: 2" Step Position: 99°

Position	Elev	Angle	Ext. (cw)	Pipe	Pipe OD	Connector	Hole	Horz Size	Up (L)	Offset
Invert 1										
Invert 2										
Invert 3										
Invert 4										
Invert 5										
Invert 6										
Invert 7										
Invert 8										

RIGHT-SIDE UP VIEW (int. dimensions)



INSIDE WALL DIMENSIONS



Coating (Int):	Seam Up: Tongue Seam Dn: Groove	Wall Thickness: 5" Floor Height: 0"	Height (Int): 72" Height (Ext): 72"
Coating (Ext):			Weight (Net): 5030 lb Volume (Net): 1.28cu.yd