

Job Name: 26-1222 Woodvale Subdivision Ph.120-211-300  
 Job Location: Erlanger, KY  
 Contractor: Mago Construction Co. LLC

Plant: 100  
 2/26/2026 8:59:05 AM

Tech: Jared - A  
 PC: Celina Goff



**Structure ID: MH-306-20 SS-MH**

**P1 MH048BAVF**

**MH BASE (10"F) Custom Ht T/n**

- P6) 24" - CASTING HEIGHT - 7"
- P5) 48" - CON CONE w/24" HOLE F/G - 36"
- P4) 48" - MH RISER T/G - 72"
- P3) 48" - MH RISER T/G - 72"
- P2) 48" - MH RISER T/G - 72"
- P1) 48" - MH BASE (10"F) Custom Ht T/n - 24"
- 1) 48" - MH INVERT CHANNEL - FULL HEIGHT
- 1) CASTING - HOE MC-375 F/C Sanitary
- 4) 48" - Conseal CS-102 1.00" (Double)
- 2) PSX - 12-08 DD
- 22) MH Step ML-10-TDS-NCR - 10"

- 0 lb
- 2252 lb
- 5030 lb
- 5030 lb
- 5030 lb
- 3798 lb
- 1440 lb
- 271 lb
- 0 lb
- 16 lb
- 0 lb

**Structure Notes:**  
 PLAN LABEL: 306  
 1. HOE MC-375 F/C SANITARY PROVIDED BY ICAST.  
 2. PER ASTM C76 SPECIFICATIONS.  
 3. CONCRETE = 4,000 PSI AT 28 DAYS.  
 4. REINFORCING PER ASTM A615 (GRADE 60).  
 - CONE (As .12)  
 - BASE WALL W/ DBL. AS 0.12  
 - FLOOR (AS .40)

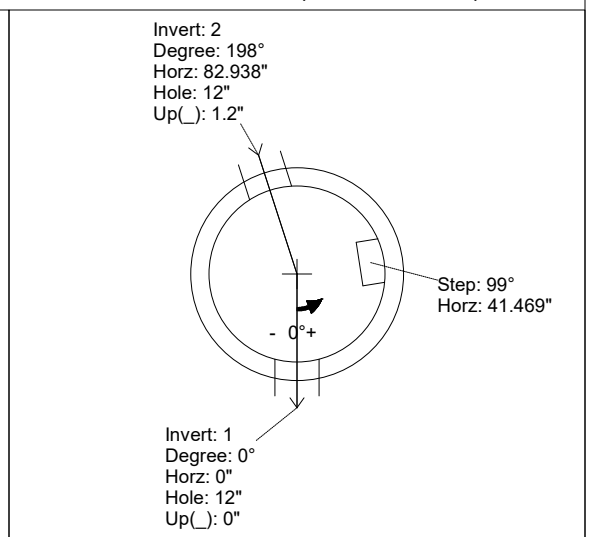
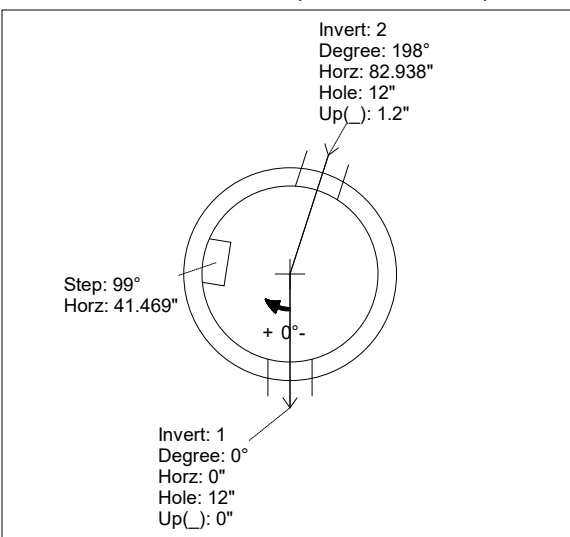
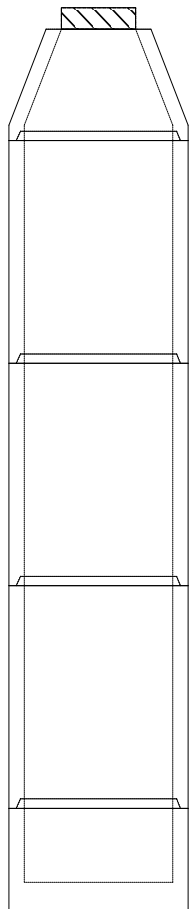
Structure Total: 22867 lb

Rim: 906.44' Rim to Invert: 23.56' Slack: 1.72" Sump: 2" Step Position: 99°

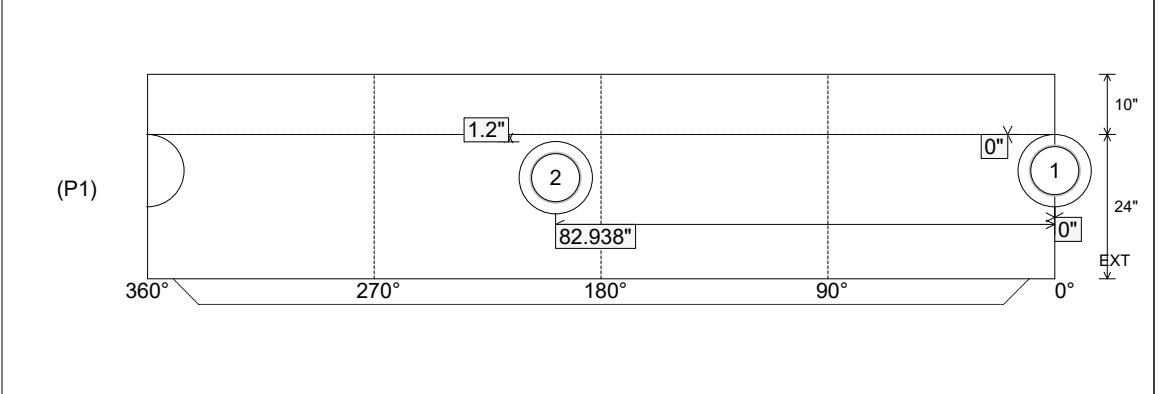
Position	Elev	Angle	Ext. (cw)	Pipe	Pipe OD	Connector	Hole	Horz Size	Up (↓)	Offset
Invert 1	882.88'	0°	0"	8" PVC SDR26	8.5"	PSX 12-08 DD	12"	12.129"	0"	0"
Invert 2	882.98'	198°	100.217"	8" PVC SDR26	8.5"	PSX 12-08 DD	12"	12.129"	1.2"	0"
Invert 3										
Invert 4										
Invert 5										
Invert 6										
Invert 7										
Invert 8										

RIGHT-SIDE UP VIEW (int. dimensions)

UPSIDE-DOWN VIEW (int. dimensions)



INSIDE WALL DIMENSIONS



Coating (Int):  
 Coating (Ext):

Seam Up: Tongue  
 Seam Dn: n/a

Wall Thickness: 5"  
 Floor Height: 10"

Height (Int): 24"  
 Height (Ext): 34"

Weight (Net): 3798 lb  
 Volume (Net): 0.97cu.yd

Job Name: 26-1222 Woodvale Subdivision Ph.120-211-300  
 Job Location: Erlanger, KY  
 Contractor: Mago Construction Co. LLC

Plant: 100  
 2/26/2026 8:59:05 AM

Tech: Jared - A  
 PC: Celina Goff



**Structure ID: MH-306-20 SS-MH**

**P1 MH048BAVF**

**MH BASE (10"F) Custom Ht T/n**

- P6) 24" - CASTING HEIGHT - 7"
- P5) 48" - CON CONE w/24" HOLE F/G - 36"
- P4) 48" - MH RISER T/G - 72"
- P3) 48" - MH RISER T/G - 72"
- P2) 48" - MH RISER T/G - 72"
- P1) 48" - MH BASE (10"F) Custom Ht T/n - 24"
- 1) 48" - MH INVERT CHANNEL - FULL HEIGHT
- 1) CASTING - HOE MC-375 F/C Sanitary
- 4) 48" - Conseal CS-102 1.00" (Double)
- 2) PSX - 12-08 DD
- 22) MH Step ML-10-TDS-NCR - 10"

- 0 lb
- 2252 lb
- 5030 lb
- 5030 lb
- 5030 lb
- 3798 lb
- 1440 lb
- 271 lb
- 0 lb
- 16 lb
- 0 lb

Structure Total: 22867 lb

Structure Notes:

PLAN LABEL: 306

1. HOE MC-375 F/C SANITARY PROVIDED BY ICAST.
  2. PER ASTM C76 SPECIFICATIONS.
  3. CONCRETE = 4,000 PSI AT 28 DAYS.
  4. REINFORCING PER ASTM A615 (GRADE 60).
- CONE (As .12)
  - BASE WALL W/ DBL. AS 0.12
  - FLOOR (AS .40)

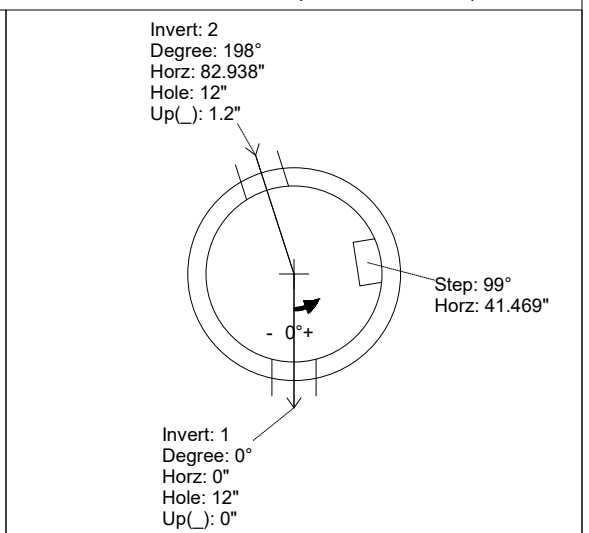
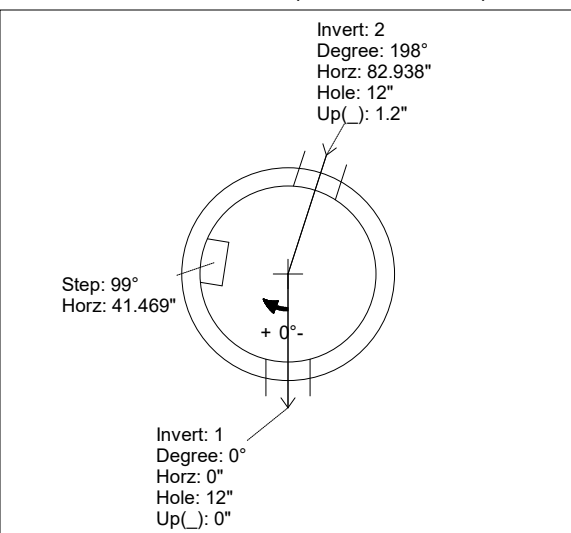
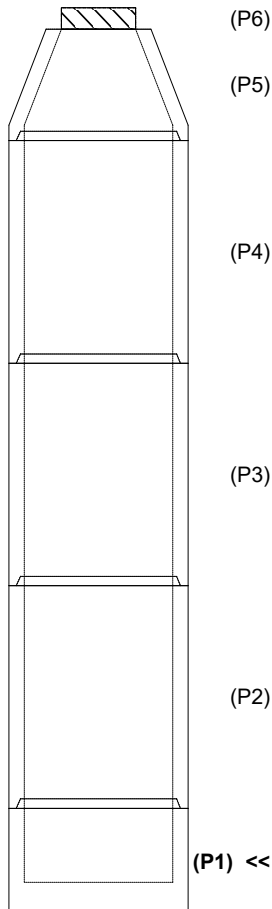
Invert channel drawing  
Full height invert

Rim: 906.44' Rim to Invert: 23.56' Slack: 1.72" Sump: 2" Step Position: 99°

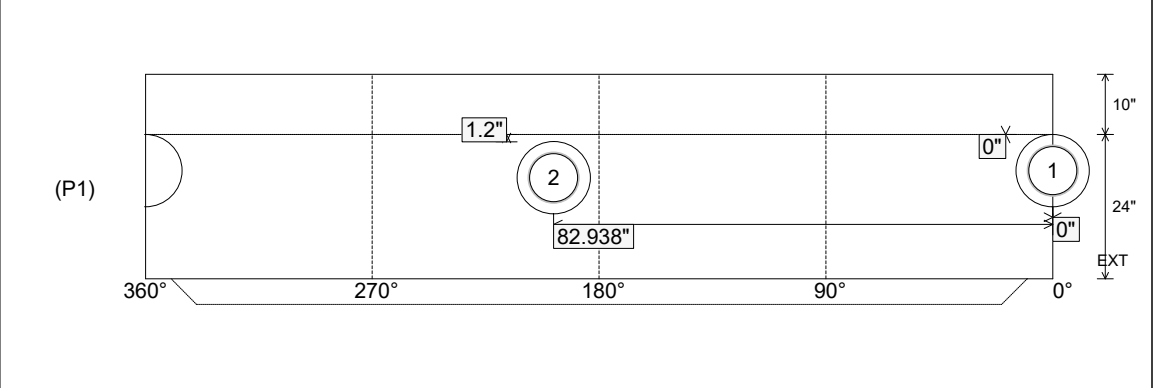
Position	Elev	Angle	Ext. (cw)	Pipe	Pipe OD	Connector	Hole	Horz Size	Up (↓)	Offset
Invert 1	882.88'	0°	0"	8" PVC SDR26	8.5"	PSX 12-08 DD	12"	12.129"	0"	0"
Invert 2	882.98'	198°	100.217"	8" PVC SDR26	8.5"	PSX 12-08 DD	12"	12.129"	1.2"	0"
Invert 3										
Invert 4										
Invert 5										
Invert 6										
Invert 7										
Invert 8										

RIGHT-SIDE UP VIEW (int. dimensions)

UPSIDE-DOWN VIEW (int. dimensions)



INSIDE WALL DIMENSIONS



Coating (Int): Coating (Ext):	Seam Up: Tongue Seam Dn: n/a	Wall Thickness: 5" Floor Height: 10"	Height (Int): 24" Height (Ext): 34"	Weight (Net): 3798 lb Volume (Net): 0.97cu.yd
----------------------------------	---------------------------------	---	--	--