

Job Name: 26-1222 Woodvale Subdivision Ph.120-211-300	Plant: 100	Tech: Jared - A	
Job Location: Erlanger, KY Contractor: Mago Construction Co. LLC	3/2/2026 1:35:26 PM	PC: Celina Goff	

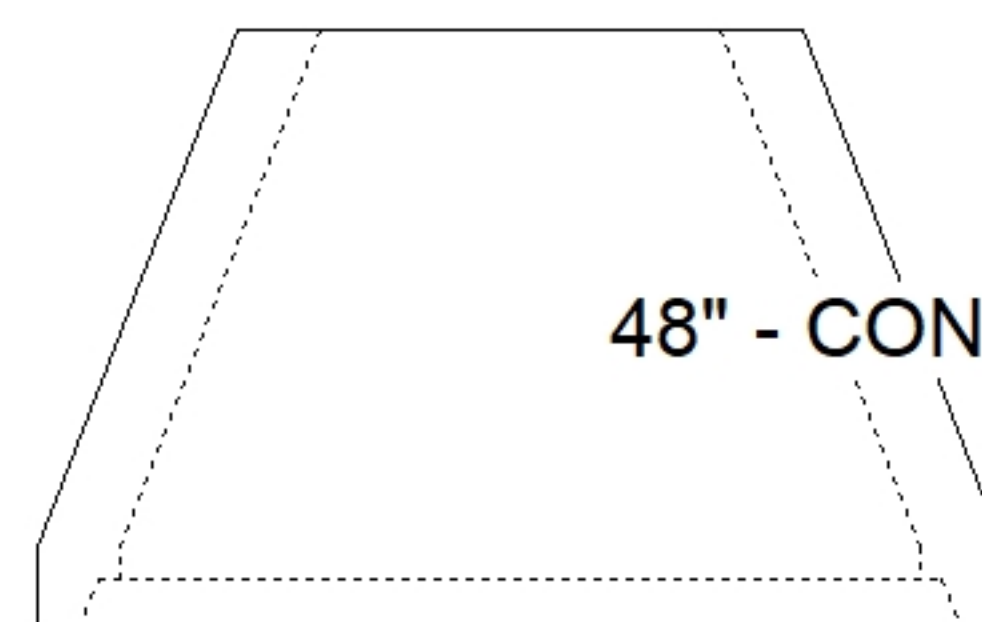
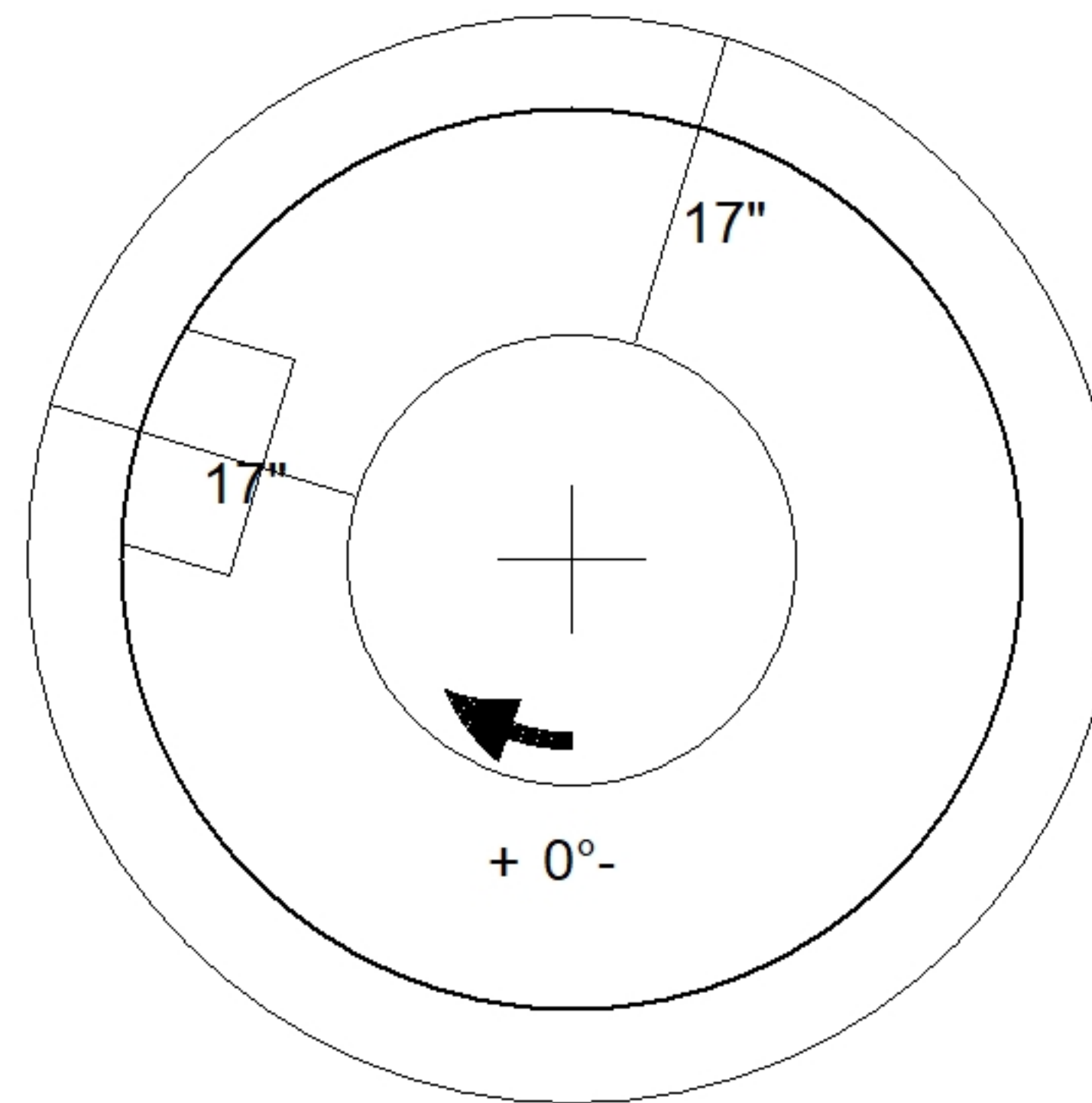
**Structure ID: MH-305-19 SS-MH**

**P5 MH048CCN36**

**CON CONE w/24" HOLE F/G**

P6) 24" - CASTING HEIGHT - 7"	0 lb
P5) 48" - CON CONE w/24" HOLE F/G - 36"	2252 lb
P4) 48" - MH RISER T/G - 36"	2515 lb
P3) 48" - MH RISER T/G - 72"	5030 lb
P2) 48" - MH RISER T/G - 72"	5030 lb
P1) 48" - MH BASE (08"F) T/n - 24"	3354 lb
1) 48" - MH INVERT CHANNEL - FULL HEIGHT	1440 lb
1) CASTING - HOE MC-375 F/C Sanitary	271 lb
4) 48" - Conseal CS-102 1.00" (Double)	0 lb
2) PSX - 12-08 DD	16 lb
19) MH Step ML-10-TDS-NCR - 10"	0 lb
<b>Structure Total:</b>	<b>19908 lb</b>

**Structure Notes:**  
**PLAN LABEL: 305**  
 1. HOE MC-375 F/C SANITARY PROVIDED BY ICAST.  
 2. PER ASTM C76 SPECIFICATIONS.  
 3. CONCRETE = 4,000 PSI AT 28 DAYS.  
 4. REINFORCING PER ASTM A615 (GRADE 60).  
 - CONE (As .12)  
 - BASE WALL W/ DBL. AS 0.12  
 - FLOOR (AS .40)



48" - CON CONE w/24" HOLE F/G - 36" - (P5)

Coating (Int):	Seam Up: Flat	Wall Thickness: 5"	Height (Ext): 36"	Weight (Net): 2252 lb
Coating (Ext):	Seam Dn: Groove			Volume (Net): 0.57cu.yd