

**Job Name: 26-1222 Woodvale Subdivision Ph.120-211-300**  
**Job Location: Erlanger, KY**  
**Contractor: Mago Construction Co. LLC**

PC: Celina Goff  
 TECH: Jared - A  
 Plant: 100



Structure ID: MH-24-61 MH3

Spec: Storm  
 Type: STM.MH (Recessed pipe)  
 Size: 48"

Rim: 850.99'  
 Invert: 847.02'  
 Rim to Invert: 3.97'

Sump: 0"  
 Floor (Top): 847.02'  
 Floor Height: 6"

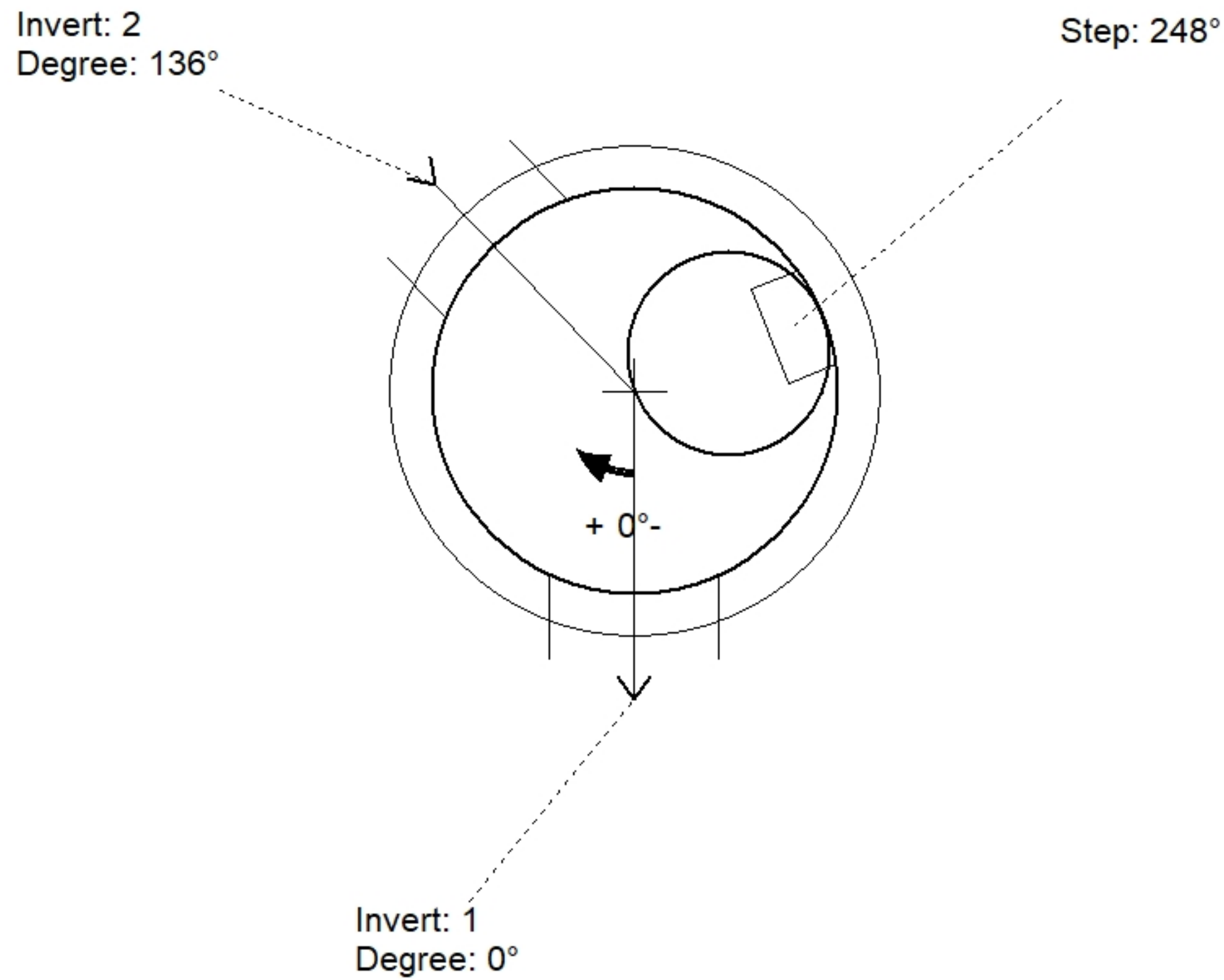
Floor (Bot): 846.52'  
 Overall Height: 4.417'  
 Slack: 0.64"

**Structure Notes:**

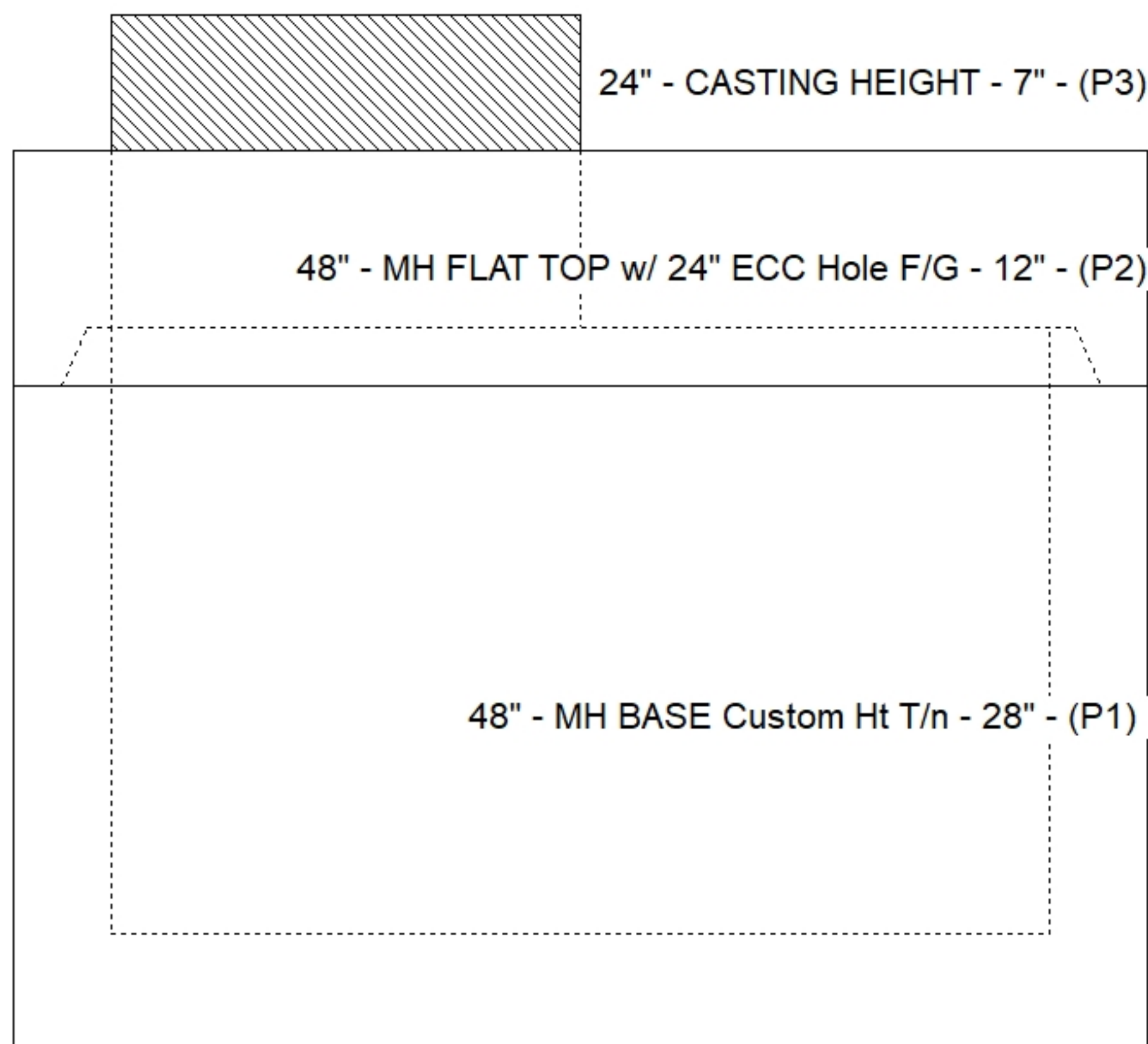
- PLAN LABEL: 24  
 1. HOE MC-375 F/C STORM PROVIDED BY ICAST.  
 2. PER ASTM C478 SPECIFICATIONS.  
 3. CONCRETE = 4,000 PSI AT 28 DAYS.  
 4. REINFORCING PER ASTM A615 (GRADE 60).  
 - TOP SLAB (As .62) #5 BARS AT 6" C.C.E.W..  
 - RISER/WALLS (As .12)  
 - FLOOR (As .31) #5 BARS AT 12" C.C.E.W.

**STRUCTURE SUMMARY:**

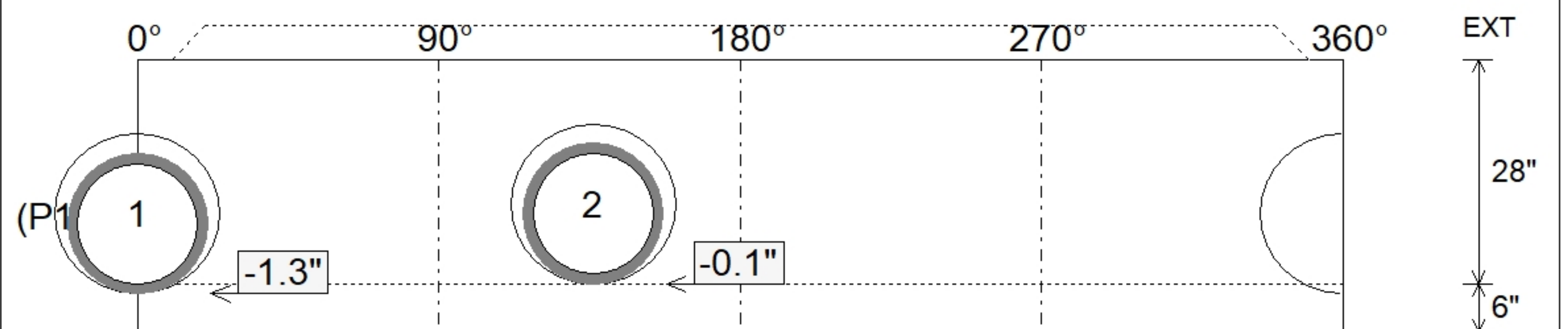
P3) 24" - CASTING HEIGHT - 7"	0 lb
P2) 48" - MH FLAT TOP w/ 24" ECC Hole F/G - 12"	1561 lb
P1) 48" - MH BASE Custom Ht T/n - 28"	3016 lb
1) CASTING - HOE MC-375 F/C Storm	271 lb
1) 48" - Conseal CS-102 1.00"	0 lb
2) Hole - 20	0 lb
2) MH Step ML-10-TDS-NCR - 10"	0 lb
<b>Structure Total:</b>	<b>4848 lb</b>



Position	Elev	Angle	Pipe	Pipe OD	Hole	Connector	Up ( )	Ref
Rim	850.99'							
Reducer								
Invert 1	847.02'	0°	15" HDPE	17.6"	20"	Hole 20	-1.3"	P1
Invert 2	847.12'	136°	15" HDPE	17.6"	20"	Hole 20	-0.1"	P1
Invert 3								
Invert 4								
Invert 5								
Invert 6								
Invert 7								
Invert 8								



**Default - Interior Dimensions**



Submittal Drawing  
 3/2/2026 1:33:59 PM

SUBMITTAL  
 APPROVED BY: