

Structure ID: MH-24-61 MH3

P1 MH048BAVF

MH BASE Custom Ht T/n

| | | |
|---|--|---|
| P3) 24" - CASTING HEIGHT - 7" P2) 48" - MH FLAT TOP w/ 24" ECC Hole F/G - 12" P1) 48" - MH BASE Custom Ht T/n - 28" 1) CASTING - HOE MC-375 F/C Storm 1) 48" - Conseal CS-102 1.00" 2) Hole - 20 2) MH Step ML-10-TDS-NCR - 10" | 0 lb 1561 lb 3016 lb 271 lb 0 lb 0 lb 0 lb ----- 4848 lb | Structure Notes: PLAN LABEL: 24 1. HOE MC-375 F/C STORM PROVIDED BY ICAST. 2. PER ASTM C478 SPECIFICATIONS. 3. CONCRETE = 4,000 PSI AT 28 DAYS. 4. REINFORCING PER ASTM A615 (GRADE 60). - TOP SLAB (As .62) #5 BARS AT 6" C.C.E.W.. - RISER/WALLS (As .12) - FLOOR (As .31) #5 BARS AT 12" C.C.E.W. |
|---|--|---|

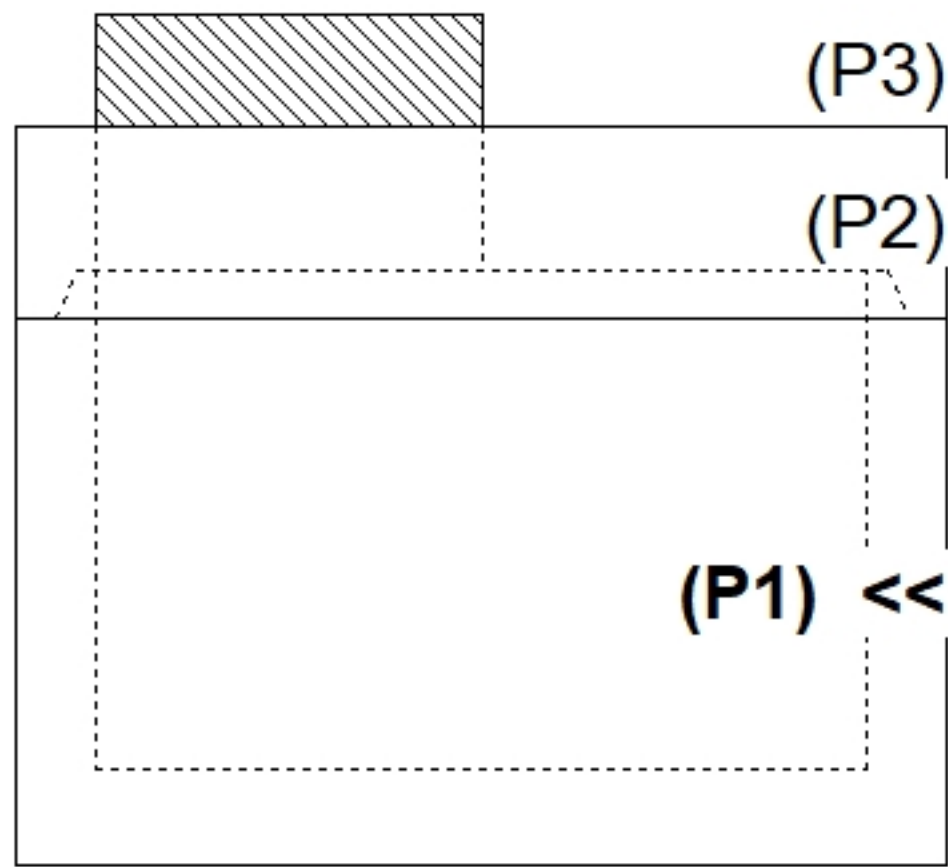
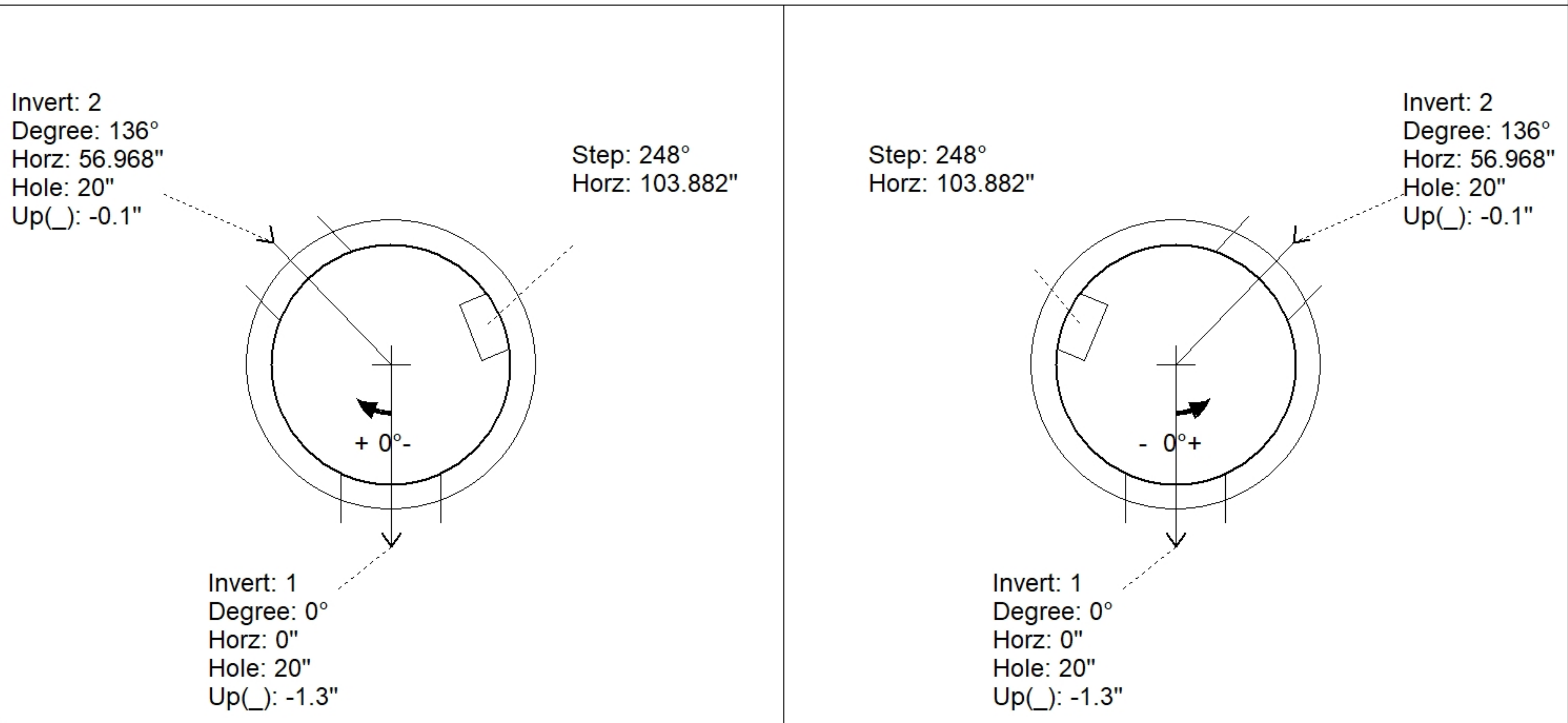
Structure Total: 4848 lb

Rim: 850.99' Rim to Invert: 3.97' Slack: 0.64" Sump: 0" Step Position: 248°

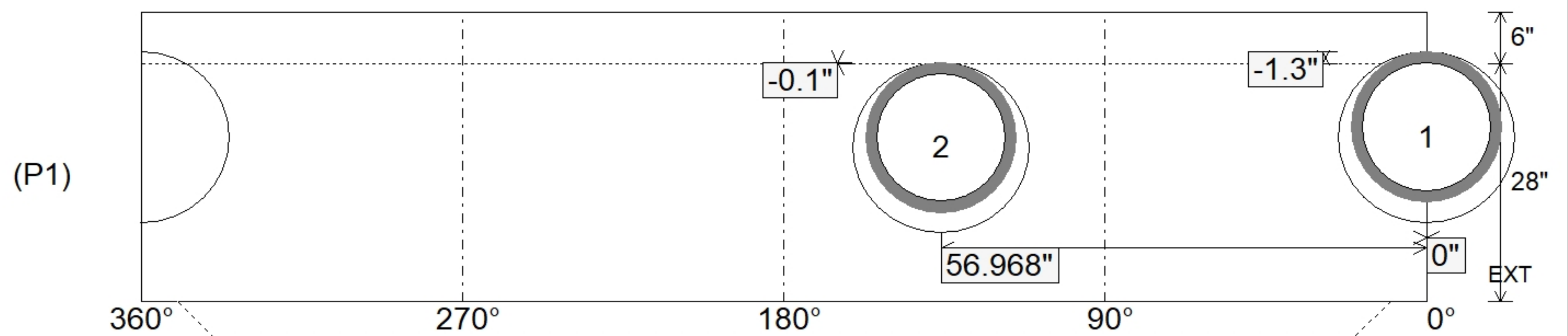
| Position | Elev | Angle | Ext. (cw) | Pipe | Pipe OD | Connector | Hole | Horz Size | Up () | Offset |
|----------|---------|-------|-----------|----------|---------|-----------|------|-----------|--------|--------|
| Invert 1 | 847.02' | 0° | 0" | 15" HDPE | 17.6" | Hole 20 | 20" | 20.629" | -1.3" | 0" |
| Invert 2 | 847.12' | 136° | 68.836" | 15" HDPE | 17.6" | Hole 20 | 20" | 20.629" | -0.1" | 0" |
| Invert 3 | | | | | | | | | | |
| Invert 4 | | | | | | | | | | |
| Invert 5 | | | | | | | | | | |
| Invert 6 | | | | | | | | | | |
| Invert 7 | | | | | | | | | | |
| Invert 8 | | | | | | | | | | |

RIGHT-SIDE UP VIEW (int. dimensions)

UPSIDE-DOWN VIEW (int. dimensions)



INSIDE WALL DIMENSIONS



| | | | |
|----------------|-----------------|-------------------------|-------------------|
| Coating (Int): | Seam Up: Tongue | Wall Thickness: 5" | Height (Int): 28" |
| Coating (Ext): | Seam Dn: n/a | Floor Height: 6" | Height (Ext): 34" |
| | | Weight (Net): 3016 lb | |
| | | Volume (Net): 0.77cu.yd | |