

Job Name: 26-1222 Woodvale Subdivision Ph.120-211-300
Job Location: Erlanger, KY
Contractor: Mago Construction Co. LLC

PC: Celina Goff
 TECH: Jared - A
 Plant: 100



Structure ID: MH-101-29 SS-MH

Spec: Sanitary
 Type: SAN.MH
 Size: 48"

Rim: 857.15'
 Invert: 843.05'
 Rim to Invert: 14.1'

Sump: 3"
 Floor (Top): 842.8'
 Floor Height: 8"

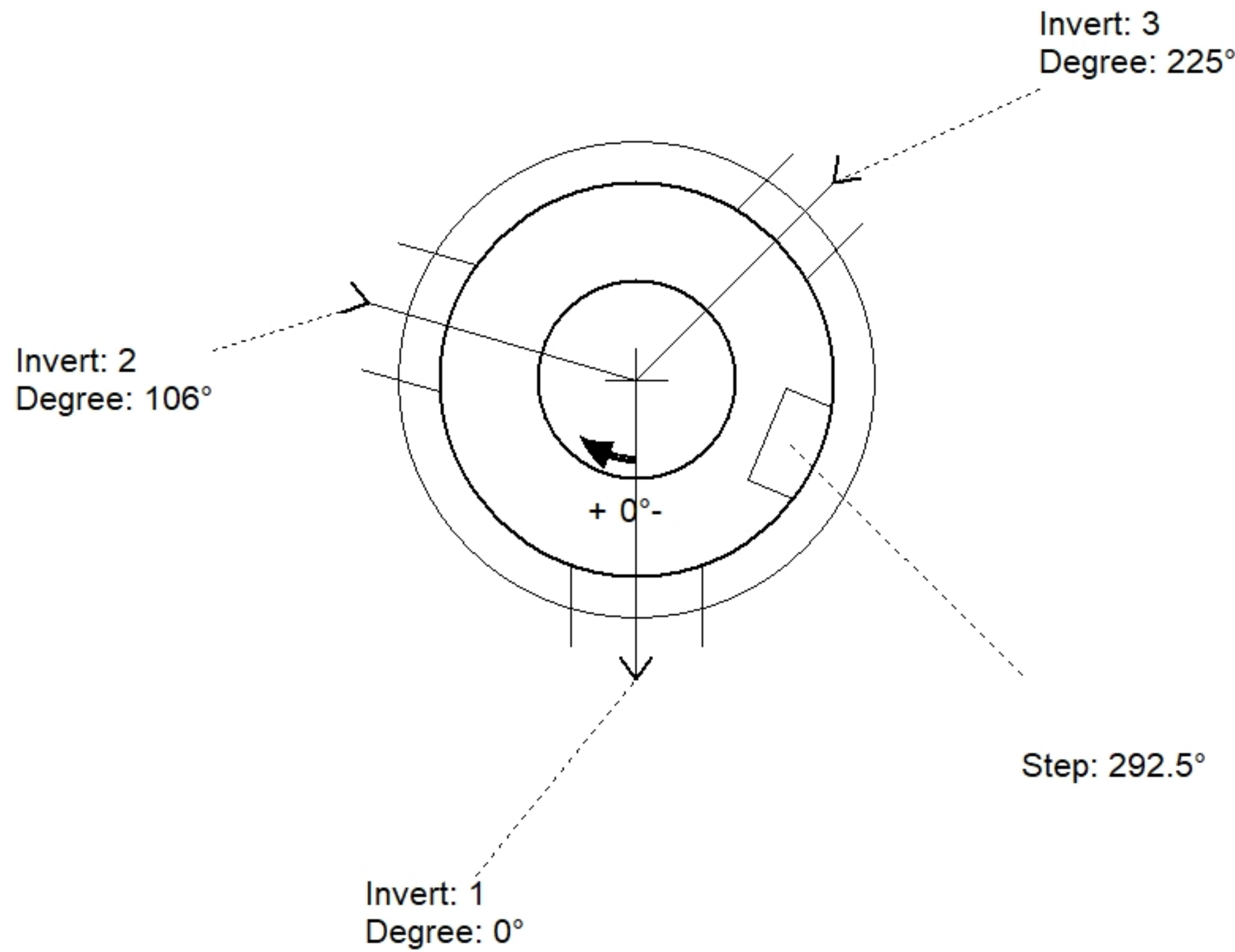
Floor (Bot): 842.133'
 Overall Height: 15'
 Slack: 0.2"

Structure Notes:

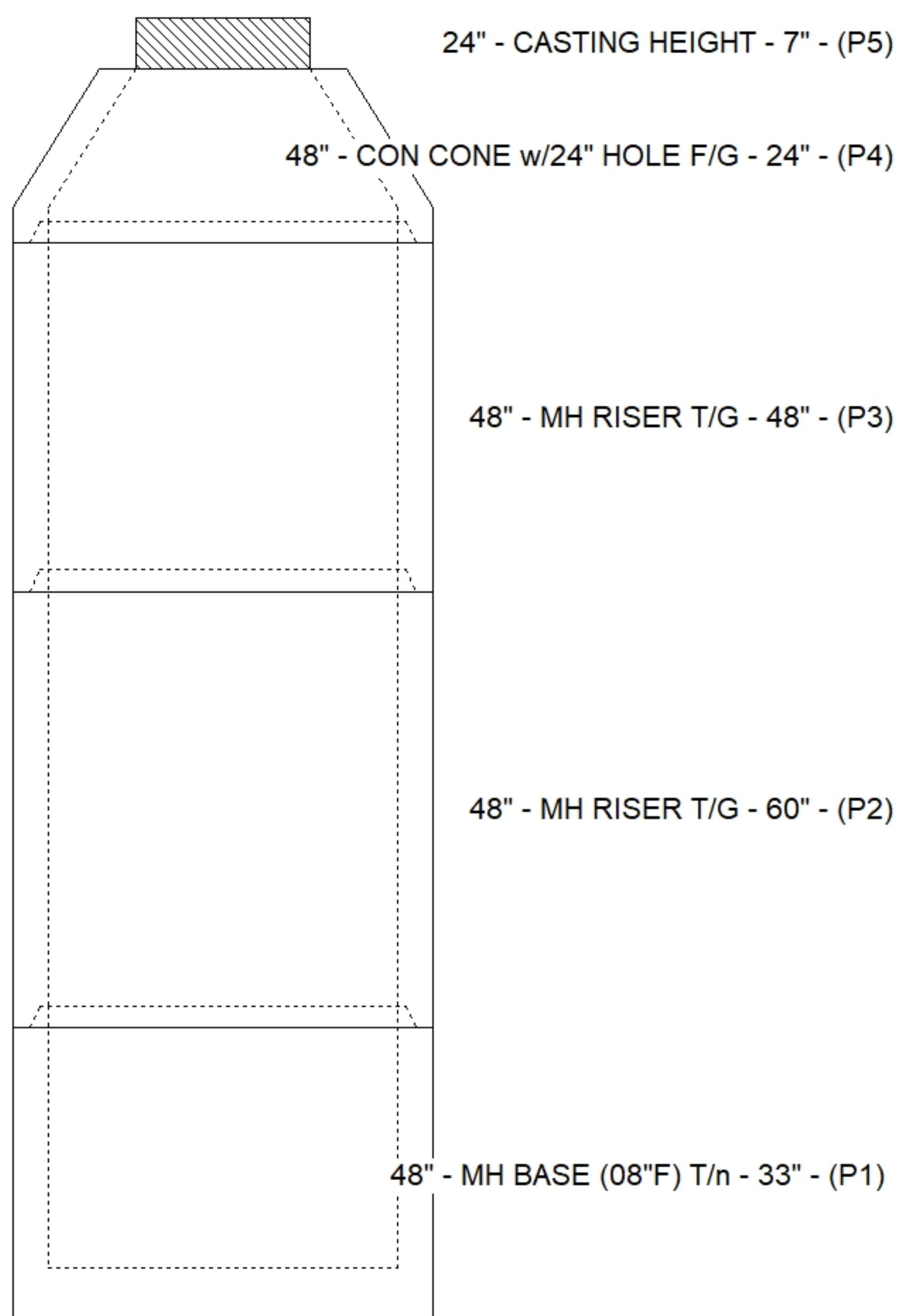
- PLAN LABEL: 101
 1. HOE MC-375 F/C SANITARY PROVIDED BY ICAST.
 2. PER ASTM C76 SPECIFICATIONS.
 3. CONCRETE = 4,000 PSI AT 28 DAYS.
 4. REINFORCING PER ASTM A615 (GRADE 60).
 - CONE (As .12)
 - BASE WALL W/ DBL. AS 0.12
 - FLOOR (AS .40)

STRUCTURE SUMMARY:

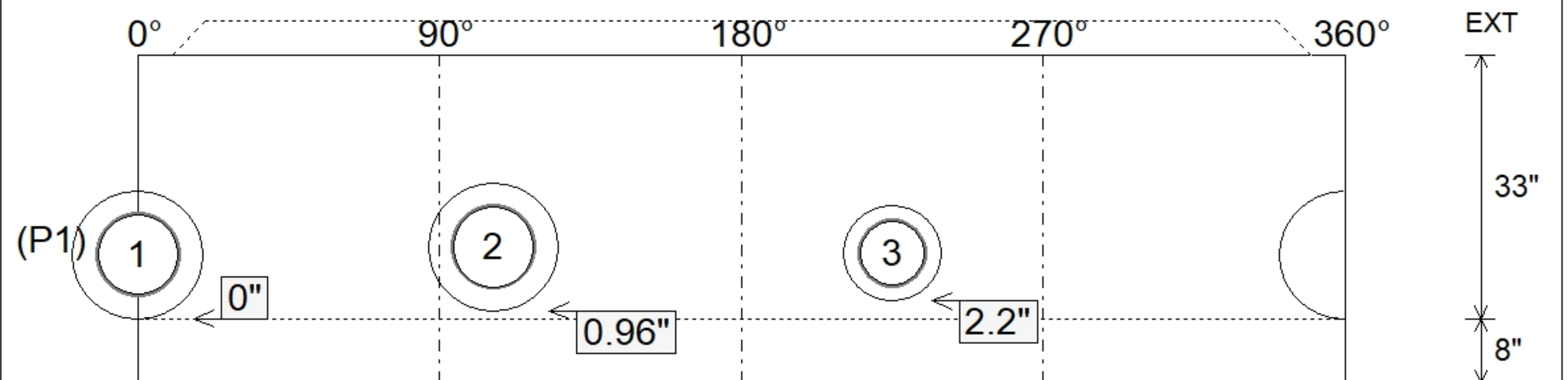
P5) 24" - CASTING HEIGHT - 7"	0 lb
P4) 48" - CON CONE w/24" HOLE F/G - 24"	2252 lb
P3) 48" - MH RISER T/G - 48"	3353 lb
P2) 48" - MH RISER T/G - 60"	4192 lb
P1) 48" - MH BASE (08"F) T/n - 33"	3860 lb
1) 48" - MH INVERT CHANNEL - FULL HEIGHT	1440 lb
1) CASTING - HOE MC-375 F/C Sanitary	271 lb
3) 48" - Conseal CS-102 1.00" (Double)	0 lb
2) PSX - 16Y DD	15 lb
1) PSX - 12-08 DD	8 lb
13) MH Step ML-10-TDS-NCR - 10"	0 lb
Structure Total:	15390 lb



Position	Elev	Angle	Pipe	Pipe OD	Hole	Connector	Up ()	Ref
Rim	857.15'							
Reducer								
Invert 1	843.05'	0°	10" PVC SDR35	10.5"	16"	PSX 16Y DD	0"	P1
Invert 2	843.13'	106°	10" PVC SDR35	10.5"	16"	PSX 16Y DD	0.96"	P1
Invert 3	843.15'	225°	8" PVC SDR35	8.5"	12"	PSX 12-08 DD	2.2"	P1
Invert 4								
Invert 5								
Invert 6								
Invert 7								
Invert 8								



Default - Interior Dimensions



Submittal Drawing
 3/2/2026 1:33:51 PM

SUBMITTAL
 APPROVED BY: