

Structure ID: MH-101-29 SS-MH

P3 MH048RS48

MH RISER T/G

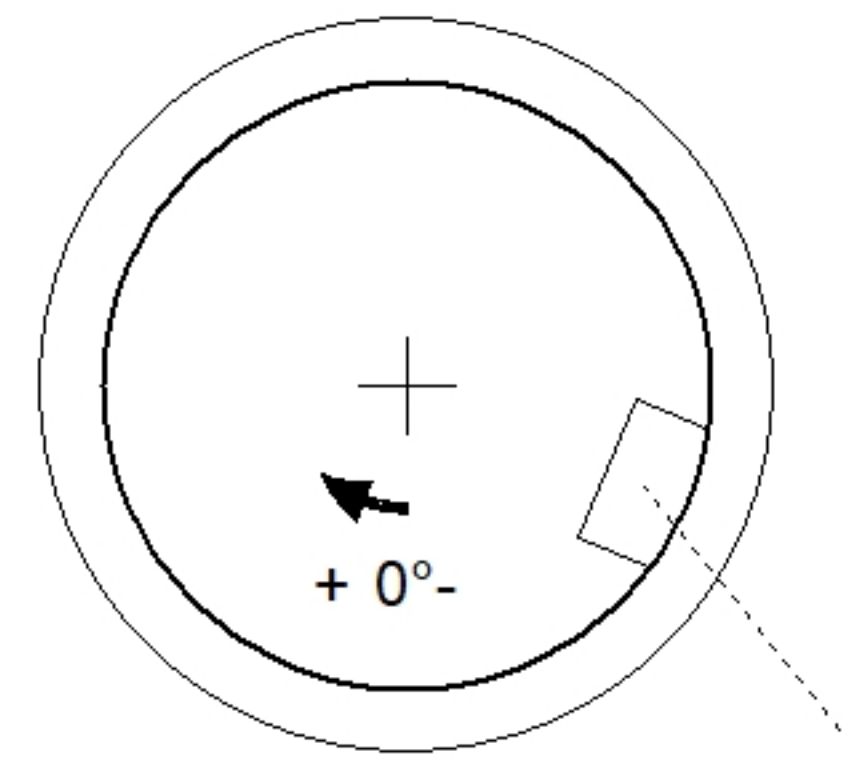
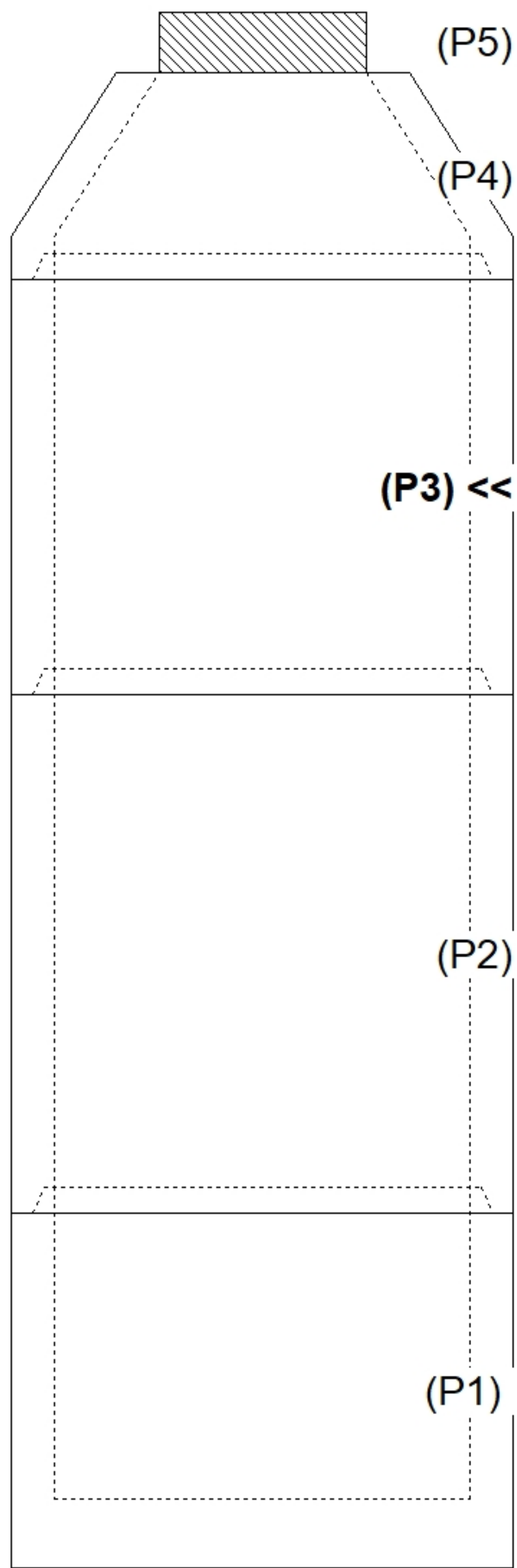
P5) 24" - CASTING HEIGHT - 7" P4) 48" - CON CONE w/24" HOLE F/G - 24" P3) 48" - MH RISER T/G - 48" P2) 48" - MH RISER T/G - 60" P1) 48" - MH BASE (08"F) T/n - 33" 1) 48" - MH INVERT CHANNEL - FULL HEIGHT 1) CASTING - HOE MC-375 F/C Sanitary 3) 48" - Conseal CS-102 1.00" (Double) 2) PSX - 16Y DD 1) PSX - 12-08 DD 13) MH Step ML-10-TDS-NCR - 10"	0 lb 2252 lb 3353 lb 4192 lb 3860 lb 1440 lb 271 lb 0 lb 15 lb 8 lb 0 lb ----- Structure Total: 15390 lb
---	---

Structure Notes:
 PLAN LABEL: 101
 1. HOE MC-375 F/C SANITARY PROVIDED BY ICAST.
 2. PER ASTM C76 SPECIFICATIONS.
 3. CONCRETE = 4,000 PSI AT 28 DAYS.
 4. REINFORCING PER ASTM A615 (GRADE 60).
 - CONE (As .12)
 - BASE WALL W/ DBL. AS 0.12
 - FLOOR (AS .40)

Rim: 857.15' Rim to Invert: 14.1' Slack: 0.2" Sump: 3" Step Position: 292.5°

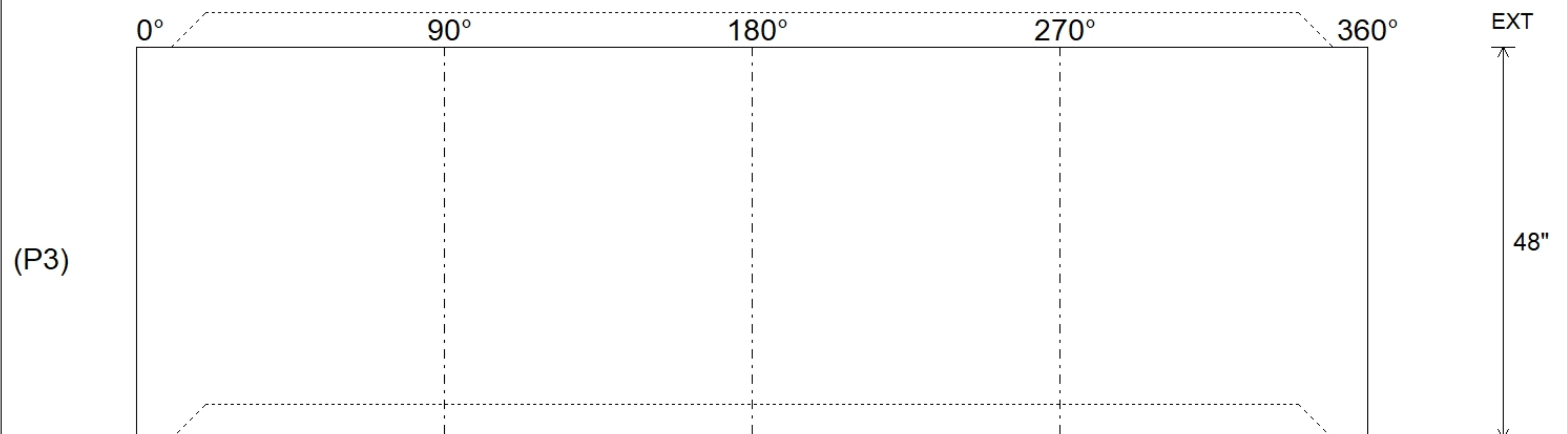
Position	Elev	Angle	Ext. (cw)	Pipe	Pipe OD	Connector	Hole	Horz Size	Up (L)	Offset
Invert 1										
Invert 2										
Invert 3										
Invert 4										
Invert 5										
Invert 6										
Invert 7										
Invert 8										

RIGHT-SIDE UP VIEW (int. dimensions)



Step: 292.5°
 Horz: 122.522"

INSIDE WALL DIMENSIONS



Coating (Int):	Seam Up: Tongue Seam Dn: Groove	Wall Thickness: 5" Floor Height: 0"	Height (Int): 48" Height (Ext): 48"
Coating (Ext):			Weight (Net): 3353 lb Volume (Net): 0.86cu.yd