

Job Name: 26-1222 Woodvale Subdivision Ph.120-211-300

Job Location: Erlanger, KY

Contractor: Mago Construction Co. LLC

PC: Celina Goff

TECH: Jared - A

Plant: 100



Structure ID: MH-100-28 SS-MH

Spec: Sanitary
Type: SAN.MH
Size: 48"

Rim: 848.94'
Invert: 841.95'
Rim to Invert: 6.99'

Sump: 3"
Floor (Top): 841.7'
Floor Height: 8"

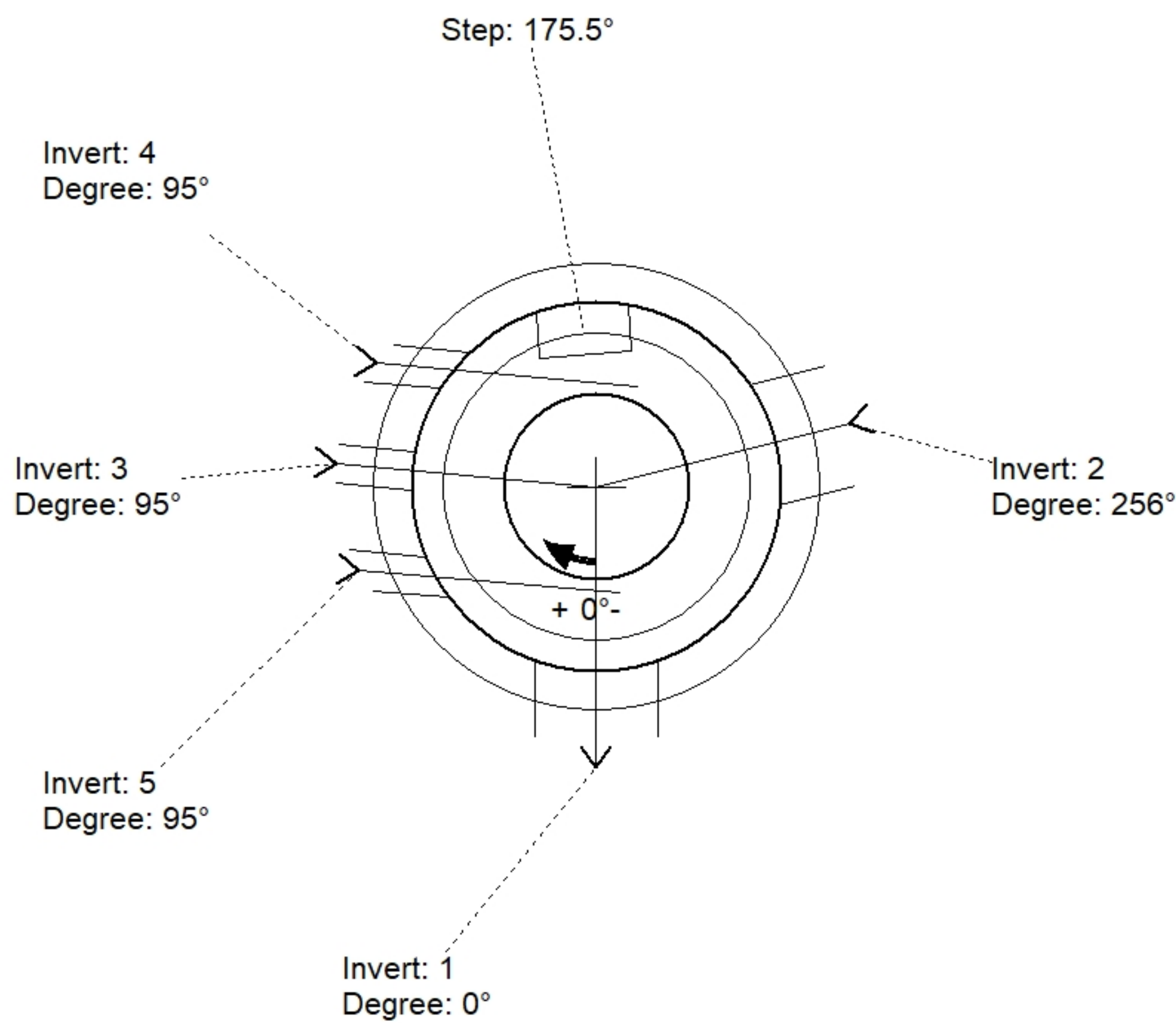
Floor (Bot): 841.033'
Overall Height: 7.75'
Slack: 1.88"

Structure Notes:

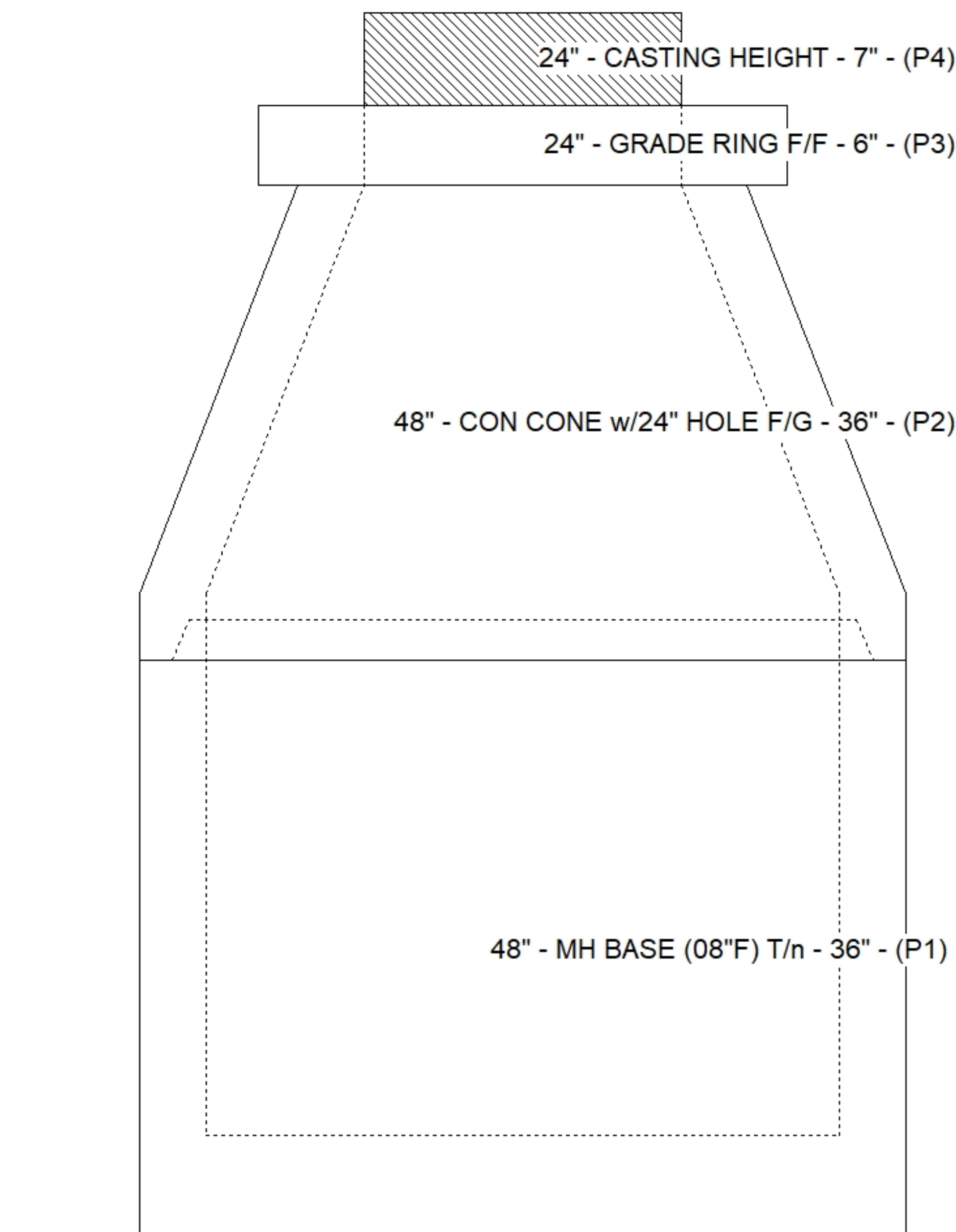
- PLAN LABEL: 100
- 1. HOE MC-375 F/C SANITARY PROVIDED BY ICAST.
- 2. PER ASTM C478 SPECIFICATIONS.
- 3. CONCRETE = 4,000 PSI AT 28 DAYS.
- 4. REINFORCING PER ASTM A615 (GRADE 60).
- CONE (As .12)
- BASE WALL W/ DBL. AS 0.12
- FLOOR (AS .40)

STRUCTURE SUMMARY:

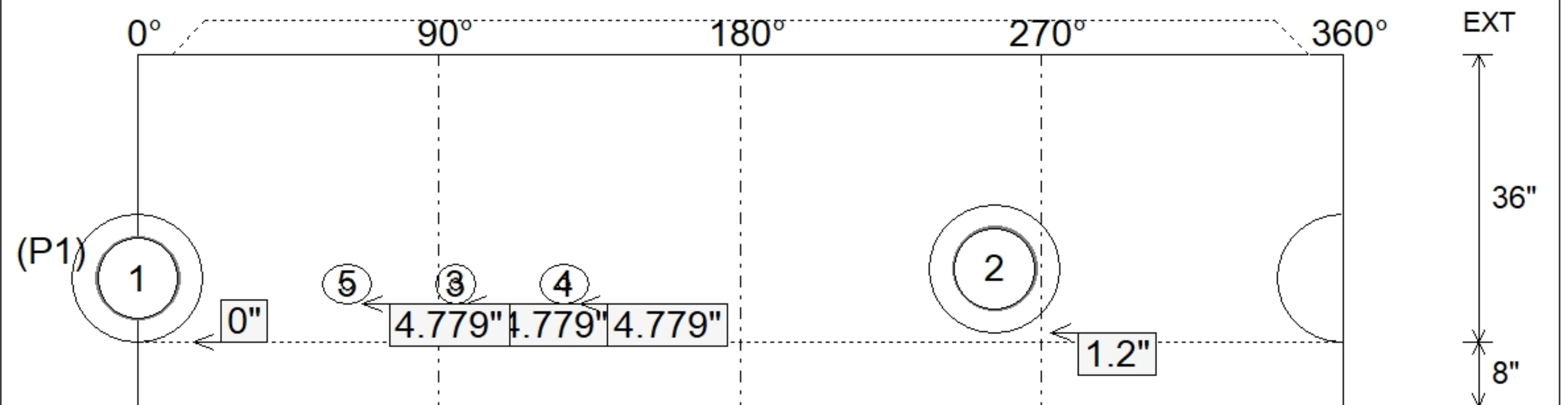
P4) 24" - CASTING HEIGHT - 7"	0 lb
P3) 24" - GRADE RING F/F - 6"	405 lb
P2) 48" - CON CONE w/24" HOLE F/G - 36"	2252 lb
P1) 48" - MH BASE (08"F) T/n - 36"	4089 lb
1) 48" - MH INVERT CHANNEL - FULL HEIGHT	1440 lb
1) CASTING - HOE MC-375 F/C Sanitary	271 lb
1) 48" - Conseal CS-102 1.00" (Double)	0 lb
2) PSX - 16Y DD	15 lb
3) Z-Lok - C107-1	3 lb
5) MH Step ML-10-TDS-NCR - 10"	0 lb
Structure Total:	8476 lb



Position	Elev	Angle	Pipe	Pipe OD	Hole	Connector	Up ()	Ref
Rim	848.94'							
Reducer								
Invert 1	841.95'	0°	10" PVC SDR35	10.5"	16"	PSX 16Y DD	0"	P1
Invert 2	842.05'	256°	10" PVC SDR35	10.5"	16"	PSX 16Y DD	1.2"	P1
Invert 3	842.25'	95°	1.25" PVC SDR11	1.66"	5"	Z-Lok C107-1	4.779"	P1
Invert 4	842.25'	95°	1.25" PVC SDR11	1.66"	5"	Z-Lok C107-1	4.779"	P1
Invert 5	842.25'	95°	1.25" PVC SDR11	1.66"	5"	Z-Lok C107-1	4.779"	P1
Invert 6								
Invert 7								
Invert 8								



Default - Interior Dimensions



Submittal Drawing
3/2/2026 1:33:50 PM

SUBMITTAL
APPROVED BY: