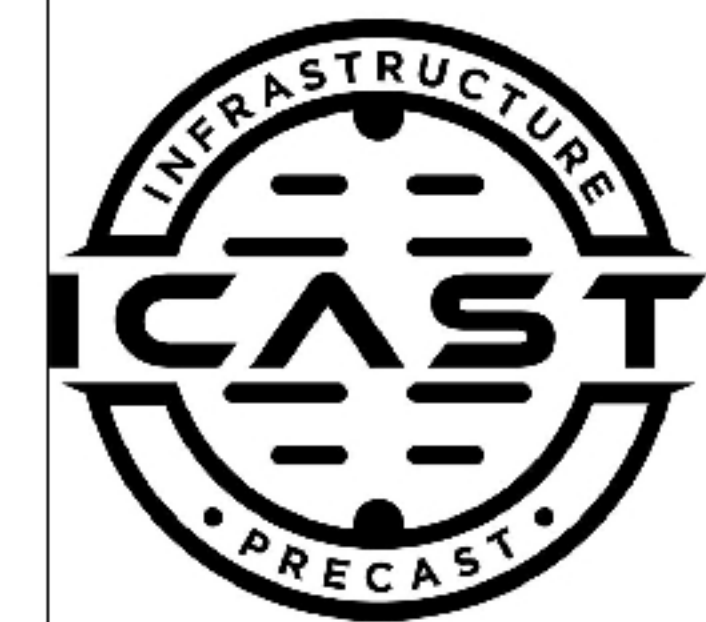


Job Name: 26-1222 Woodvale Subdivision Ph.120-211-300
 Job Location: Erlanger, KY
 Contractor: Mago Construction Co. LLC

Plant: 100
 3/2/2026 1:34:38 PM

Tech: Jared - A
 PC: Celina Goff



Structure ID: CB-91-15 CB3A

P1 MH048BA60

MH BASE T/n

P4) 24" x 24" - CASTING HEIGHT - 3.50"	0 lb
P3) 24" x 24" - GRADE RING F/F - 3"	258 lb
P2) 48" - MH FLAT TOP w/24"x24" Hole F/G - 12"	1500 lb
P1) 48" - MH BASE T/n - 60"	5266 lb
1) CASTING - HOE 410 F/G	228 lb
1) 48" - Conseal CS-102 1.00"	0 lb
2) 24" x 24" - Conseal CS-102 1.00"	0 lb
1) Hole - 20	0 lb
1) Hole - 18	0 lb
1) Hole - 6	0 lb
5) MH Step ML-10-TDS-NCR - 10"	0 lb
Structure Total:	7251 lb

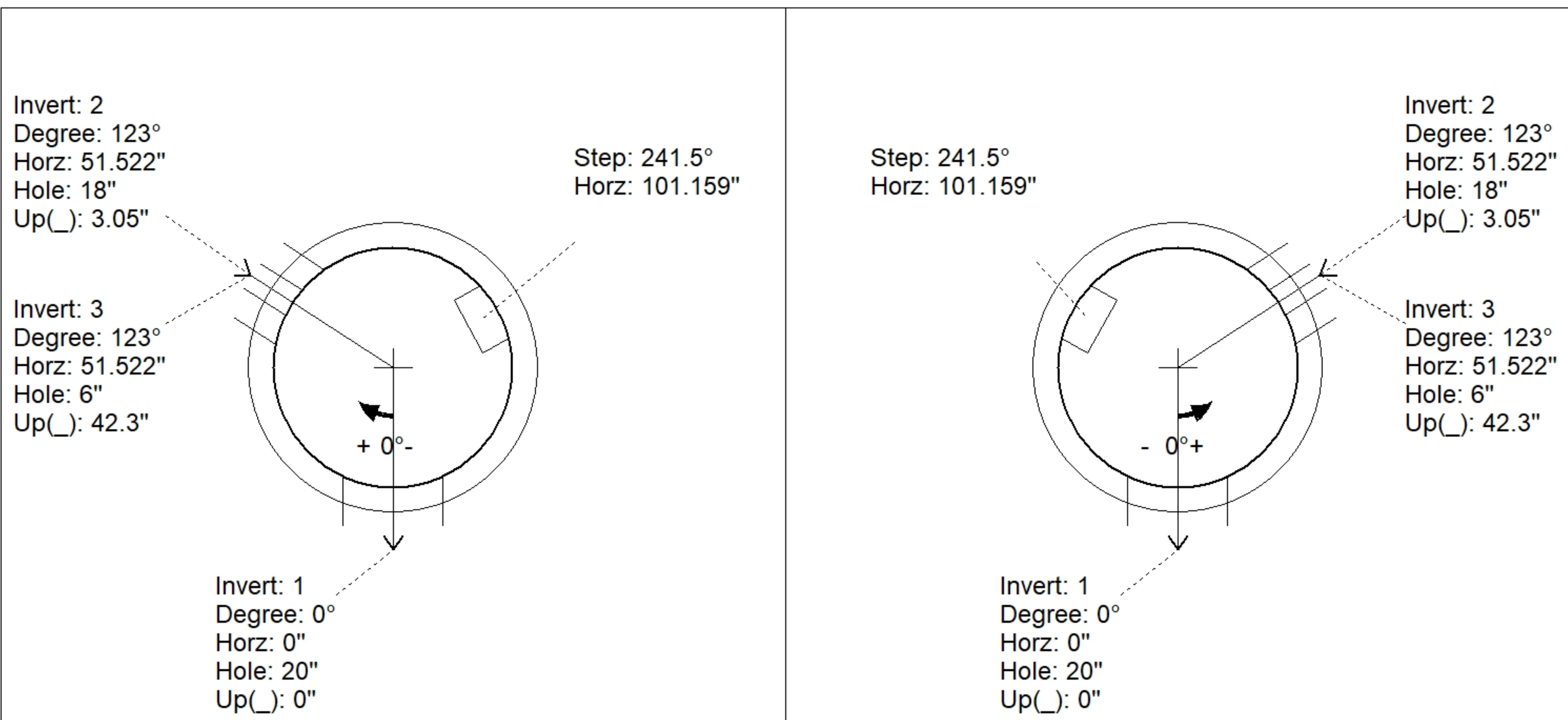
Structure Notes:
 PLAN LABEL: 91
 1. HOE 410 F/G PROVIDED BY ICAST.
 2. PER ASTM C478 SPECIFICATIONS.
 3. CONCRETE = 4,000 PSI AT 28 DAYS.
 4. REINFORCING PER ASTM A615 (GRADE 60).
 - TOP SLAB (As .62) #5 BARS AT 6" C.C.E.W.
 - RISER/WALLS (As .12)
 - FLOOR (As .31) #5 BARS AT 12" C.C.E.W.

Rim: 900.61' Rim to Invert: 6.45' Slack: 0.2" Sump: 1.3" Step Position: 241.5°

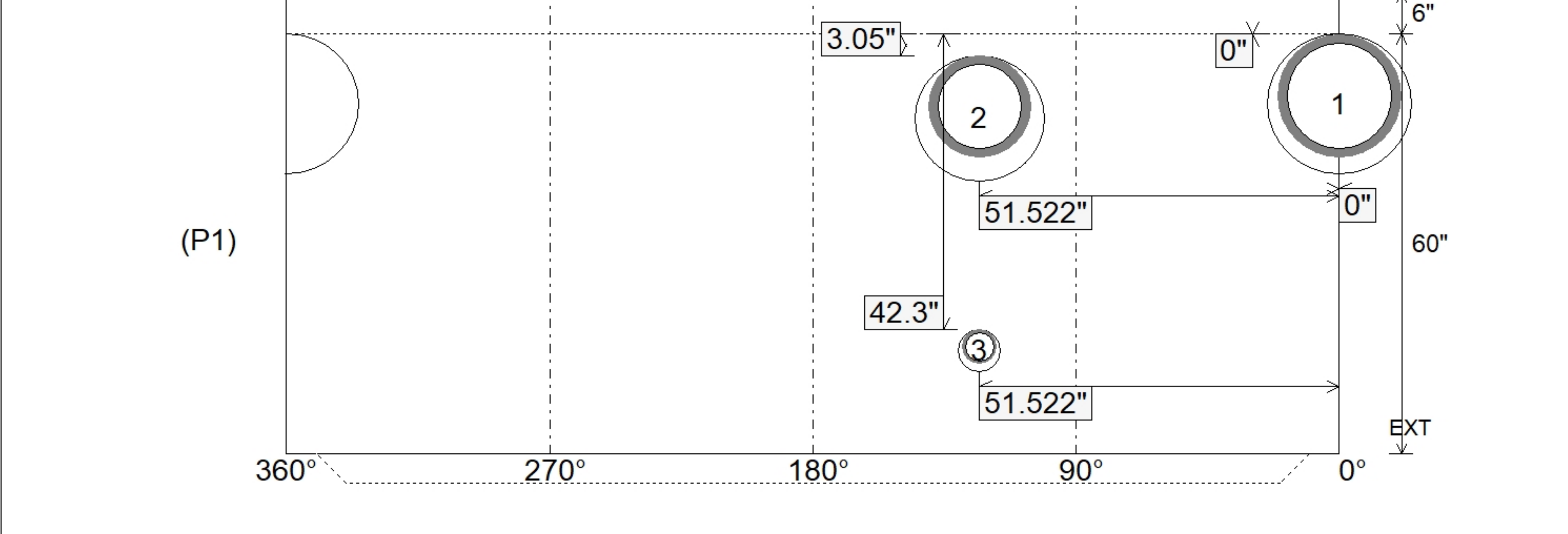
Position	Elev	Angle	Ext. (cw)	Pipe	Pipe OD	Connector	Hole	Horz Size	Up ()	Offset
Invert 1	894.16'	0°	0"	15" HDPE	17.6"	Hole 20	20"	20.629"	0"	0"
Invert 2	894.41'	123°	62.256"	12" HDPE	14.5"	Hole 18	18"	18.451"	3.05"	0"
Invert 3	897.61'	123°	62.256"	4" HDPE (perf pipe)	4.8"	Hole 6	6"	6.016"	42.3"	0"
Invert 4										
Invert 5										
Invert 6										
Invert 7										
Invert 8										

RIGHT-SIDE UP VIEW (int. dimensions)

UPSIDE-DOWN VIEW (int. dimenions)



INSIDE WALL DIMENSIONS



Coating (Int): Coating (Ext):	Seam Up: Tongue Seam Dn: n/a	Wall Thickness: 5" Floor Height: 6"	Height (Int): 60" Height (Ext): 66"	Weight (Net): 5266 lb Volume (Net): 1.34cu.yd
----------------------------------	---------------------------------	--	--	--