

Job Name: 26-1222 Woodvale Subdivision Ph.120-211-300  
 Job Location: Erlanger, KY  
 Contractor: Mago Construction Co. LLC

Plant: 100  
 2/26/2026 9:01:27 AM

Tech: Jared - A  
 PC: Celina Goff



**Structure ID: CB-90-14 CB3A**

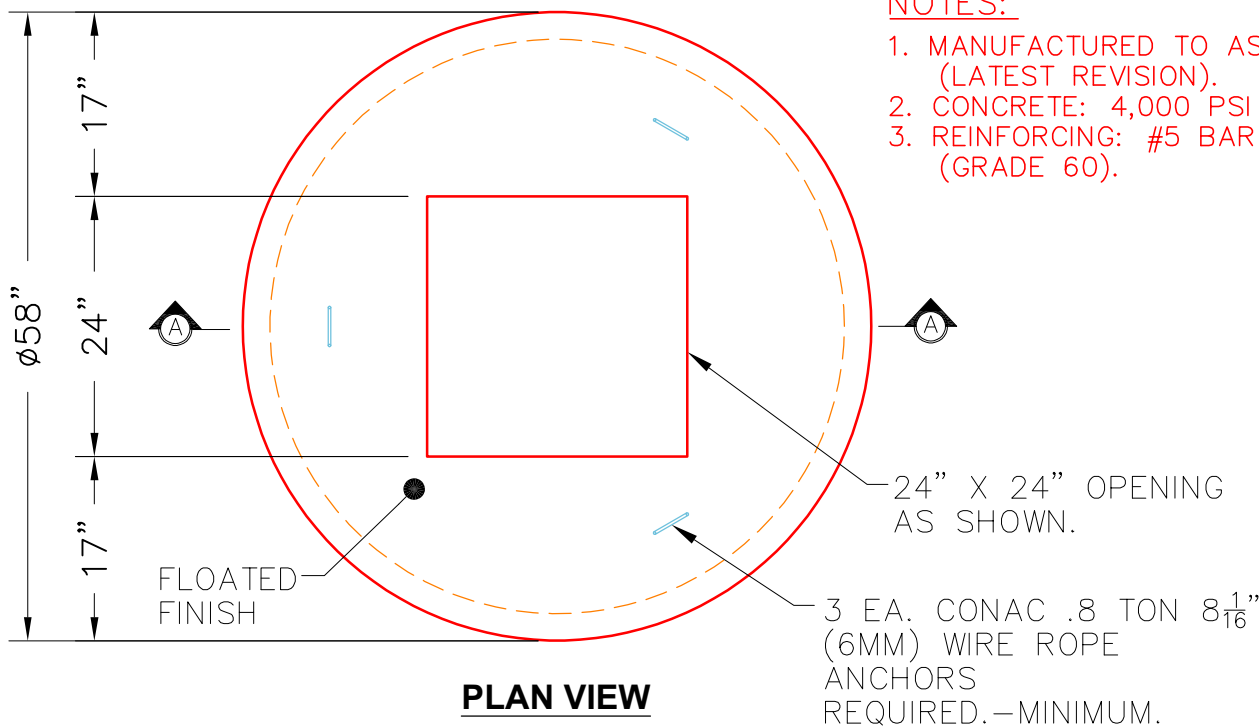
**P3 MH048LD12-24SQ**

**MH FLAT TOP w/24"x24" Hole F/G**

- P4) 24" x 24" - CASTING HEIGHT - 3.50"
- P3) 48" - MH FLAT TOP w/24"x24" Hole F/G - 12"
- P2) 48" - MH RISER T/G - 36"
- P1) 48" - MH BASE Custom Ht T/n - 41"
- 1) CASTING - HOE 410 F/G
- 2) 48" - Conseal CS-102 1.00"
- 1) 24" x 24" - Conseal CS-102 1.00"
- 2) Hole - 20
- 1) Hole - 6
- 6) MH Step ML-10-TDS-NCR - 10"

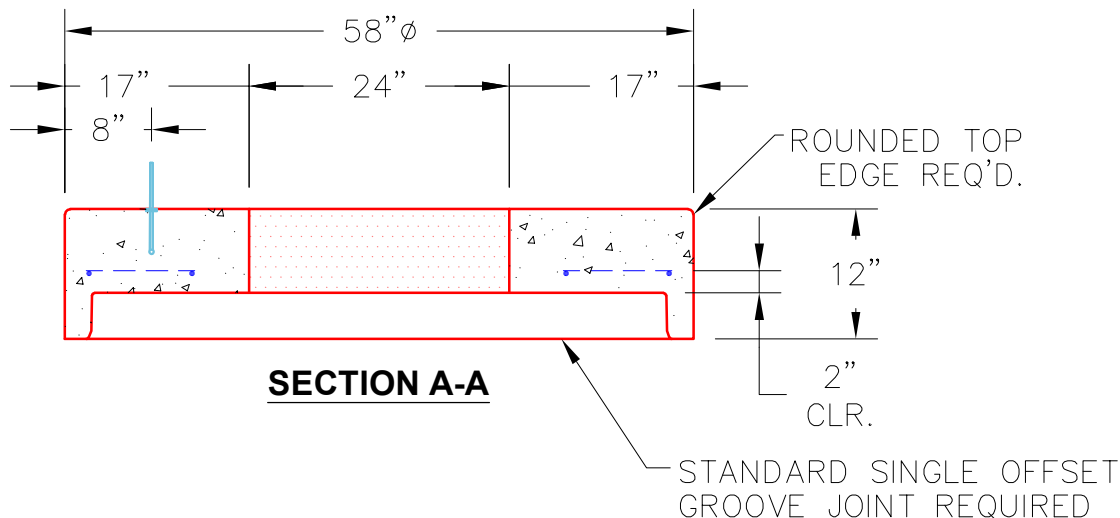
0 lb  
 1500 lb  
 2503 lb  
 3924 lb  
 228 lb  
 0 lb  
 0 lb  
 0 lb  
 0 lb  
 0 lb  
 -----  
 Structure Total: 8155 lb

**Structure Notes:**  
 PLAN LABEL: 90  
 1. HOE 410 F/G PROVIDED BY ICAST.  
 2. PER ASTM C478 SPECIFICATIONS.  
 3. CONCRETE = 4,000 PSI AT 28 DAYS.  
 4. REINFORCING PER ASTM A615 (GRADE 60).  
 - TOP SLAB (As .62) #5 BARS AT 6" C.C.E.W.  
 - RISER/WALLS (As .12)  
 - FLOOR (As .31) #5 BARS AT 12" C.C.E.W.



**NOTES:**

1. MANUFACTURED TO ASTM C-478 (LATEST REVISION).
2. CONCRETE: 4,000 PSI AT 28 DAYS.
3. REINFORCING: #5 BAR @ 6" O.C. E.W. (GRADE 60).



Coating (Int):  
 Coating (Ext):

Seam Up: Flat  
 Seam Dn: Groove

Wall Thickness: 5"

Height (Ext): 12"

Weight (Net): 1500 lb  
 Volume (Net): 0.37cu.yd