

Structure ID: CB-90-14 CB3A

P1 MH048BAVF

MH BASE Custom Ht T/n

P4) 24" x 24" - CASTING HEIGHT - 3.50" P3) 48" - MH FLAT TOP w/24"x24" Hole F/G - 12" P2) 48" - MH RISER T/G - 36" P1) 48" - MH BASE Custom Ht T/n - 41" 1) CASTING - HOE 410 F/G 2) 48" - Conseal CS-102 1.00" 1) 24" x 24" - Conseal CS-102 1.00" 2) Hole - 20 1) Hole - 6 6) MH Step ML-10-TDS-NCR - 10"	0 lb 1500 lb 2503 lb 3924 lb 228 lb 0 lb 0 lb 0 lb 0 lb 0 lb 0 lb ----- Structure Total: 8155 lb
--	--

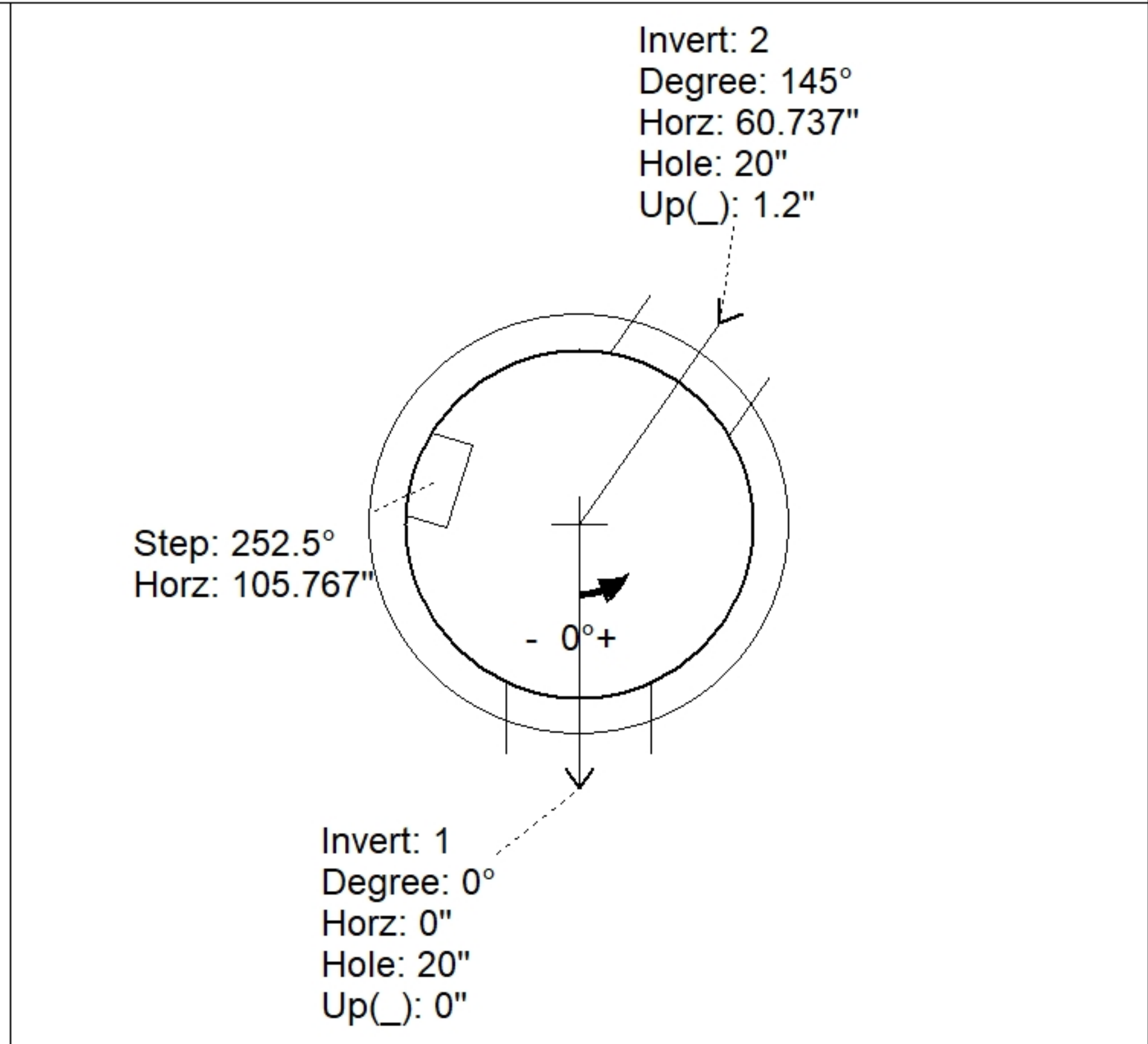
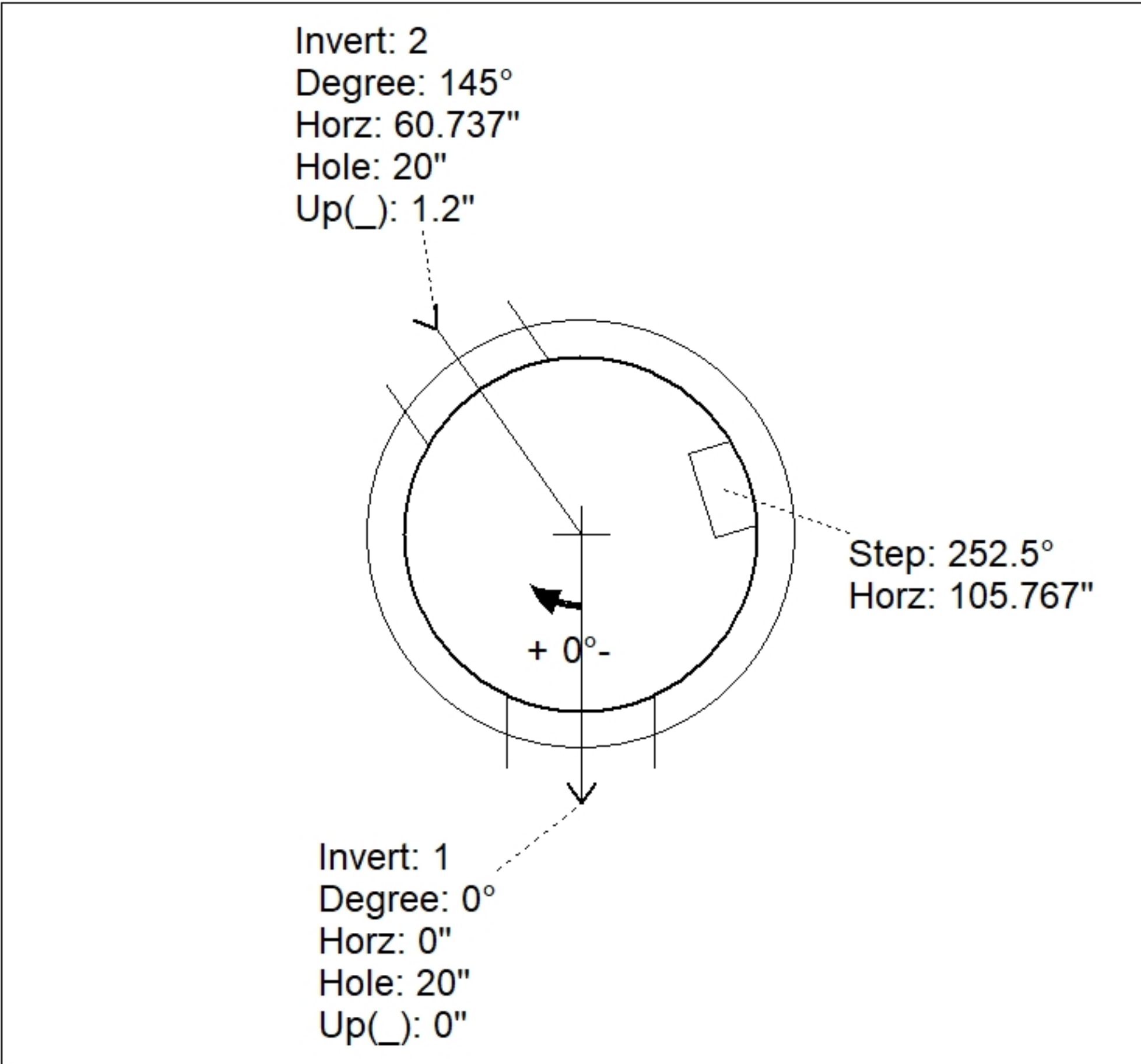
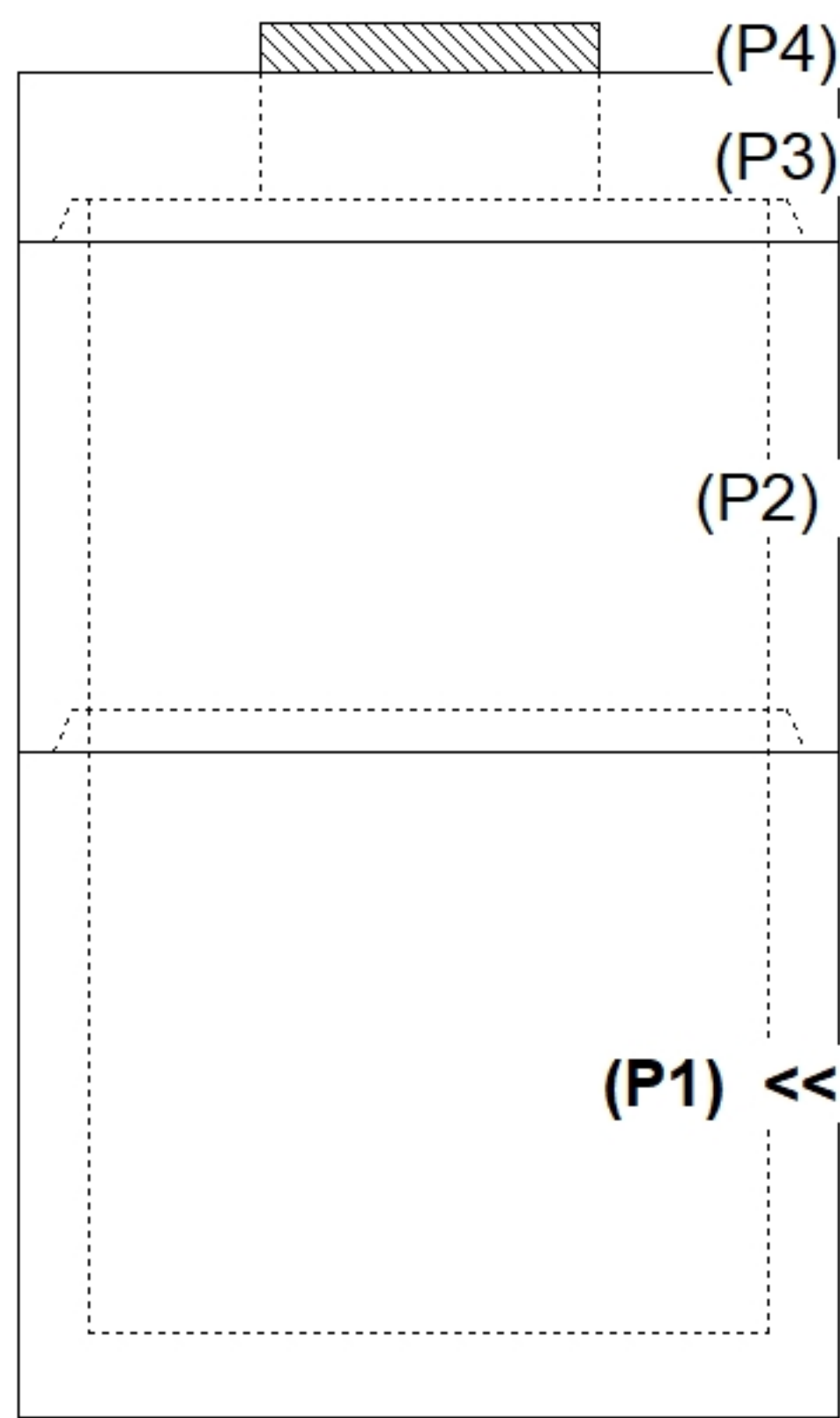
Structure Notes:
 PLAN LABEL: 90
 1. HOE 410 F/G PROVIDED BY ICAST.
 2. PER ASTM C478 SPECIFICATIONS.
 3. CONCRETE = 4,000 PSI AT 28 DAYS.
 4. REINFORCING PER ASTM A615 (GRADE 60).
 - TOP SLAB (As .62) #5 BARS AT 6" C.C.E.W.
 - RISER/WALLS (As .12)
 - FLOOR (As .31) #5 BARS AT 12" C.C.E.W.

Rim: 898.76' Rim to Invert: 7.74' Slack: 1.68" Sump: 1.3" Step Position: 252.5°

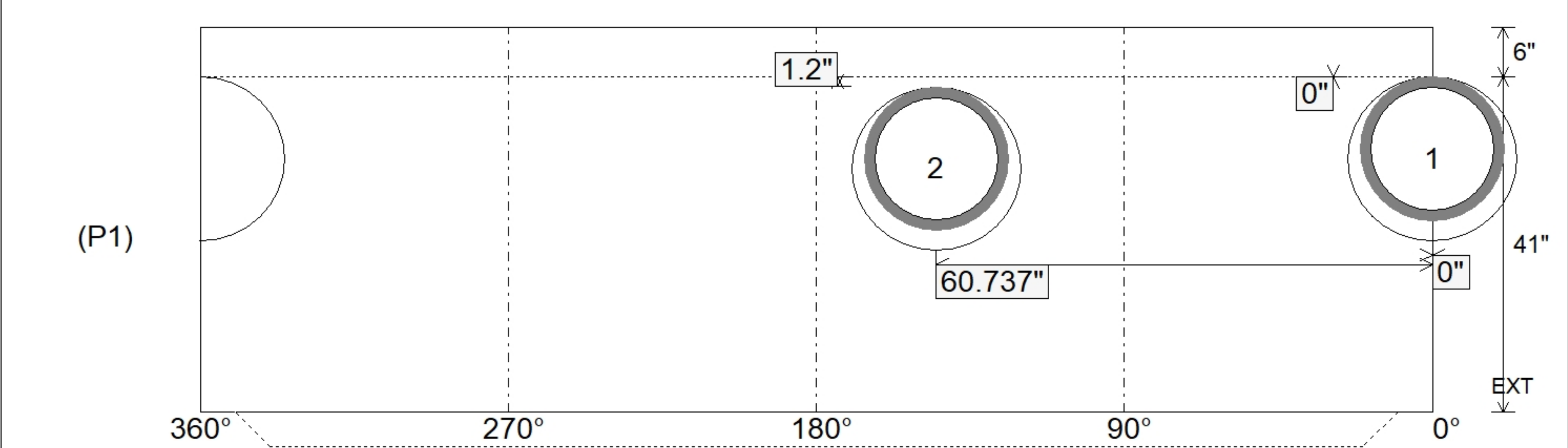
Position	Elev	Angle	Ext. (cw)	Pipe	Pipe OD	Connector	Hole	Horz Size	Up ()	Offset
Invert 1	891.02'	0°	0"	15" HDPE	17.6"	Hole 20	20"	20.629"	0"	0"
Invert 2	891.12'	145°	73.391"	15" HDPE	17.6"	Hole 20	20"	20.629"	1.2"	0"
Invert 3										
Invert 4										
Invert 5										
Invert 6										
Invert 7										
Invert 8										

RIGHT-SIDE UP VIEW (int. dimensions)

UPSIDE-DOWN VIEW (int. dimensions)



INSIDE WALL DIMENSIONS



Coating (Int): Coating (Ext):	Seam Up: Tongue Seam Dn: n/a	Wall Thickness: 5" Floor Height: 6"	Height (Int): 41" Height (Ext): 47"	Weight (Net): 3924 lb Volume (Net): 1cu.yd
----------------------------------	---------------------------------	--	--	---