

**Job Name: 26-1222 Woodvale Subdivision Ph.120-211-300**  
**Job Location: Erlanger, KY**  
**Contractor: Mago Construction Co. LLC**

PC: Celina Goff  
 TECH: Jared - A  
 Plant: 100



Structure ID: **CB-89-13 CB3A**

Spec: Storm  
 Type: STM.MH  
 Size: 48"

Rim: 898.64'  
 Invert: 890.04'  
 Rim to Invert: 8.6'

Sump: 1.6"  
 Floor (Top): 889.907'  
 Floor Height: 6"

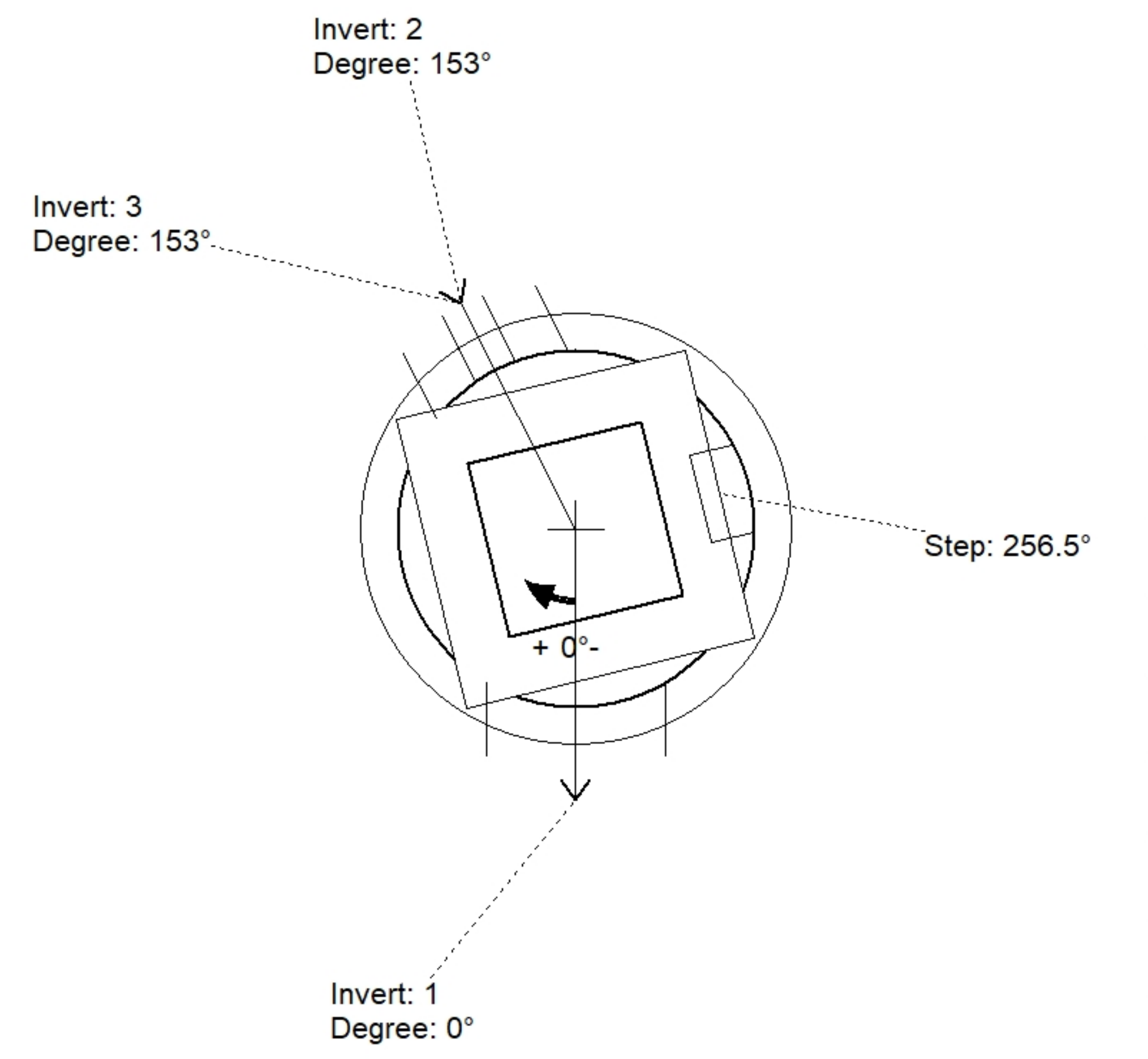
Floor (Bot): 889.407'  
 Overall Height: 9.042'  
 Slack: 2.3"

**Structure Notes:**

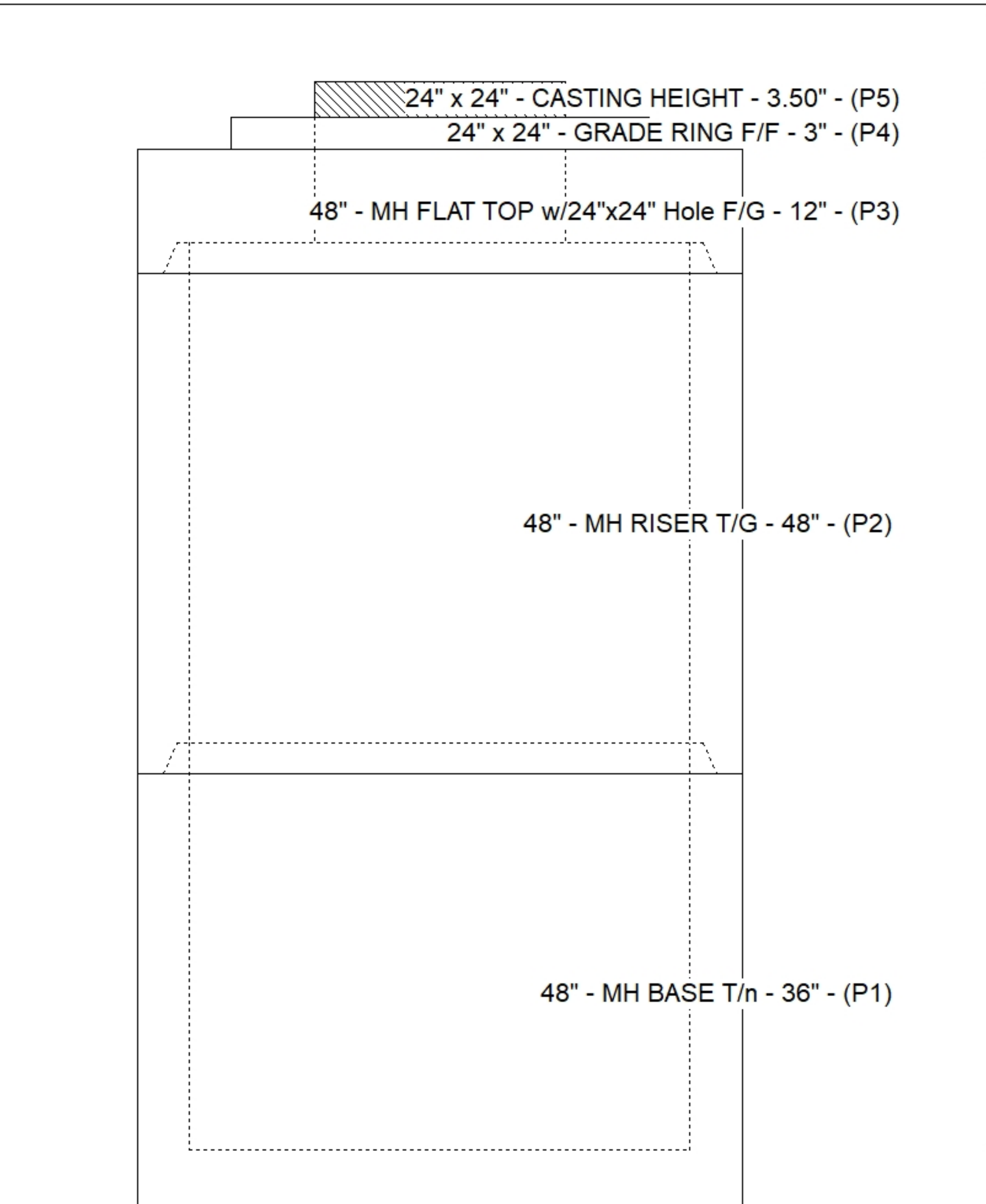
- PLAN LABEL: 89  
 1. HOE 410 F/G PROVIDED BY ICAST.  
 2. PER ASTM C478 SPECIFICATIONS.  
 3. CONCRETE = 4,000 PSI AT 28 DAYS.  
 4. REINFORCING PER ASTM A615 (GRADE 60).  
 - TOP SLAB (As .62) #5 BARS AT 6" C.C.E.W.  
 - RISER/WALLS (As .12)  
 - FLOOR (As .31) #5 BARS AT 12" C.C.E.W.

**STRUCTURE SUMMARY:**

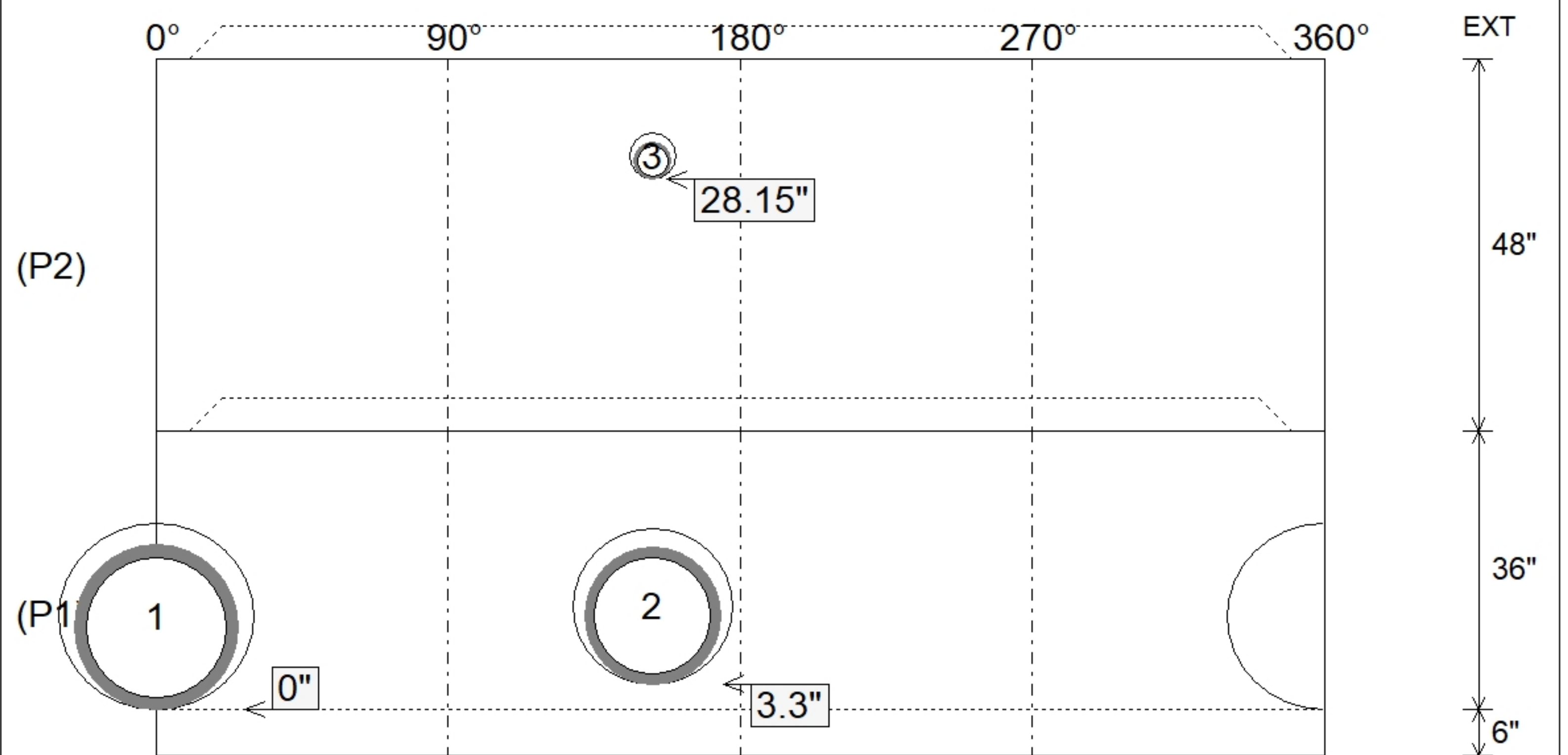
P5) 24" x 24" - CASTING HEIGHT - 3.50"	0 lb
P4) 24" x 24" - GRADE RING F/F - 3"	258 lb
P3) 48" - MH FLAT TOP w/24"x24" Hole F/G - 12"	1500 lb
P2) 48" - MH RISER T/G - 48"	3341 lb
P1) 48" - MH BASE T/n - 36"	3505 lb
1) CASTING - HOE 410 F/G	228 lb
2) 48" - Conseal CS-102 1.00"	0 lb
2) 24" x 24" - Conseal CS-102 1.00"	0 lb
1) Hole - 24	0 lb
1) Hole - 20	0 lb
1) Hole - 6	0 lb
7) MH Step ML-10-TDS-NCR - 10"	0 lb
<b>Structure Total:</b>	<b>8832 lb</b>



Position	Elev	Angle	Pipe	Pipe OD	Hole	Connector	Up ( )	Ref
Rim	898.64'							
Reducer								
Invert 1	890.04'	0°	18" HDPE	21.2"	24"	Hole 24	0"	P1
Invert 2	890.29'	153°	15" HDPE	17.6"	20"	Hole 20	3.3"	P1
Invert 3	895.64'	153°	4" HDPE (perf pipe)	4.8"	6"	Hole 6	28.15"	P2
Invert 4								
Invert 5								
Invert 6								
Invert 7								
Invert 8								



**Default - Interior Dimensions**



Submittal Drawing  
 3/2/2026 1:33:43 PM

SUBMITTAL  
 APPROVED BY: