

Structure ID: CB-88-11 CB3A

P1 BX2424-08BAVF

BOX BASE 8inW, 8inF, Variable Ht F/n

P2) 24" x 24" - CASTING HEIGHT - 3.50" P1) 24" x 24" - BOX BASE 8inW, 8inF, Variable Ht F/n - 46" 1) CASTING - HOE 410 F/G 1) 24" x 24" - Conseal CS-102 1.00" 1) Hole - 18	0 lb 4856 lb 228 lb 0 lb 0 lb ----- Structure Total: 5084 lb
---	--

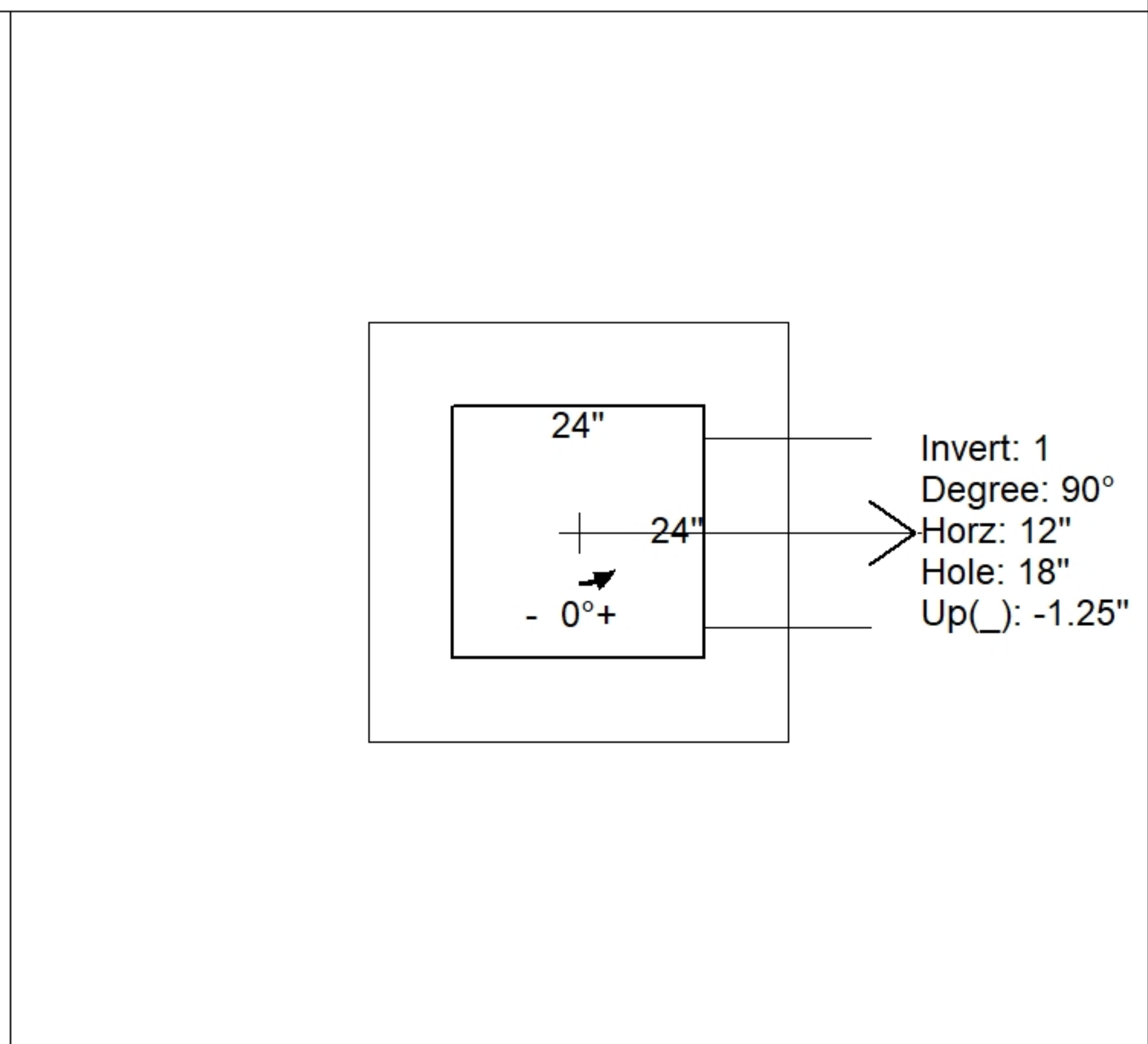
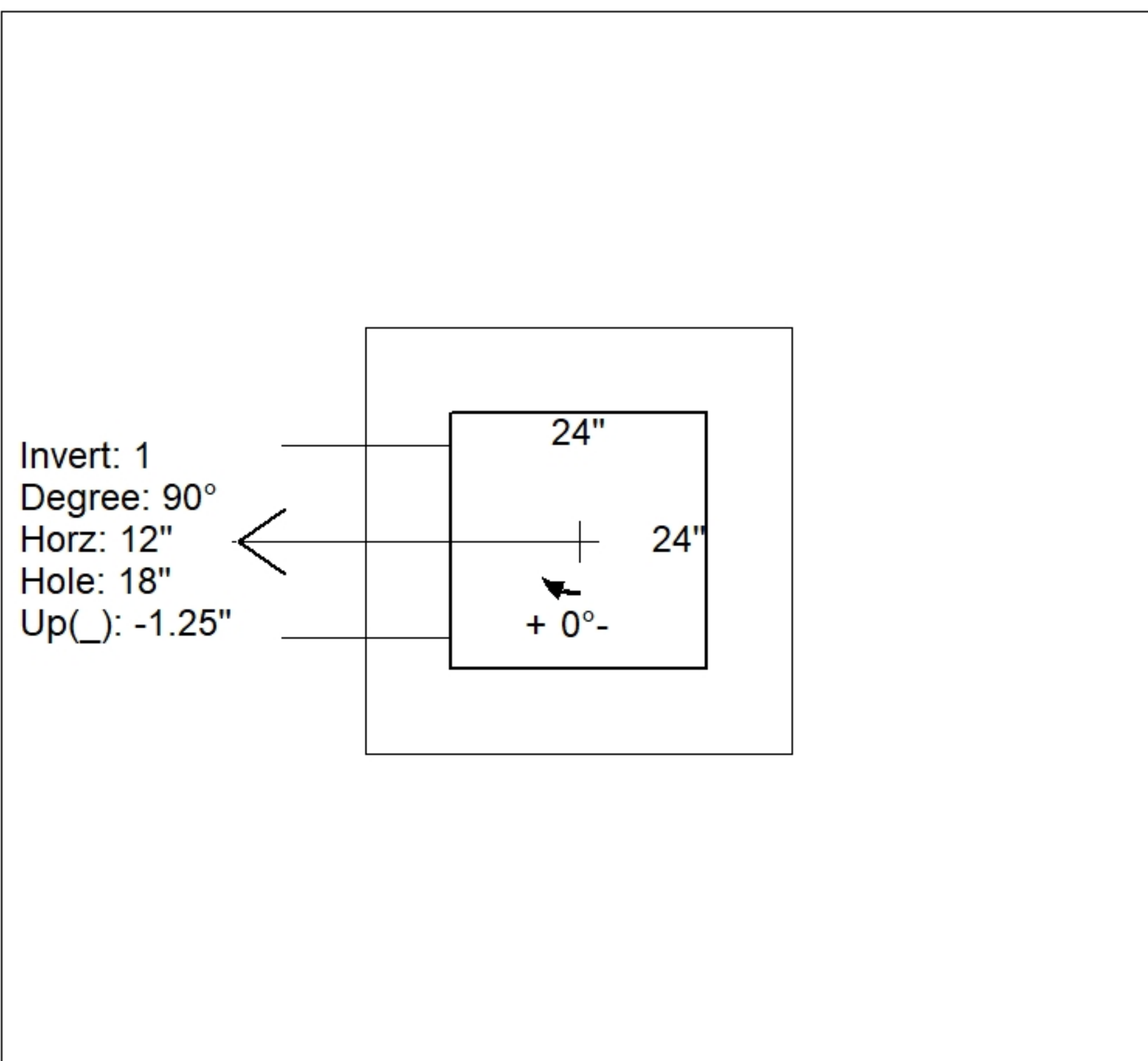
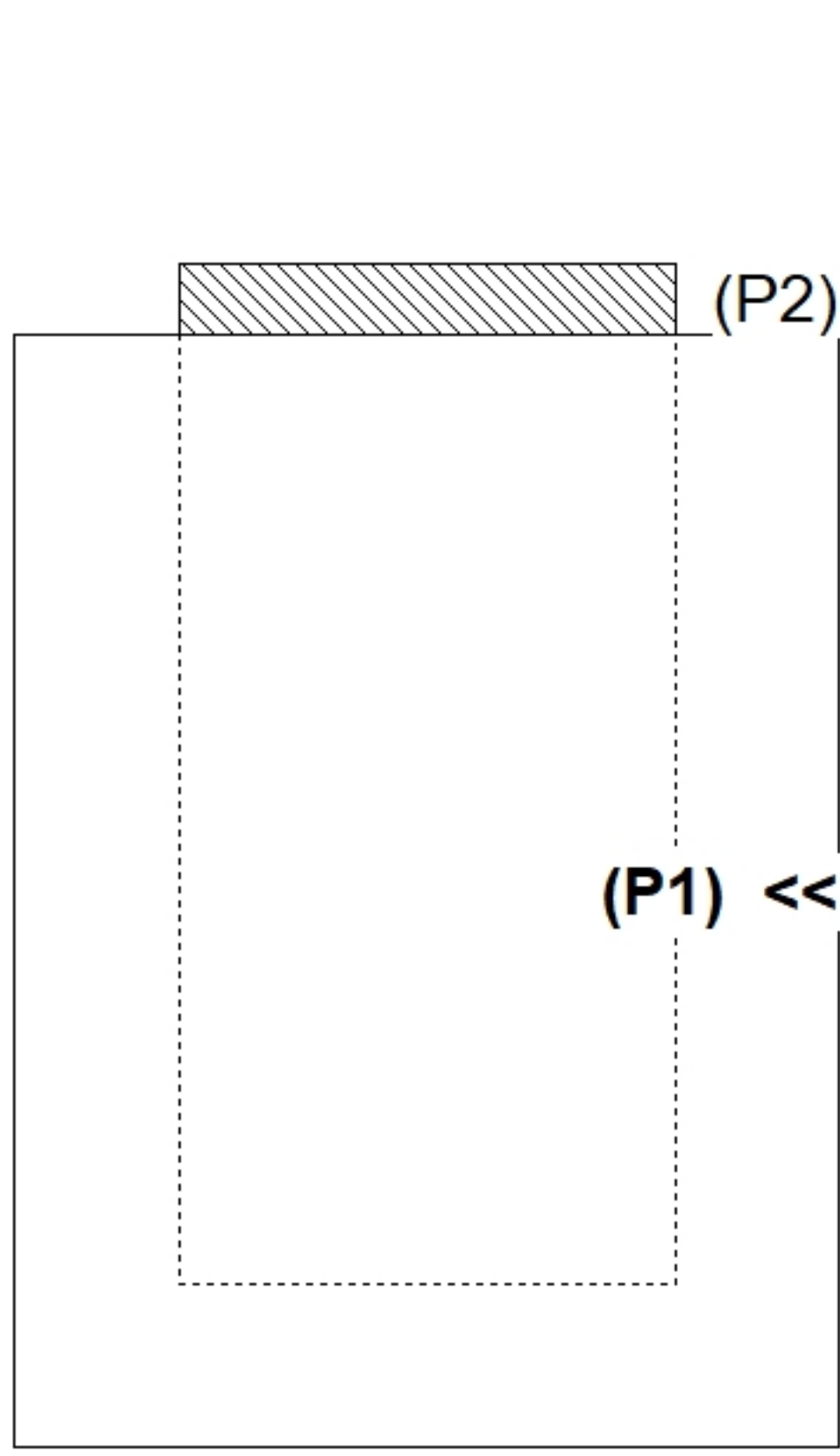
Structure Notes:
 PLAN LABEL: 88
 1. HOE 410 F/G PROVIDED BY ICAST.
 2. PER ASTM C913 SPECIFICATIONS.
 3. CONCRETE = 4,000 PSI AT 28 DAYS.
 4. NO INVERT CHANNEL.
 5. REINFORCING PER ASTM A615 (GRADE 60).
 - WALLS (As .12) #5 BARS AT 12" C.C.E.W.
 - FLOOR (As .12) #5 BARS AT 12" C.C.E.W.

Rim: 896.68' Rim to Invert: 4.18' Slack: 0.66" Sump: 0" Step Position:

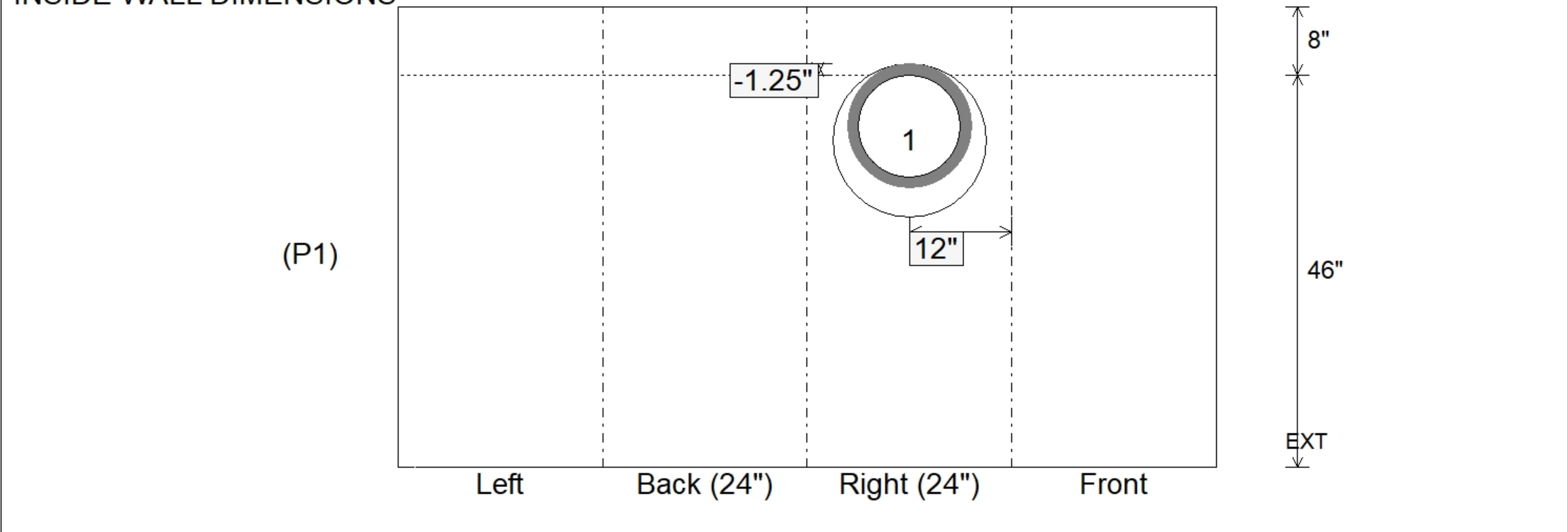
Position	Elev	Angle	Ext. (cw)	Pipe	Pipe OD	Connector	Hole	Horz Size	Up ()	Offset
Invert 1	892.5'	90°	20"	12" HDPE	14.5"	Hole 18	18"	18"	-1.25"	0"
Invert 2										
Invert 3										
Invert 4										
Invert 5										
Invert 6										
Invert 7										
Invert 8										

RIGHT-SIDE UP VIEW (int. dimensions)

UPSIDE-DOWN VIEW (int. dimensions)



INSIDE WALL DIMENSIONS



Coating (Int): Coating (Ext):	Seam Up: Flat Seam Dn: n/a	Wall Thickness: 8" Floor Height: 8"	Height (Int): 46" Height (Ext): 54"	Weight (Net): 4856 lb Volume (Net): 1.24cu.yd
----------------------------------	-------------------------------	--	--	--