

Job Name: 26-1222 Woodvale Subdivision Ph.120-211-300

Job Location: Erlanger, KY

Contractor: Mago Construction Co. LLC

PC: Celina Goff

TECH: Jared - A

Plant: 100



Structure ID: **CB-87-10 CB3A**

Spec: Storm

Type: STM.MH

Size: 48"

Rim: 896.68'

Invert: 891.44'

Rim to Invert: 5.24'

Sump: 1.6"

Floor (Top): 891.307'

Floor Height: 6"

Floor (Bot): 890.807'

Overall Height: 5.708'

Slack: 1.98"

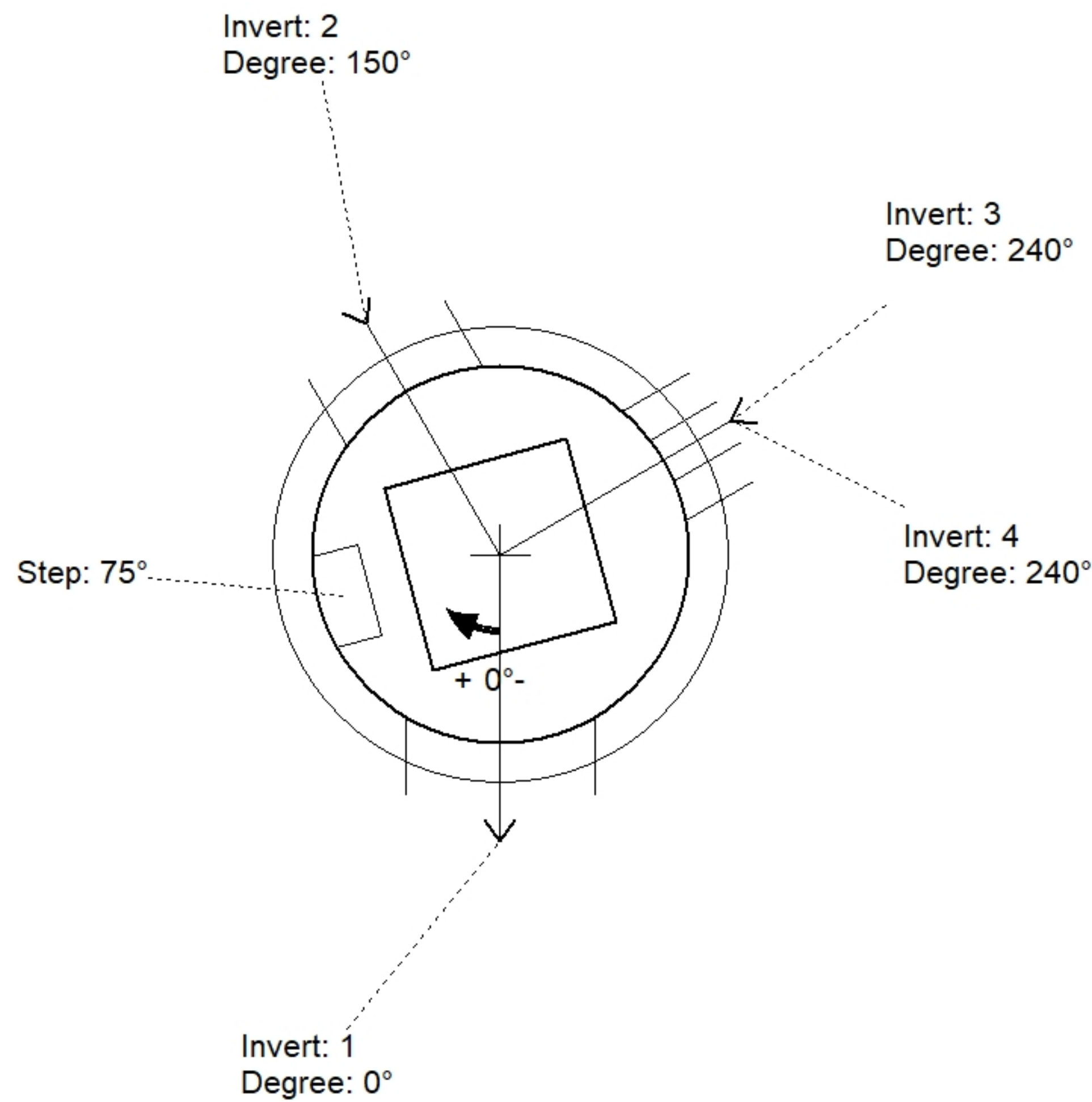
Structure Notes:

PLAN LABEL: 87

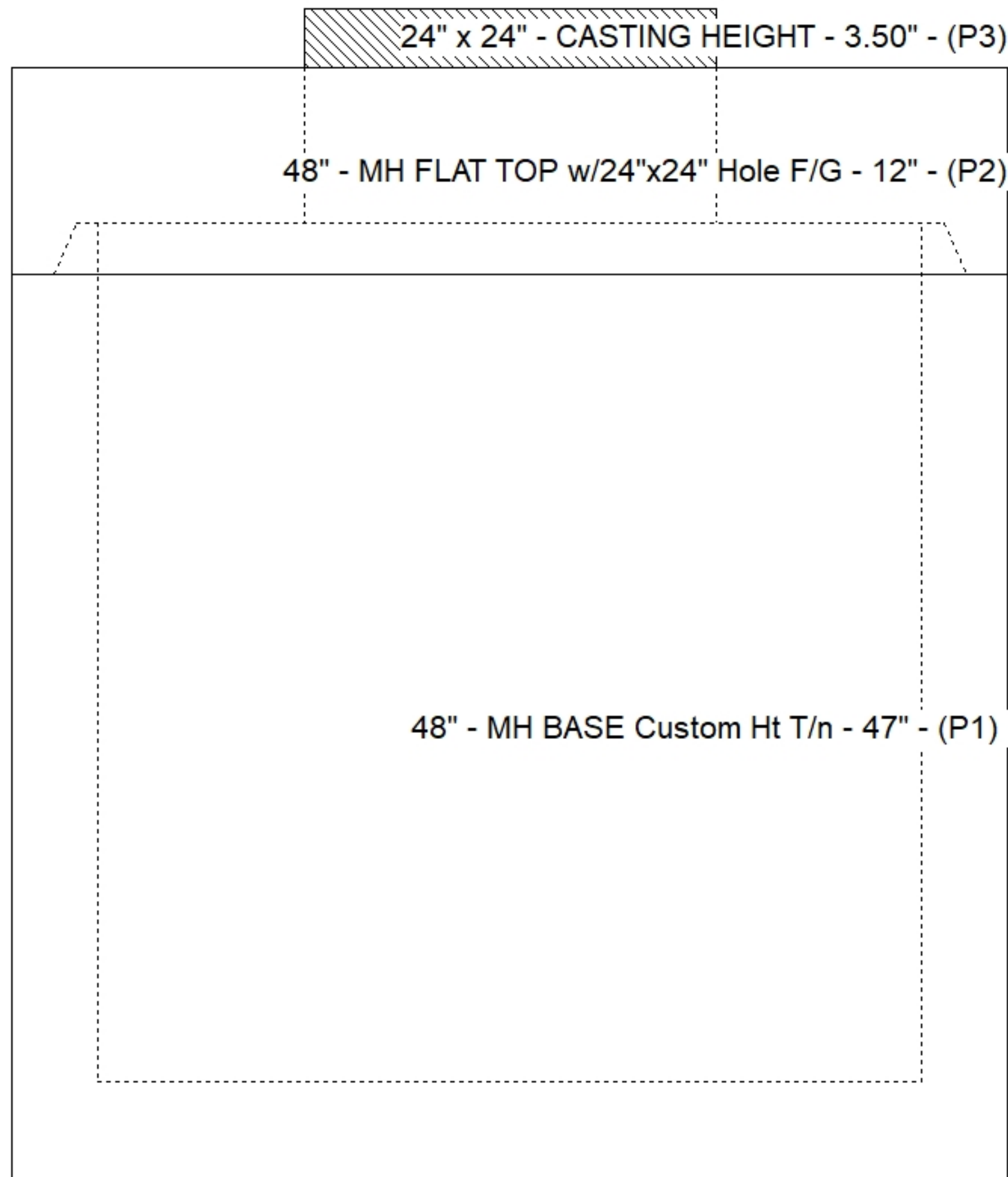
1. HOE 410 F/G PROVIDED BY ICAST.
2. PER ASTM C478 SPECIFICATIONS.
3. CONCRETE = 4,000 PSI AT 28 DAYS.
4. REINFORCING PER ASTM A615 (GRADE 60).
 - TOP SLAB (As .62) #5 BARS AT 6" C.C.E.W.
 - RISER/WALLS (As .12)
 - FLOOR (As .31) #5 BARS AT 12" C.C.E.W.

STRUCTURE SUMMARY:

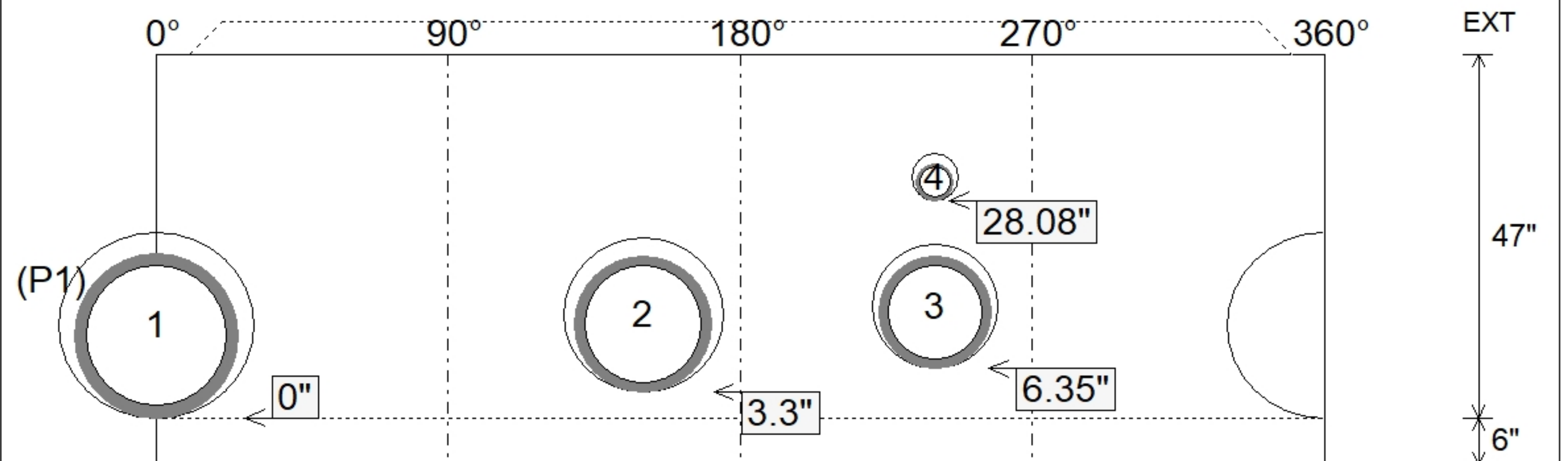
P3) 24" x 24" - CASTING HEIGHT - 3.50"	0 lb
P2) 48" - MH FLAT TOP w/24"x24" Hole F/G - 12"	1500 lb
P1) 48" - MH BASE Custom Ht T/n - 47"	4183 lb
1) CASTING - HOE 410 F/G	228 lb
1) 48" - Conseal CS-102 1.00"	0 lb
1) 24" x 24" - Conseal CS-102 1.00"	0 lb
1) Hole - 24	0 lb
1) Hole - 20	0 lb
1) Hole - 16	0 lb
1) Hole - 6	0 lb
4) MH Step ML-10-TDS-NCR - 10"	0 lb
Structure Total:	5911 lb



Position	Elev	Angle	Pipe	Pipe OD	Hole	Connector	Up ()	Ref
Rim	896.68'							
Reducer								
Invert 1	891.44'	0°	18" HDPE	21.2"	24"	Hole 24	0"	P1
Invert 2	891.69'	150°	15" HDPE	17.6"	20"	Hole 20	3.3"	P1
Invert 3	891.94'	240°	12" HDPE	14.5"	16"	Hole 16	6.35"	P1
Invert 4	893.68'	240°	4" HDPE (perf pipe)	4.8"	6"	Hole 6	28.08"	P1
Invert 5								
Invert 6								
Invert 7								
Invert 8								



Default - Interior Dimensions



Submittal Drawing
3/2/2026 1:33:42 PM

SUBMITTAL
APPROVED BY: