

Job Name: 26-1222 Woodvale Subdivision Ph.120-211-300
Job Location: Erlanger, KY
Contractor: Mago Construction Co. LLC

PC: Celina Goff
 TECH: Jared - A
 Plant: 100



Structure ID: **CB-85-8 CB3A**

Spec: Storm
 Type: STM.MH
 Size: 48"

Rim: 897.18'
 Invert: 889.19'
 Rim to Invert: 7.99'

Sump: 1.6"
 Floor (Top): 889.057'
 Floor Height: 6"

Floor (Bot): 888.557'
 Overall Height: 8.292'
 Slack: 3.98"

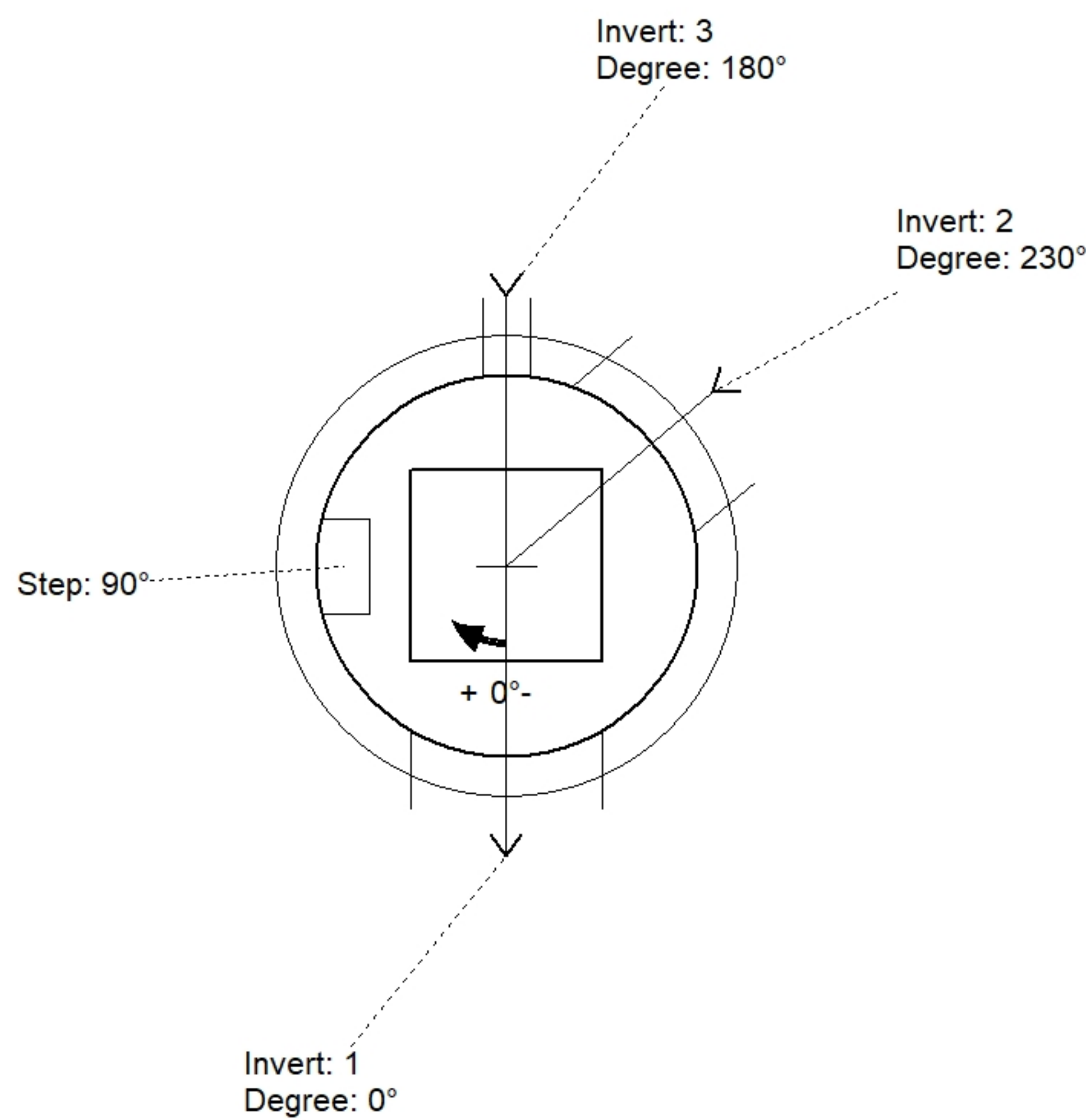
Structure Notes:

- PLAN LABEL: 85
 1. HOE 410 F/G PROVIDED BY ICAST.
 2. PER ASTM C478 SPECIFICATIONS.
 3. CONCRETE = 4,000 PSI AT 28 DAYS.
 4. REINFORCING PER ASTM A615 (GRADE 60).
 - TOP SLAB (As .62) #5 BARS AT 6" C.C.E.W.
 - RISER/WALLS (As .12)
 - FLOOR (As .31) #5 BARS AT 12" C.C.E.W.

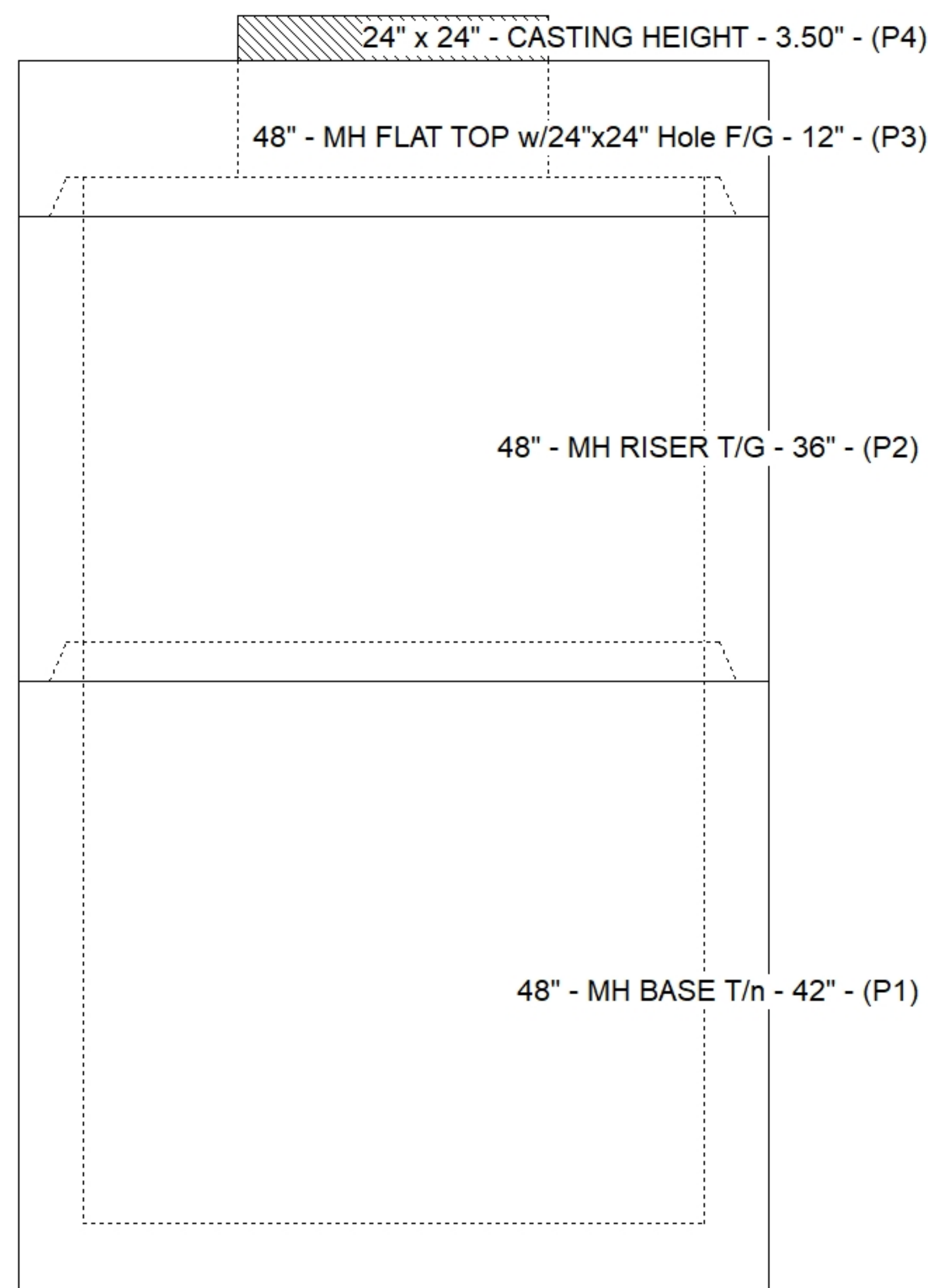
STRUCTURE SUMMARY:

- P4) 24" x 24" - CASTING HEIGHT - 3.50" 0 lb
- P3) 48" - MH FLAT TOP w/24"x24" Hole F/G - 12" 1500 lb
- P2) 48" - MH RISER T/G - 36" 2503 lb
- P1) 48" - MH BASE T/n - 42" 3844 lb
- 1) CASTING - HOE 410 F/G 228 lb
- 2) 48" - Conseal CS-102 1.00" 0 lb
- 1) 24" x 24" - Conseal CS-102 1.00" 0 lb
- 2) Hole - 24 0 lb
- 1) Hole - 6 0 lb
- 6) MH Step ML-10-TDS-NCR - 10" 0 lb

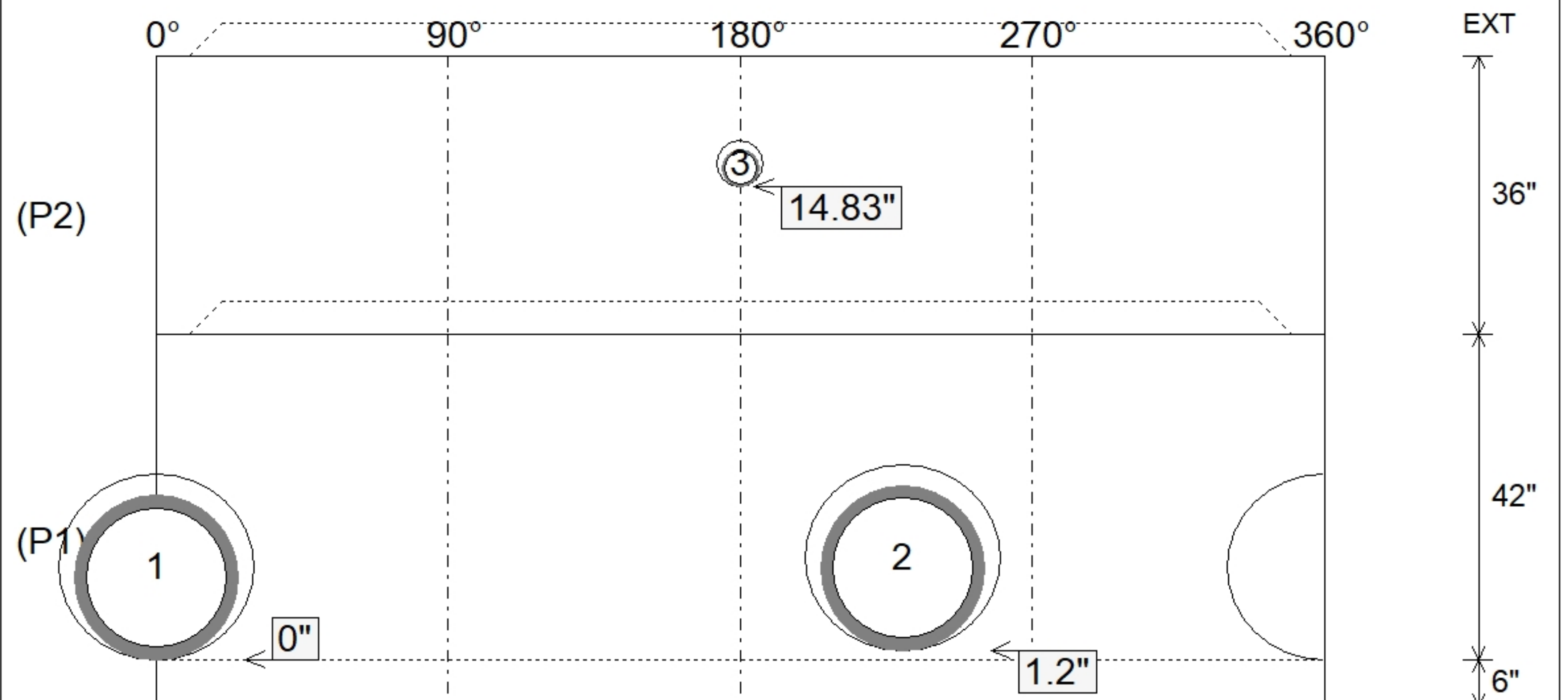
Structure Total: 8075 lb



Position	Elev	Angle	Pipe	Pipe OD	Hole	Connector	Up ()	Ref
Rim	897.18'							
Reducer								
Invert 1	889.19'	0°	18" HDPE	21.2"	24"	Hole 24	0"	P1
Invert 2	889.29'	230°	18" HDPE	21.2"	24"	Hole 24	1.2"	P1
Invert 3	894.18'	180°	4" HDPE (perf pipe)	4.8"	6"	Hole 6	14.83"	P2
Invert 4								
Invert 5								
Invert 6								
Invert 7								
Invert 8								



Default - Interior Dimensions



Submittal Drawing
 3/2/2026 1:33:41 PM

SUBMITTAL
 APPROVED BY: