

**Structure ID: CB-85-8 CB3A**

**P1 MH048BA42 MH BASE T/n**

P4) 24" x 24" - CASTING HEIGHT - 3.50" P3) 48" - MH FLAT TOP w/24"x24" Hole F/G - 12" P2) 48" - MH RISER T/G - 36" P1) 48" - MH BASE T/n - 42" 1) CASTING - HOE 410 F/G 2) 48" - Conseal CS-102 1.00" 1) 24" x 24" - Conseal CS-102 1.00" 2) Hole - 24 1) Hole - 6 6) MH Step ML-10-TDS-NCR - 10"	0 lb 1500 lb 2503 lb 3844 lb 228 lb 0 lb 0 lb 0 lb 0 lb 0 lb 0 lb ----- Structure Total: 8075 lb
--	--

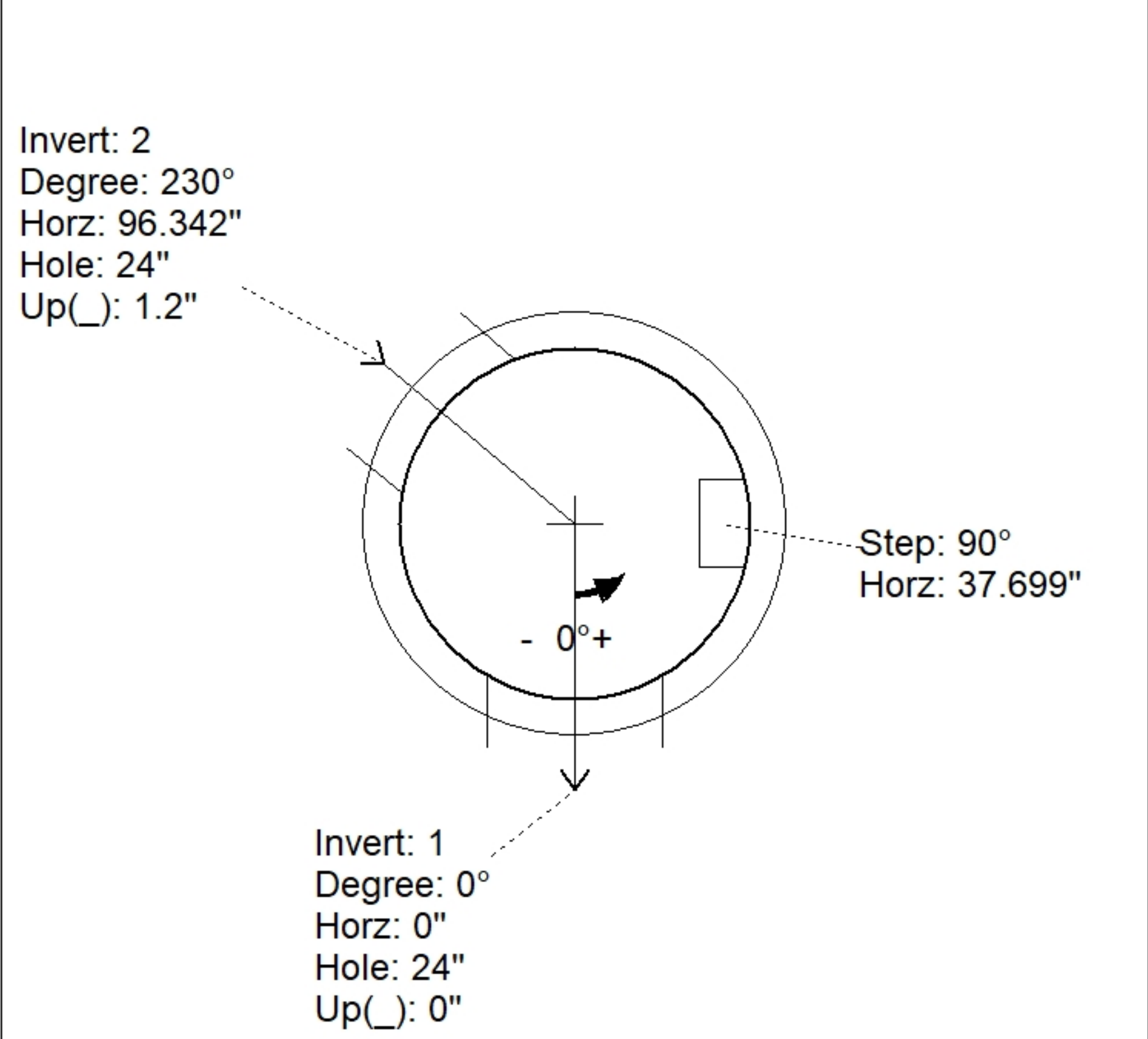
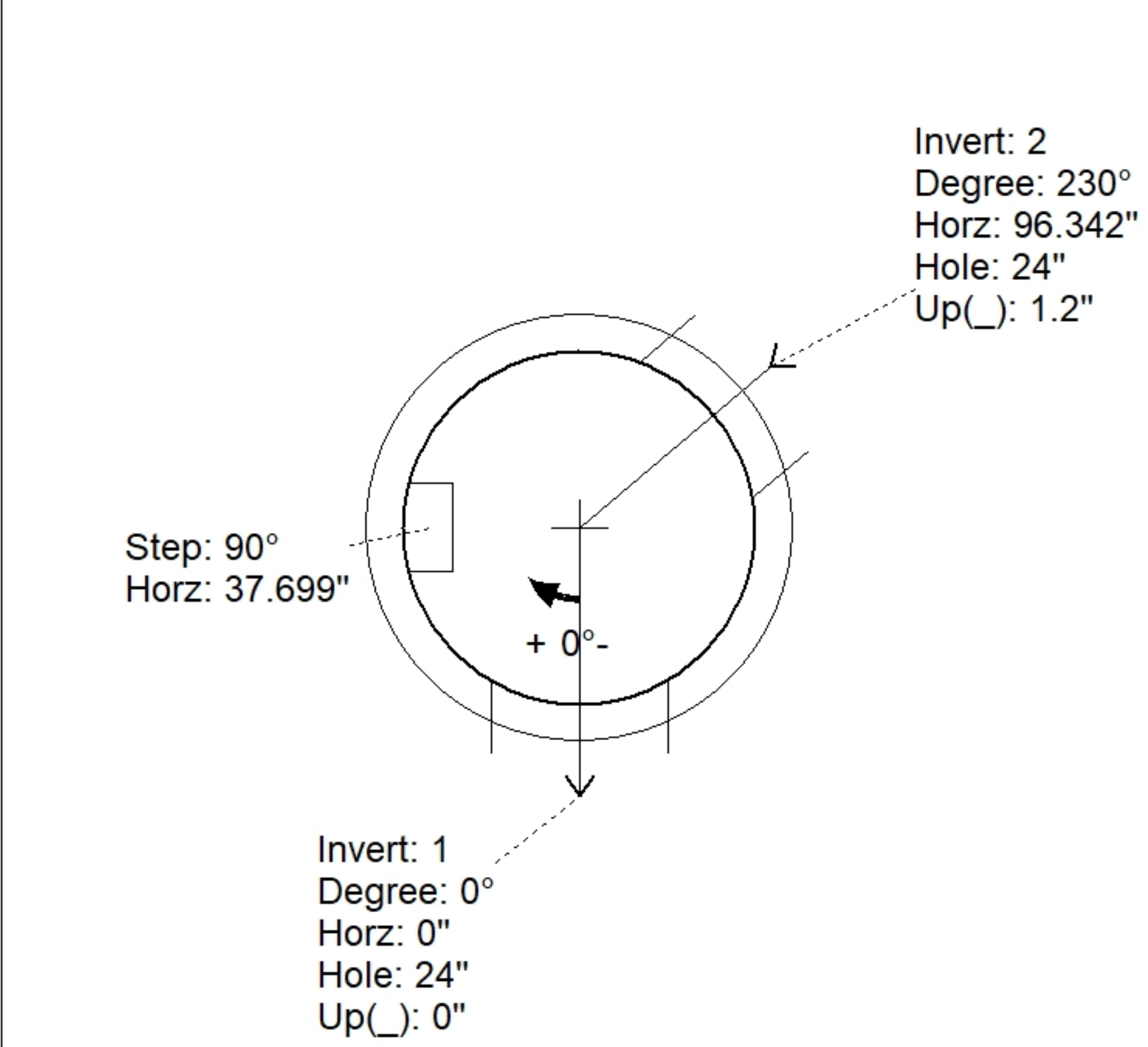
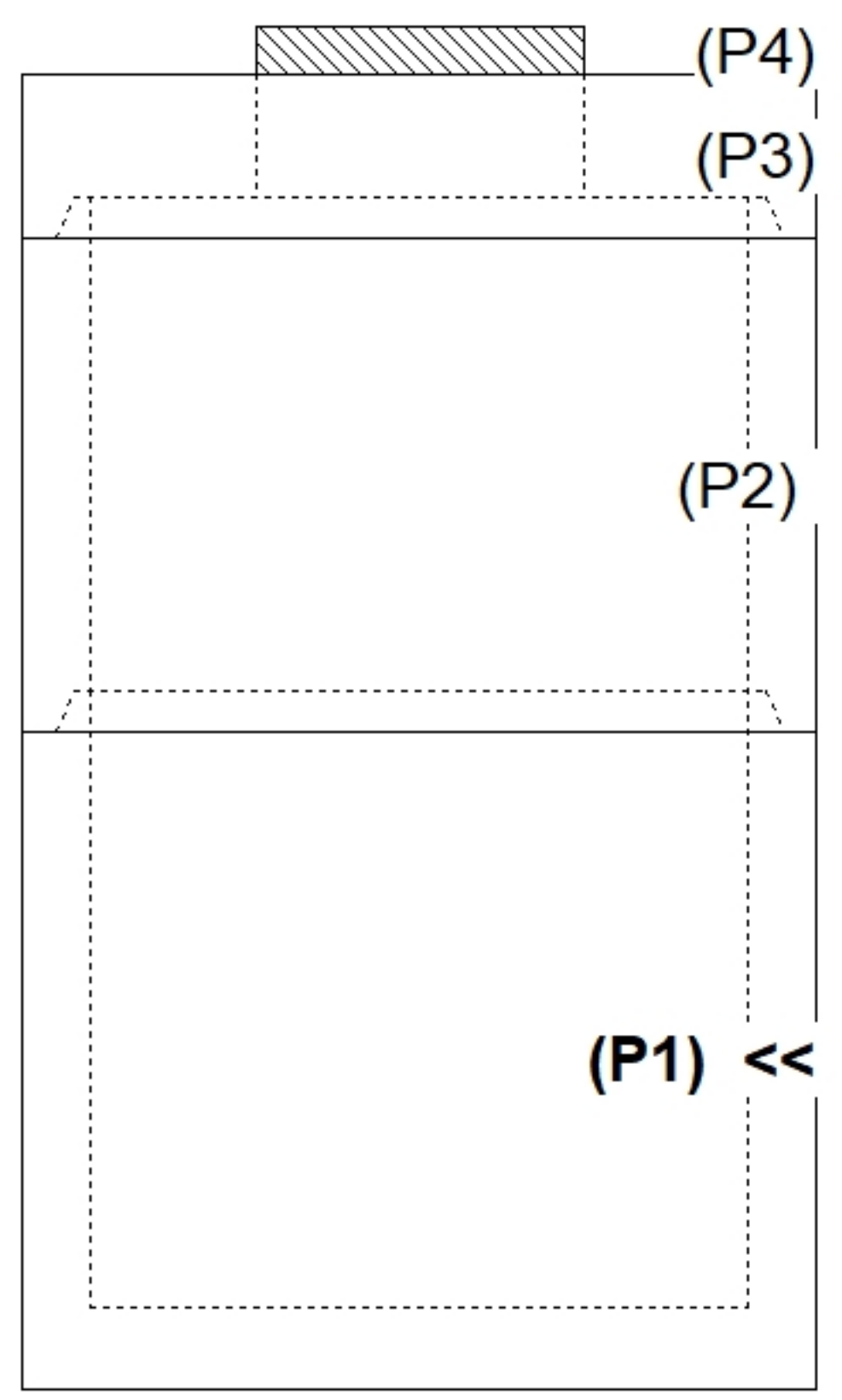
**Structure Notes:**  
 PLAN LABEL: 85  
 1. HOE 410 F/G PROVIDED BY ICAST.  
 2. PER ASTM C478 SPECIFICATIONS.  
 3. CONCRETE = 4,000 PSI AT 28 DAYS.  
 4. REINFORCING PER ASTM A615 (GRADE 60).  
 - TOP SLAB (As .62) #5 BARS AT 6" C.C.E.W.  
 - RISER/WALLS (As .12)  
 - FLOOR (As .31) #5 BARS AT 12" C.C.E.W.

Rim: 897.18' Rim to Invert: 7.99' Slack: 3.98" Sump: 1.6" Step Position: 90°

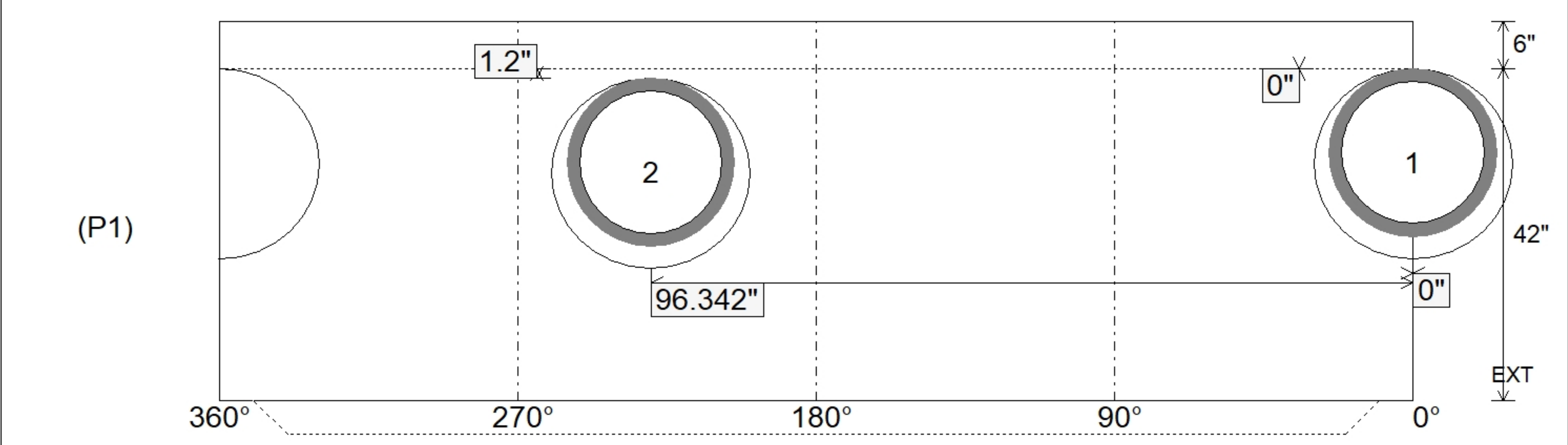
Position	Elev	Angle	Ext. (cw)	Pipe	Pipe OD	Connector	Hole	Horz Size	Up ( )	Offset
Invert 1	889.19'	0°	0"	18" HDPE	21.2"	Hole 24	24"	25.133"	0"	0"
Invert 2	889.29'	230°	116.413"	18" HDPE	21.2"	Hole 24	24"	25.133", 4.026"	1.2"	0"
Invert 3										
Invert 4										
Invert 5										
Invert 6										
Invert 7										
Invert 8										

RIGHT-SIDE UP VIEW (int. dimensions)

UPSIDE-DOWN VIEW (int. dimensions)



INSIDE WALL DIMENSIONS



Coating (Int): Coating (Ext):	Seam Up: Tongue Seam Dn: n/a	Wall Thickness: 5" Floor Height: 6"	Height (Int): 42" Height (Ext): 48"	Weight (Net): 3844 lb Volume (Net): 0.98cu.yd
----------------------------------	---------------------------------	--	--	--