

Job Name: 26-1222 Woodvale Subdivision Ph.120-211-300

Job Location: Erlanger, KY

Contractor: Mago Construction Co. LLC

PC: Celina Goff

TECH: Jared - A

Plant: 100



Structure ID: **CB-84-2 CB3A**

Spec: Storm

Type: STM.MH

Size: 48"

Rim: 897.44'

Invert: 888.33'

Rim to Invert: 9.11'

Sump: 1.9"

Floor (Top): 888.172'

Floor Height: 6"

Floor (Bot): 887.672'

Overall Height: 9.708'

Slack: 0.72"

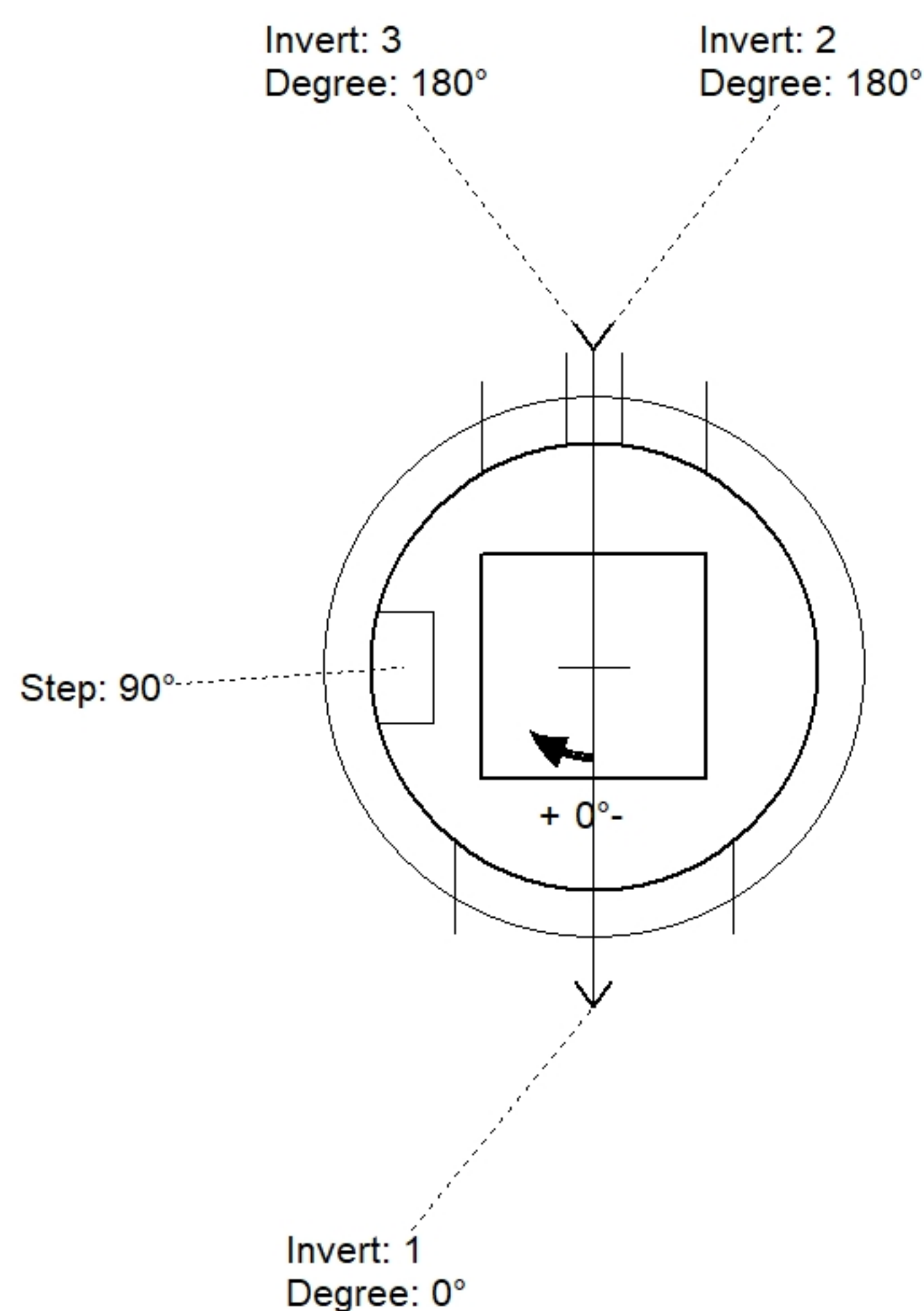
Structure Notes:

PLAN LABEL: 84

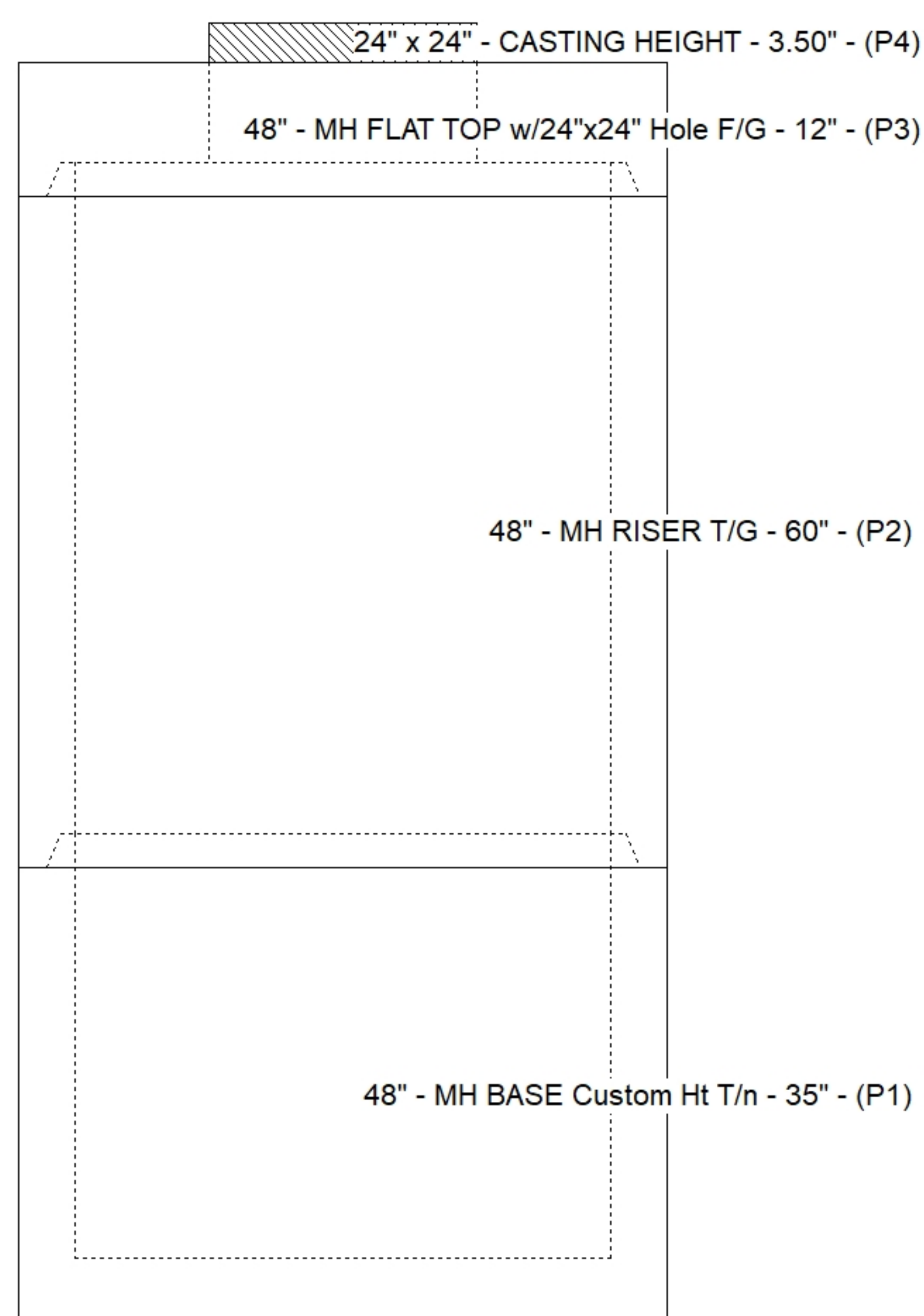
1. HOE 410 F/G PROVIDED BY ICAST.
2. PER ASTM C478 SPECIFICATIONS.
3. CONCRETE = 4,000 PSI AT 28 DAYS.
4. REINFORCING PER ASTM A615 (GRADE 60).
 - TOP SLAB (As .62) #5 BARS AT 6" C.C.E.W.
 - RISER/WALLS (As .12)
 - FLOOR (As .31) #5 BARS AT 12" C.C.E.W.

STRUCTURE SUMMARY:

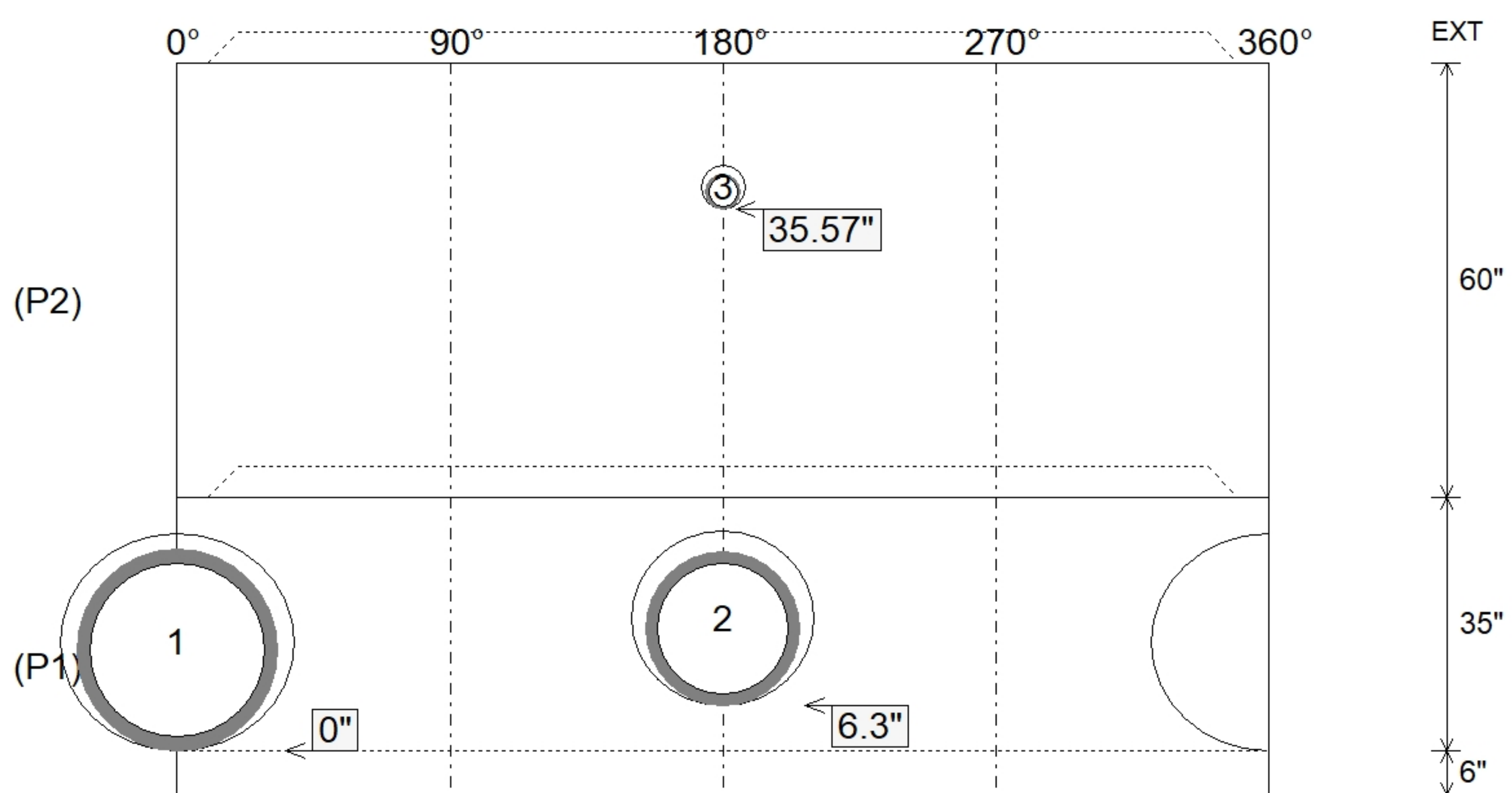
P4) 24" x 24" - CASTING HEIGHT - 3.50"	0 lb
P3) 48" - MH FLAT TOP w/24"x24" Hole F/G - 12"	1500 lb
P2) 48" - MH RISER T/G - 60"	4180 lb
P1) 48" - MH BASE Custom Ht T/n - 35"	3331 lb
1) CASTING - HOE 410 F/G	228 lb
2) 48" - Con Seal CS-102 1.00"	0 lb
1) 24" x 24" - Con Seal CS-102 1.00"	0 lb
1) Hole - 30	0 lb
1) Hole - 24	0 lb
1) Hole - 6	0 lb
8) MH Step ML-10-TDS-NCR - 10"	0 lb
Structure Total:	9239 lb



Position	Elev	Angle	Pipe	Pipe OD	Hole	Connector	Up ()	Ref
Rim	897.44'							
Reducer								
Invert 1	888.33'	0°	24" HDPE	27.8"	30"	Hole 30	0"	P1
Invert 2	888.83'	180°	18" HDPE	21.2"	24"	Hole 24	6.3"	P1
Invert 3	894.44'	180°	4" HDPE (perf pipe)	4.8"	6"	Hole 6	35.57"	P2
Invert 4								
Invert 5								
Invert 6								
Invert 7								
Invert 8								



Default - Interior Dimensions



Submittal Drawing
3/2/2026 1:33:38 PM

SUBMITTAL
APPROVED BY: