

Job Name: 26-1222 Woodvale Subdivision Ph.120-211-300
 Job Location: Erlanger, KY
 Contractor: Mago Construction Co. LLC

Plant: 100
 2/26/2026 9:01:20 AM

Tech: Jared - A
 PC: Celina Goff



Structure ID: CB-84-2 CB3A

P3 MH048LD12-24SQ

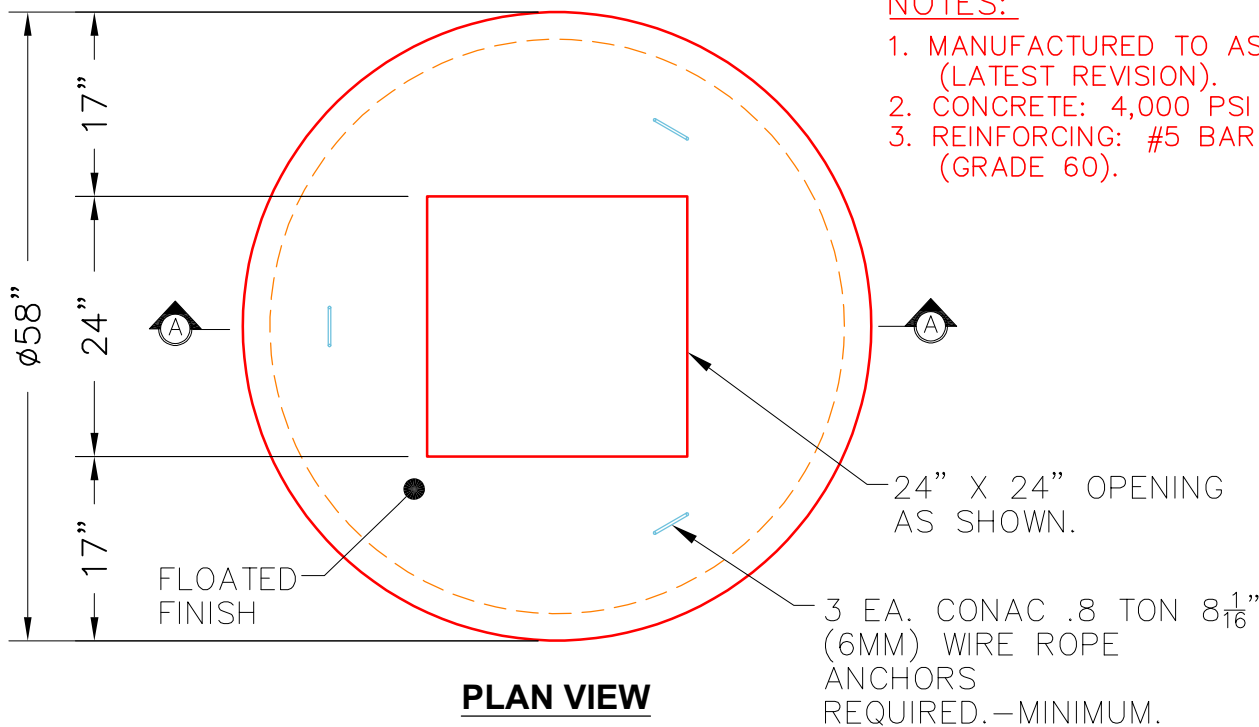
MH FLAT TOP w/24"x24" Hole F/G

- P4) 24" x 24" - CASTING HEIGHT - 3.50"
- P3) 48" - MH FLAT TOP w/24"x24" Hole F/G - 12"
- P2) 48" - MH RISER T/G - 60"
- P1) 48" - MH BASE Custom Ht T/n - 35"
- 1) CASTING - HOE 410 F/G
- 2) 48" - Conseal CS-102 1.00"
- 1) 24" x 24" - Conseal CS-102 1.00"
- 1) Hole - 30
- 1) Hole - 24
- 1) Hole - 6
- 8) MH Step ML-10-TDS-NCR - 10"

0 lb
 1500 lb
 4180 lb
 3331 lb
 228 lb
 0 lb
 0 lb
 0 lb
 0 lb
 0 lb
 0 lb
 0 lb

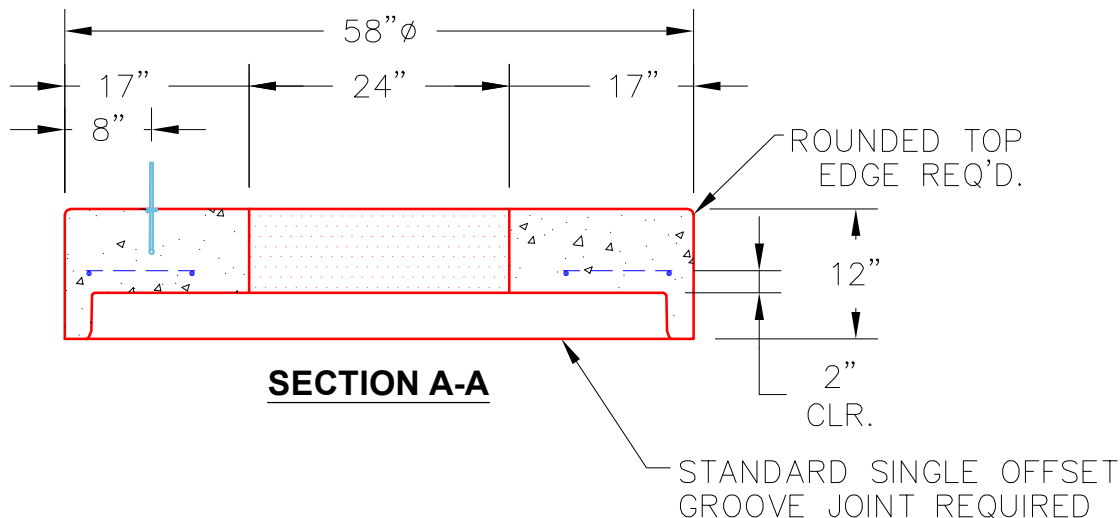
- Structure Notes:**
 PLAN LABEL: 84
1. HOE 410 F/G PROVIDED BY ICAST.
 2. PER ASTM C478 SPECIFICATIONS.
 3. CONCRETE = 4,000 PSI AT 28 DAYS.
 4. REINFORCING PER ASTM A615 (GRADE 60).
 - TOP SLAB (As .62) #5 BARS AT 6" C.C.E.W.
 - RISER/WALLS (As .12)
 - FLOOR (As .31) #5 BARS AT 12" C.C.E.W.

Structure Total: 9239 lb



NOTES:

1. MANUFACTURED TO ASTM C-478 (LATEST REVISION).
2. CONCRETE: 4,000 PSI AT 28 DAYS.
3. REINFORCING: #5 BAR @ 6" O.C. E.W. (GRADE 60).



Coating (Int):
 Coating (Ext):

Seam Up: Flat
 Seam Dn: Groove

Wall Thickness: 5"

Height (Ext): 12"

Weight (Net): 1500 lb
 Volume (Net): 0.37cu.yd