

Job Name: 26-1222 Woodvale Subdivision Ph.120-211-300

Job Location: Erlanger, KY

Contractor: Mago Construction Co. LLC

PC: Celina Goff

TECH: Jared - A

Plant: 100



Structure ID: **CB-79-18 CB3**

Spec: Storm

Type: BX 8inW, 8inF

Size: 27" x 57"

Rim: 897.34'

Invert: 893.12'

Rim to Invert: 4.22'

Sump: 0"

Floor (Top): 893.12'

Floor Height: 8"

Floor (Bot): 892.453'

Overall Height: 4.875'

Slack: 0.14"

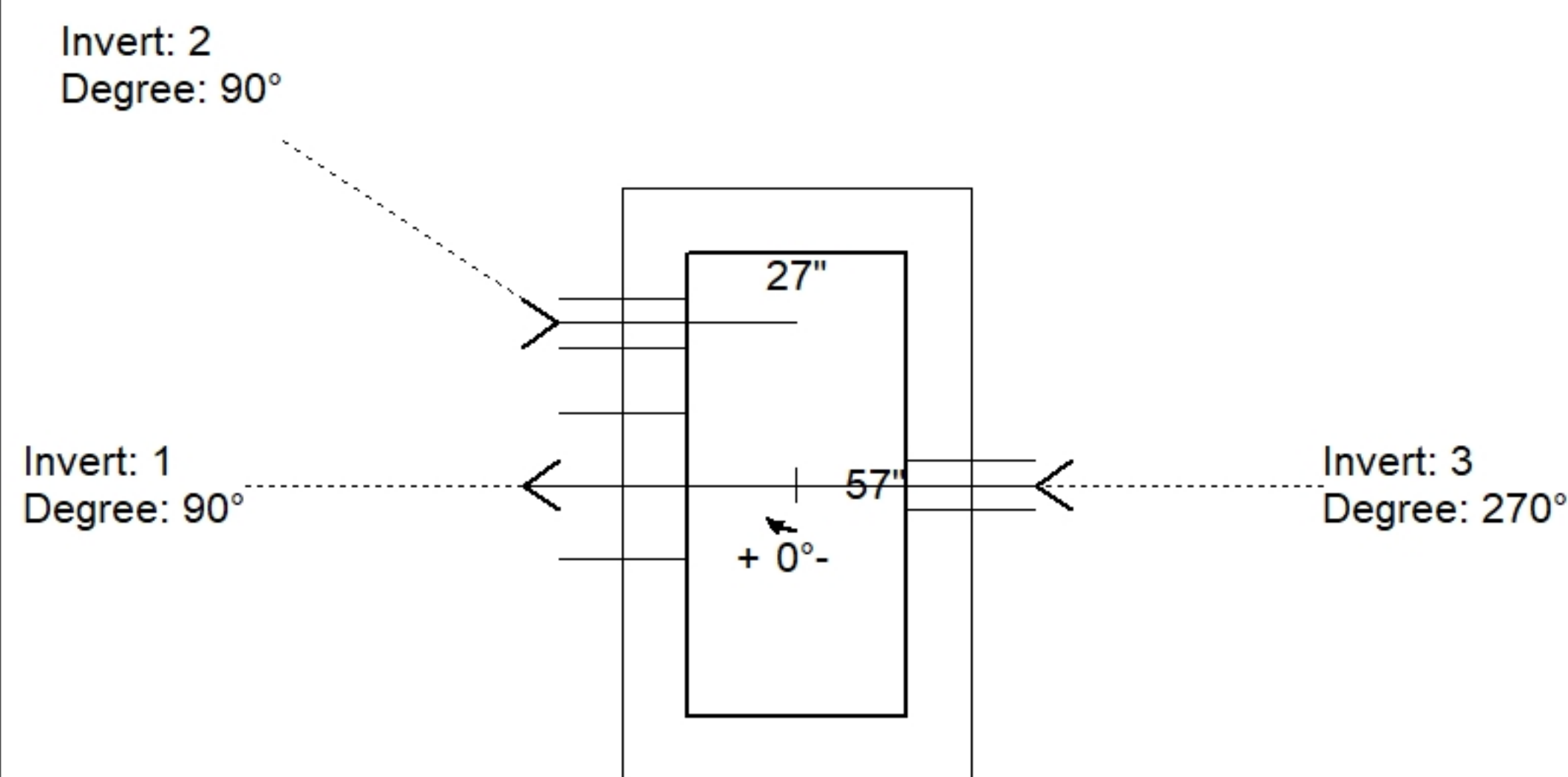
Structure Notes:

PLAN LABEL: 78

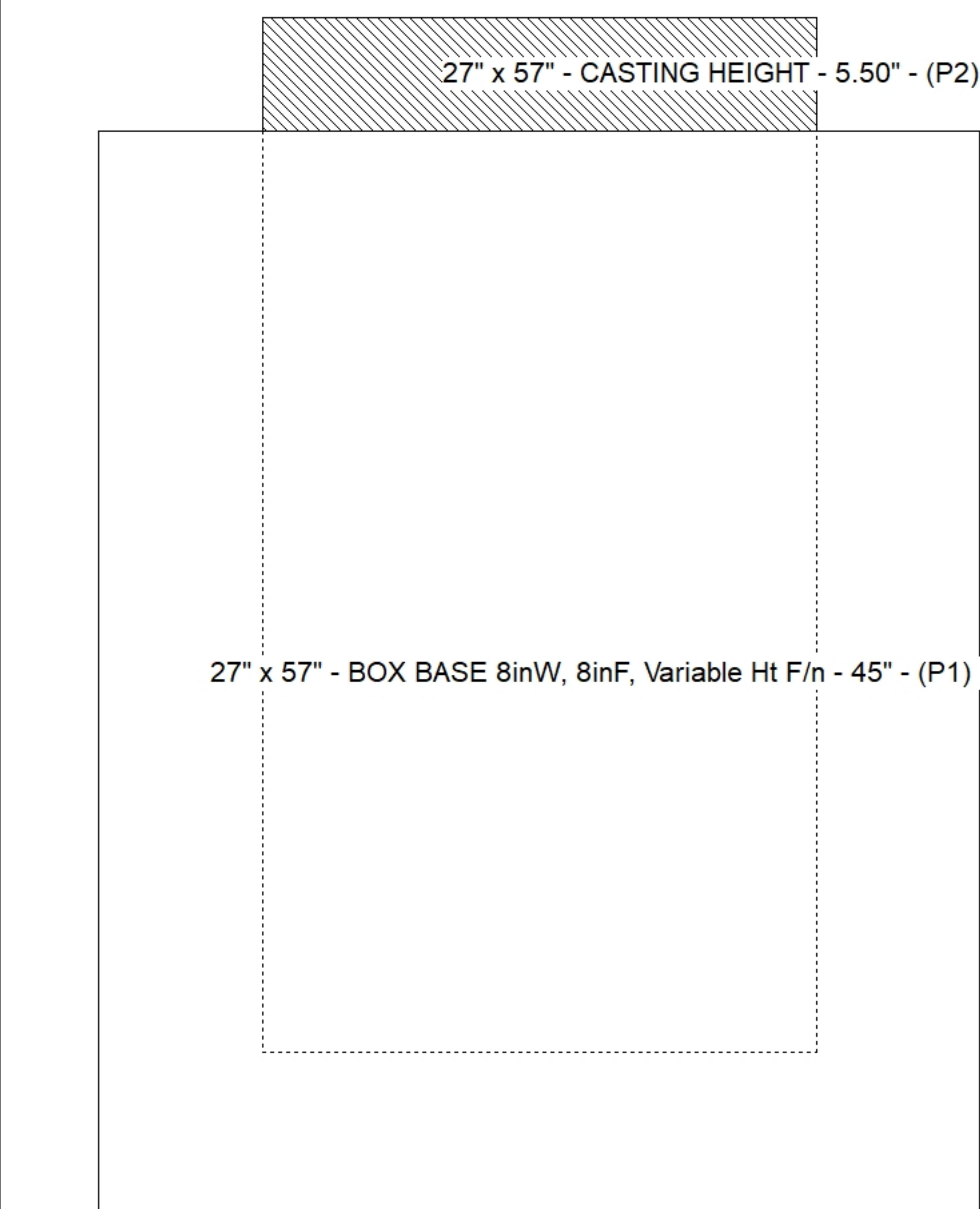
1. EJ 7355 DBL SET (F/G/H) PROVIDED BY ICAST.
2. PER ASTM C913 SPECIFICATIONS.
3. CONCRETE = 4,000 PSI AT 28 DAYS.
4. NO INVERT CHANNEL.
5. REINFORCING PER ASTM A615 (GRADE 60).
 - WALLS (As .12) #5 BARS AT 12" C.C.E.W.
 - FLOOR (As .12) #5 BARS AT 12" C.C.E.W.

STRUCTURE SUMMARY:

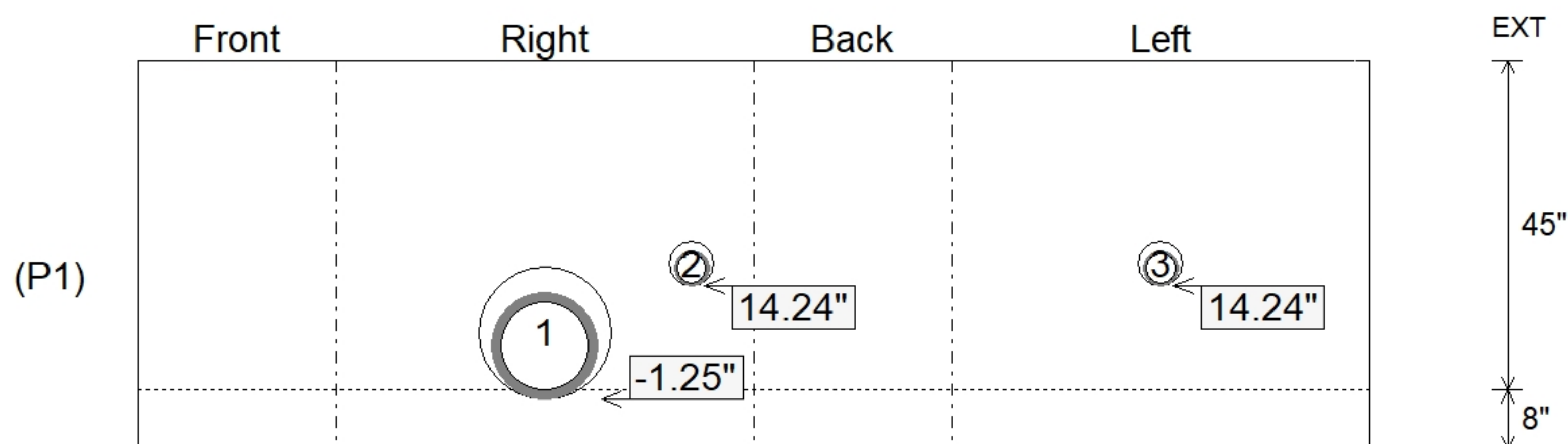
P2) 27" x 57" - CASTING HEIGHT - 5.50"	0 lb
P1) 27" x 57" - BOX BASE 8inW, 8inF, Variable Ht F/n - 45"	7940 lb
1) CASTING - EJ 7355 DBL SET (F/G/H)	442 lb
1) 27" x 57" - Conseal CS-102 1.00"	0 lb
1) Hole - 18	0 lb
2) Hole - 6	0 lb
Structure Total:	8382 lb



Position	Elev	Angle	Pipe	Pipe OD	Hole	Connector	Up (")	Ref
Rim	897.34'							
Reducer								
Invert 1	893.12'	90°	12" HDPE	14.5"	18"	Hole 18	-1.25"	P1
Invert 2	894.34'	90°	4" HDPE (perf pipe)	4.8"	6"	Hole 6	14.24"	P1
Invert 3	894.34'	270°	4" HDPE (perf pipe)	4.8"	6"	Hole 6	14.24"	P1
Invert 4								
Invert 5								
Invert 6								
Invert 7								
Invert 8								



Default - Interior Dimensions



Submittal Drawing
3/2/2026 1:33:46 PM

SUBMITTAL
APPROVED BY: