

Job Name: 26-1222 Woodvale Subdivision Ph.120-211-300  
 Job Location: Erlanger, KY  
 Contractor: Mago Construction Co. LLC

Plant: 100  
 2/26/2026 9:01:38 AM

Tech: Jared - A  
 PC: Celina Goff



**Structure ID: CB-27-68 CB2-2**

**P2 BX2424-08W06TVH-MT**

**BX MONOTOP 8"W/6"T w/HOE 280T CAST IN F/G**

- P3) 24" x 24" - CASTING (cast in) - 3"
- P2) 24" x 24" - BX MONOTOP 8"W/6"T w/HOE 280T CAST IN F/G - 30"
- P1) 24" x 24" - BOX BASE 8inW, 8inF T/n - 24"
- 1) CASTING - HOE 280T F/G
- 2) 24" x 24" - Conseal CS-102 1.00"
- 1) Hole - 16
- 4) Weir n/n - 24"x6"

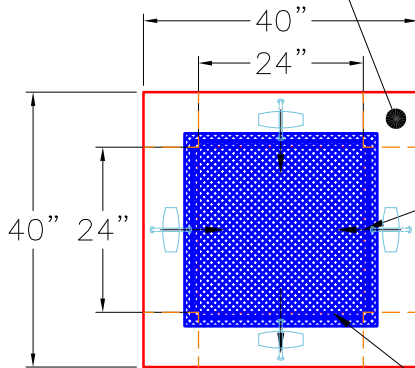
0 lb  
 2803 lb  
 3001 lb  
 182 lb  
 0 lb  
 0 lb  
 0 lb  
 -----  
 Structure Total: 5987 lb

- Structure Notes:**  
 PLAN LABEL: 27
1. HOE 280T F/G PROVIDED BY ICAST (CAST-IN).
  2. PER ASTM C913 SPECIFICATIONS.
  3. CONCRETE = 4,000 PSI AT 28 DAYS.
  4. NO INVERT CHANNEL.
  5. REINFORCING PER ASTM A615 (GRADE 60).  
 - WALLS (As .12) #5 BARS AT 12" C.C.E.W.  
 - FLOOR (As .12) #5 BARS AT 12" C.C.E.W.

GENERAL NOTES:

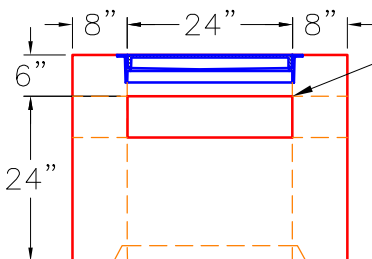
1. MANUFACTURED TO ASTM C-913 (LATEST REVISION).
2. CONCRETE: 4,000 PSI AT 28 DAYS.
3. REINFORCING PER ATSM A615 (GRADE 60)  
 TOP - #5 BAR @ 6" C.C. E.W.  
 WALLS - AS .12
4. WEIGHT: TOTAL = 2,803

TOP SURFACE TO HAVE  
 LIGHT BROOM FINISH

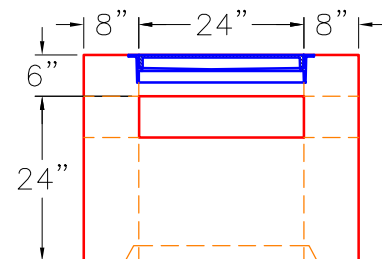


HOE 280T F/G  
 CAST IN CENTERED  
 (FLANGE UP)  
 AS SHOWN

4 EA. CONAC 5CA14  
 ANCHORS REQUIRED  
 FOR HANDLING.



4 EA. 30"W X 6"T  
 WEIR SLOTS @  
 ZERO, 90,  
 180, & 270



Coating (Int):  
 Coating (Ext):

Seam Up: Flat  
 Seam Dn: Groove

Wall Thickness: 8"

Height (Ext): 36"

Weight (Net): 2803 lb  
 Volume (Net): 0.72cu.yd