

**Job Name: 26-1222 Woodvale Subdivision Ph.120-211-300**  
**Job Location: Erlanger, KY**  
**Contractor: Mago Construction Co. LLC**

PC: Celina Goff  
 TECH: Jared - A  
 Plant: 100



Structure ID: **CB-23-60 CB2-2**

Spec: Storm  
 Type: STM.MH  
 Size: 48"

Rim: 851.2'  
 Invert: 845.98'  
 Rim to Invert: 5.22'

Sump: 1.9"  
 Floor (Top): 845.822'  
 Floor Height: 6"

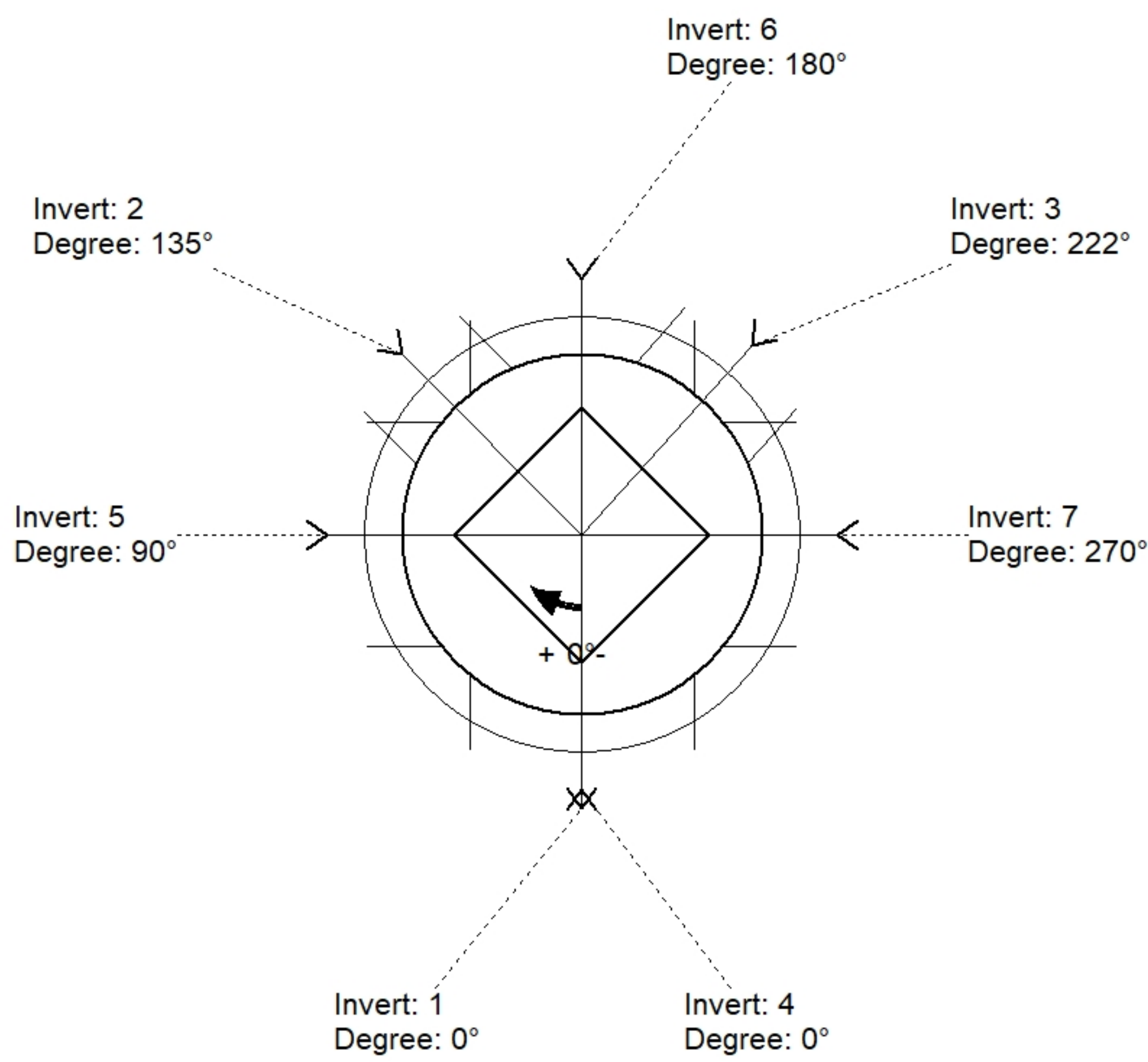
Floor (Bot): 845.322'  
 Overall Height: 5.833'  
 Slack: 0.54"

**Structure Notes:**

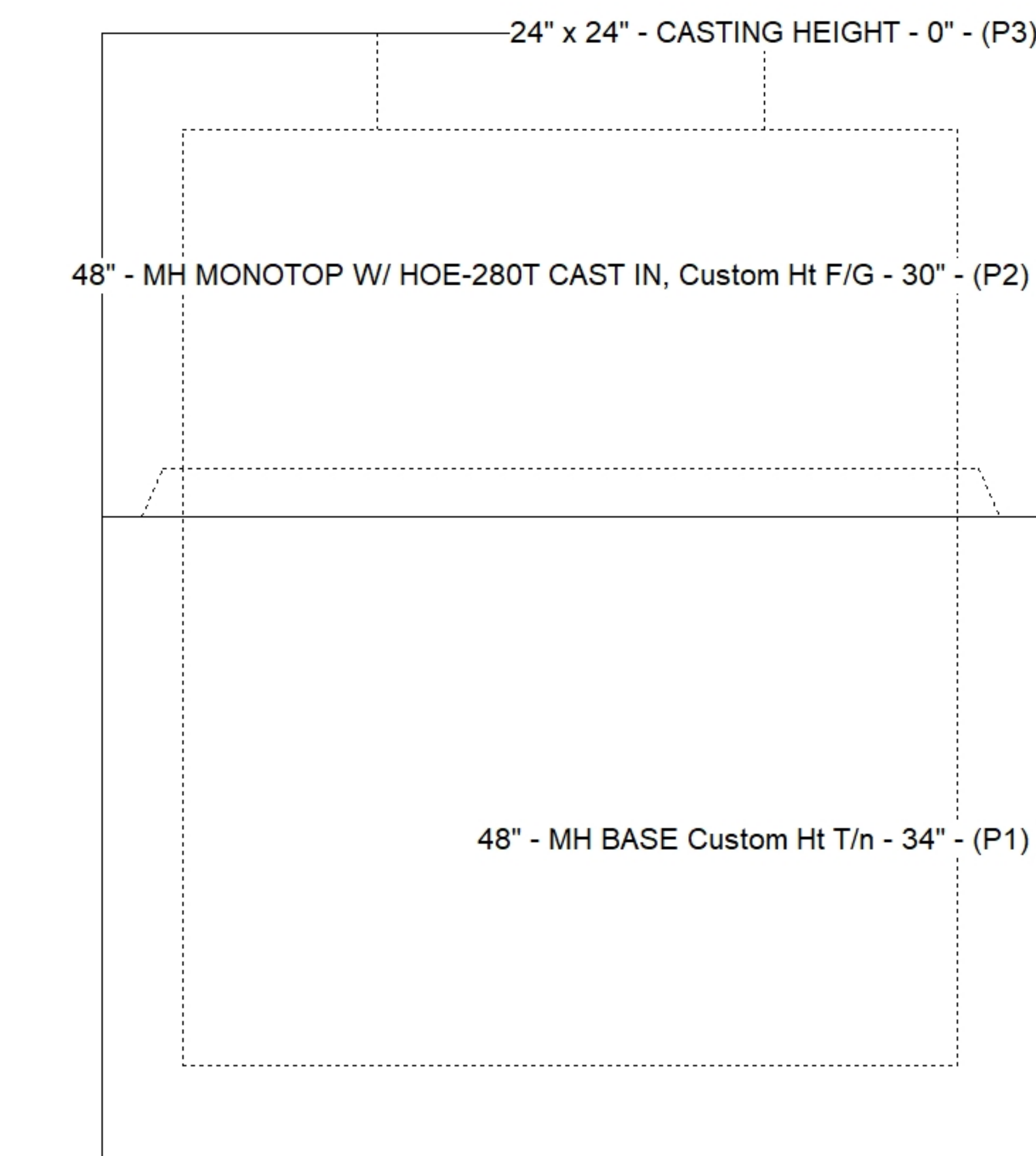
- PLAN LABEL: 23
- HOE 280T F/G PROVIDED BY ICAST (CAST-IN).
  - PER ASTM C478 SPECIFICATIONS.
  - CONCRETE = 4,000 PSI AT 28 DAYS.
  - REINFORCING PER ASTM A615 (GRADE 60).
    - TOP SLAB (As .62) #5 BARS AT 6" C.C.E.W.
    - RISER/WALLS (As .12)
    - FLOOR (As .31) #5 BARS AT 12" C.C.E.W.

**STRUCTURE SUMMARY:**

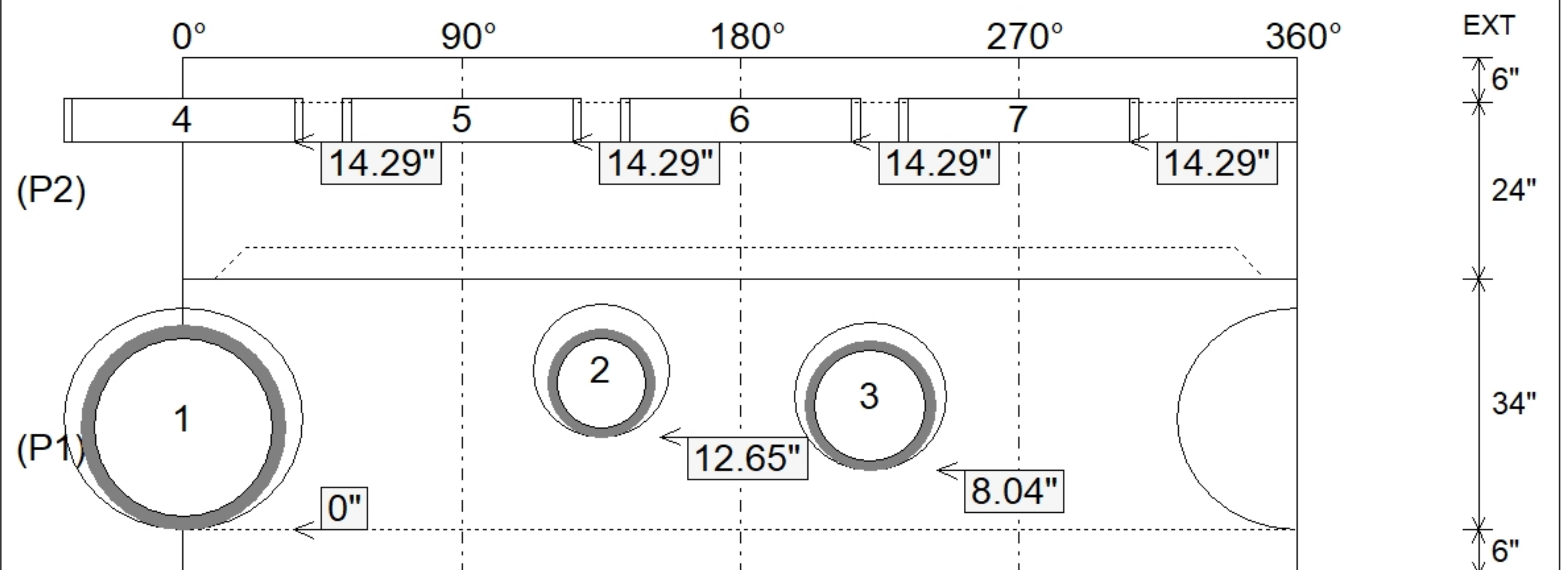
P3) 24" x 24" - CASTING HEIGHT - 0"	0 lb
P2) 48" - MH MONOTOP W/ HOE-280T CAST IN, Custom Ht F/G - 30"	2395 lb
P1) 48" - MH BASE Custom Ht T/n - 34"	3136 lb
1) CASTING - HOE 280T F/G	182 lb
1) 48" - Conseal CS-102 1.00"	0 lb
1) 24" x 24" - Conseal CS-102 1.00"	0 lb
1) Hole - 30	0 lb
1) Hole - 18	0 lb
1) Hole - 20	0 lb
4) Weir n/n - 30"x6"	0 lb
<b>Structure Total:</b>	<b>5713 lb</b>



Position	Elev	Angle	Pipe	Pipe OD	Hole	Connector	Up (")	Ref
Rim	851.2'							
Reducer								
Invert 1	845.98'	0°	24" HDPE	27.8"	30"	Hole 30	0"	P1
Invert 2	846.98'	135°	12" HDPE	14.5"	18"	Hole 18	12.65"	P1
Invert 3	846.6'	222°	15" HDPE	17.6"	20"	Hole 20	8.04"	P1
Invert 4	850.2'	0°	30" x 6" Weir	30" x 6"	30" x 6"	Weir 30"x6"	14.29"	P2
Invert 5	850.2'	90°	30" x 6" Weir	30" x 6"	30" x 6"	Weir 30"x6"	14.29"	P2
Invert 6	850.2'	180°	30" x 6" Weir	30" x 6"	30" x 6"	Weir 30"x6"	14.29"	P2
Invert 7	850.2'	270°	30" x 6" Weir	30" x 6"	30" x 6"	Weir 30"x6"	14.29"	P2
Invert 8								



**Default - Interior Dimensions**



Submittal Drawing  
 3/2/2026 1:33:58 PM

SUBMITTAL  
 APPROVED BY: