

Job Name: 26-1210 Sacramento Gravity Sewer  
 Job Location: Sacramento, KY  
 Contractor: Scott & Ritter, Inc.

Plant: Beaver Dam  
 4/23/2026 8:36:19 AM

Tech: S. Felletter  
 PC: T. Lewis



**Structure ID: EMH1-39 SS-MH**

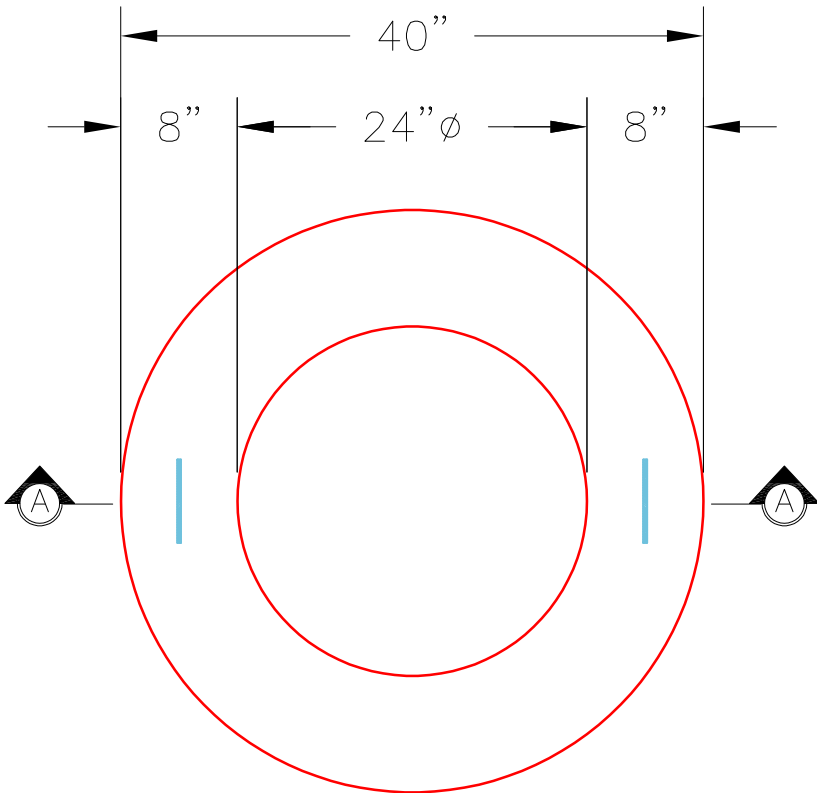
**P4 GR4**

**GRADE RING F/F**

- P5) 24" - CASTING HEIGHT - 7"
- P4) 24" - GRADE RING F/F - 4"
- P3) 48" - ECC CONE w/ 24" HOLE F/G - 30"
- P2) 48" - MH RISER T/G - 60"
- P1) 48" - MH BASE T/h - 30"
- 1) JOINT WRAP - 0.065"x6"x50' CONSEAL CS212
- 1) JOINT WRAP PRIMER - CONSEAL CS-75 (1 gal.)
- 1) 48" - MH INVERT CHANNEL - FULL HEIGHT
- 2) 48" - Conseal CS-102 1.00" (Double)
- 2) PSX - 12-08 DD (DBL Bands)
- 10) MH Step ML-10-TDS-NCR - 10"

0 lb  
 270 lb  
 2050 lb  
 4192 lb  
 3330 lb  
 0 lb  
 0 lb  
 1440 lb  
 0 lb  
 16 lb  
 0 lb  
 -----  
 Structure Total: 11298 lb

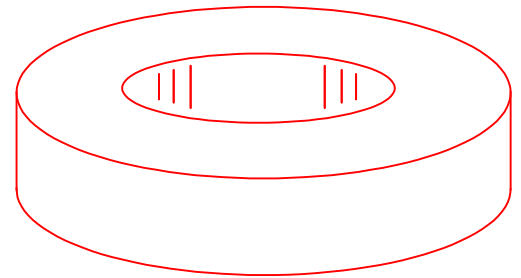
**Structure Notes:**  
 1. PER ASTM C478 SPECIFICATIONS.  
 2. CONCRETE = 4,000 PSI AT 28 DAYS.  
 3. CASTING BY OTHERS.  
  
 REINFORCING PER ASTM A615 (GRADE 60).  
 - CONE (As .12)  
 - RISER/WALLS (As .12)  
 - FLOOR (As .31) #5 BARS AT 12" C.C.E.W.



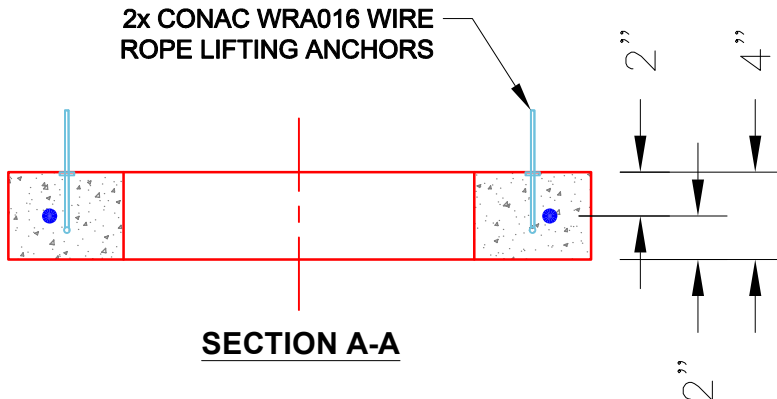
**PLAN VIEW**

**NOTES:**

1. GRADE RINGS MEET OR EXCEED THE FOLLOWING SPECIFICATIONS:  
 - CONCRETE: 4,000 PSI @ 28 DAYS.  
 - REINFORCING: (1) #3 HOOP CENTERED (GRADE 60)
2. WEIGHT: 4" 270 Lbs.



**ISOMETRIC VIEW**



**SECTION A-A**

Coating (Int):  
 Coating (Ext):

Seam Up: Flat  
 Seam Dn: Flat

Wall Thickness: 8"

Height (Ext): 4"

Weight (Net): 270 lb  
 Volume (Net): 0.07cu.yd