

Job Name: 26-1210 Sacramento Gravity Sewer
Job Location: Sacramento, KY
Contractor: Scott & Ritter, Inc.

PC: T. Lewis
 TECH: S. Felletter
 Plant: Beaver Dam



Structure ID: **DMH6-33 SS-MH**

Spec: Sanitary
 Type: SAN.MH
 Size: 48"

Rim: 481.42'
 Invert: 474.43'
 Rim to Invert: 6.99'

Sump: 2"
 Floor (Top): 474.263'
 Floor Height: 6"

Floor (Bot): 473.763'
 Overall Height: 7.583'
 Slack: 0.88"

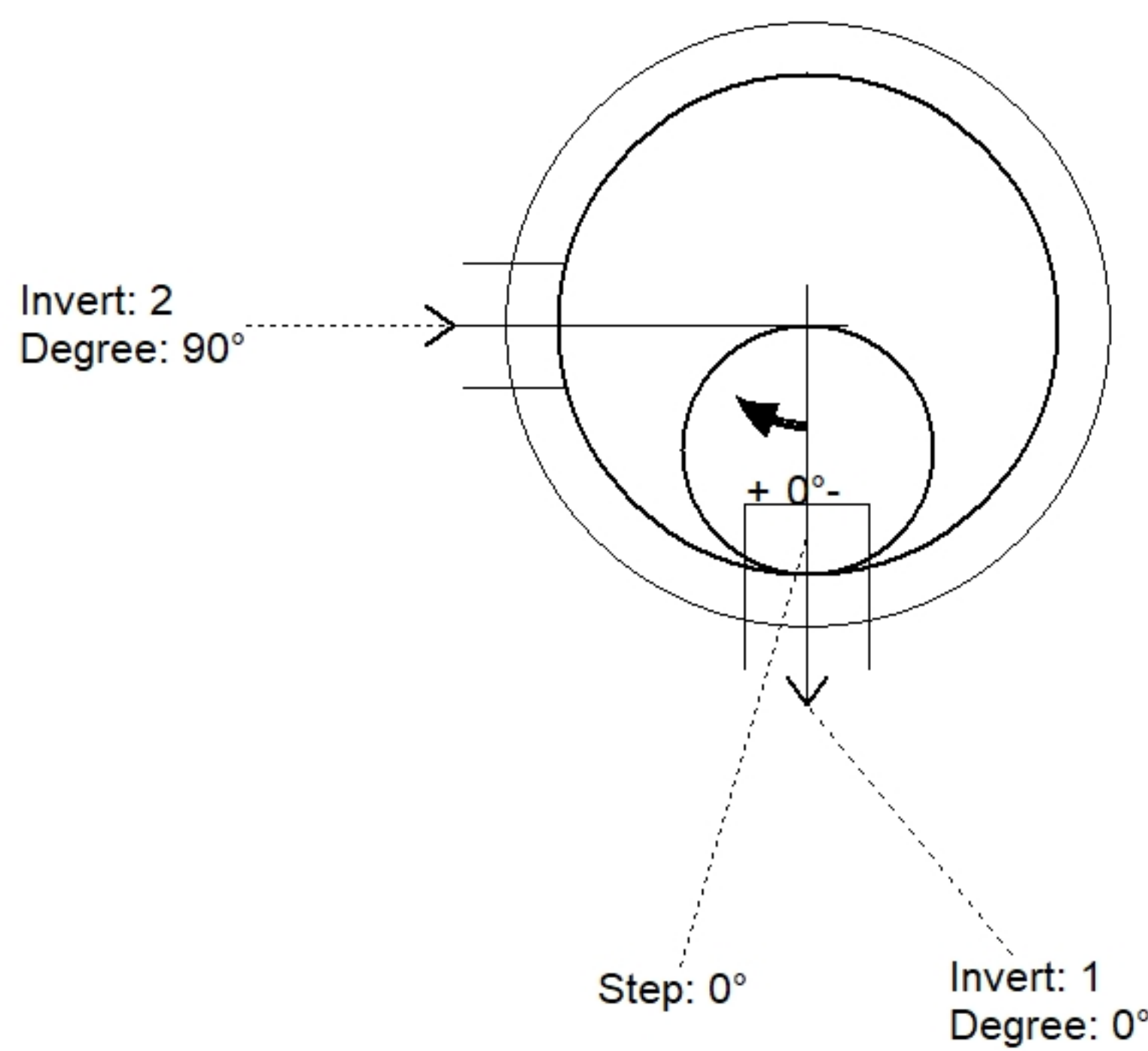
Structure Notes:

1. PER ASTM C478 SPECIFICATIONS.
2. CONCRETE = 4,000 PSI AT 28 DAYS.
3. CASTING BY OTHERS.

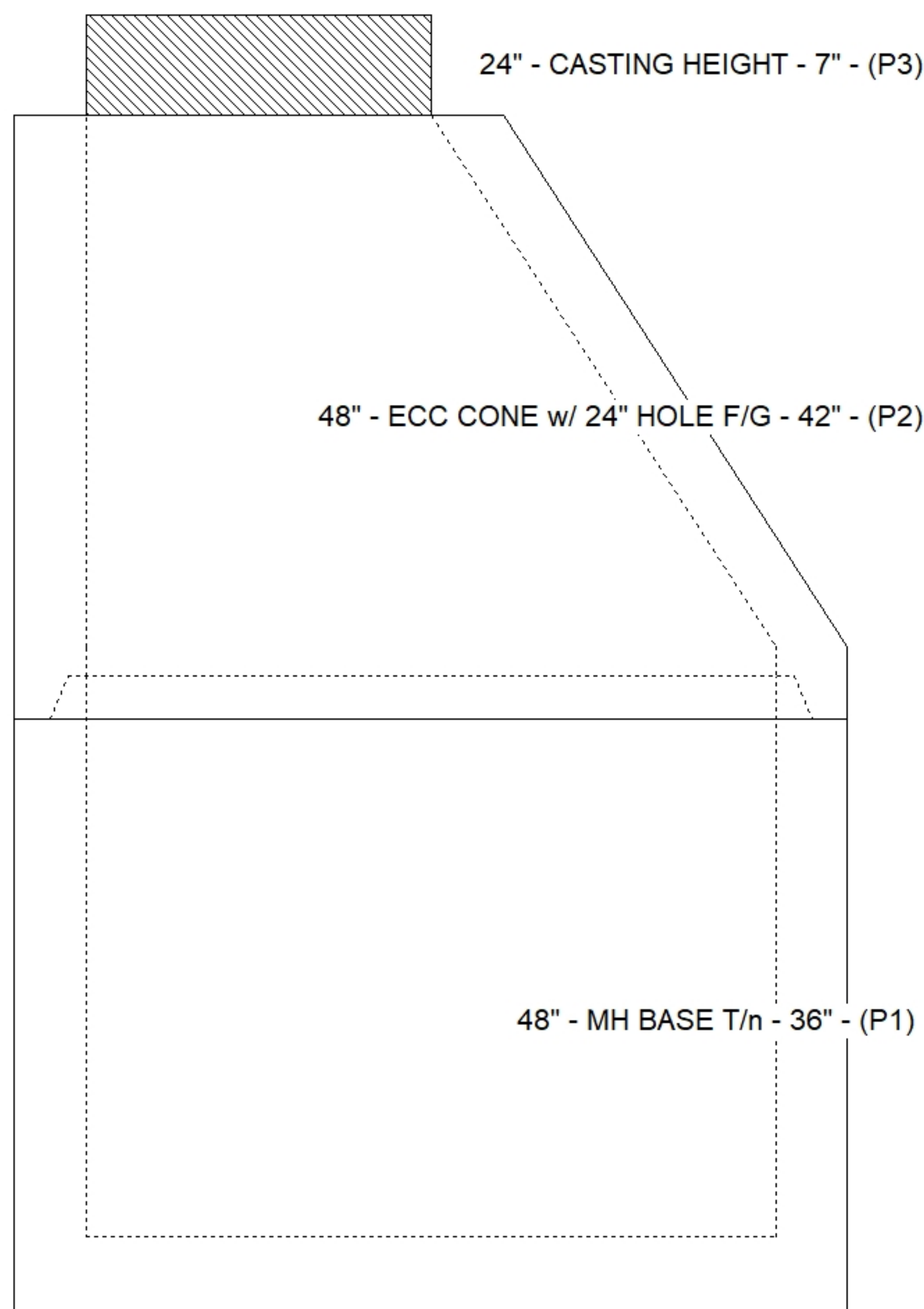
REINFORCING PER ASTM A615 (GRADE 60).
 - CONE (As .12)
 - RISER/WALLS (As .12)
 - FLOOR (As .31) #5 BARS AT 12" C.C.E.W.

STRUCTURE SUMMARY:

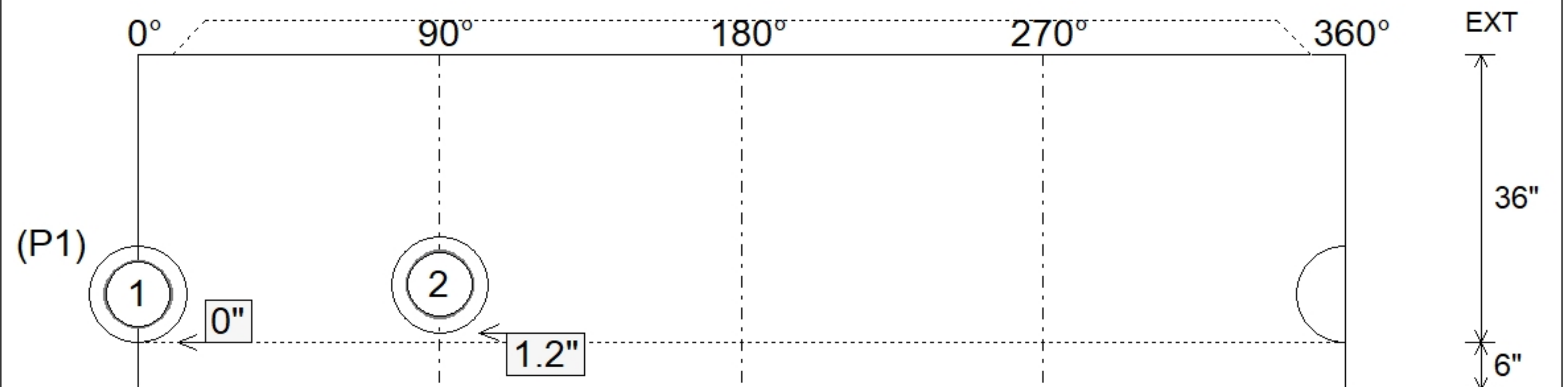
| | |
|---|----------------|
| P3) 24" - CASTING HEIGHT - 7" | 0 lb |
| P2) 48" - ECC CONE w/ 24" HOLE F/G - 42" | 3200 lb |
| P1) 48" - MH BASE T/n - 36" | 3749 lb |
| 1) JOINT WRAP - 0.065"x6"x50' CONSEAL CS212 | 0 lb |
| 1) JOINT WRAP PRIMER - CONSEAL CS-75 (1 gal.) | 0 lb |
| 1) 48" - MH INVERT CHANNEL - FULL HEIGHT | 1440 lb |
| 1) 48" - Conesal CS-102 1.00" (Double) | 0 lb |
| 2) PSX - 12-08 DD (DBL Bands) | 16 lb |
| 6) MH Step ML-10-TDS-NCR - 10" | 0 lb |
| Structure Total: | 8405 lb |



| Position | Elev | Angle | Pipe | Pipe OD | Hole | Connector | Up (") | Ref |
|----------|---------|-------|--------------|---------|------|--------------------------|--------|-----|
| Rim | 481.42' | | | | | | | |
| Reducer | | | | | | | | |
| Invert 1 | 474.43' | 0° | 8" PVC SDR35 | 8.5" | 12" | PSX 12-08 DD (DBL Bands) | 0" | P1 |
| Invert 2 | 474.53' | 90° | 8" PVC SDR35 | 8.5" | 12" | PSX 12-08 DD (DBL Bands) | 1.2" | P1 |
| Invert 3 | | | | | | | | |
| Invert 4 | | | | | | | | |
| Invert 5 | | | | | | | | |
| Invert 6 | | | | | | | | |
| Invert 7 | | | | | | | | |
| Invert 8 | | | | | | | | |



Default - Interior Dimensions



Submittal Drawing
 4/24/2026 8:08:27 AM

SUBMITTAL
 APPROVED BY: