

Job Name: 26-1210 Sacramento Gravity Sewer
Job Location: Sacramento, KY
Contractor: Scott & Ritter, Inc.

PC: T. Lewis
 TECH: S. Felletter
 Plant: Beaver Dam



Structure ID: DMH11-38 SS-MH

Spec: Sanitary
 Type: SAN.MH
 Size: 48"

Rim: 498.25'
 Invert: 493.32'
 Rim to Invert: 4.93'

Sump: 2"
 Floor (Top): 493.153'
 Floor Height: 6"

Floor (Bot): 492.653'
 Overall Height: 5.583'
 Slack: 0.16"

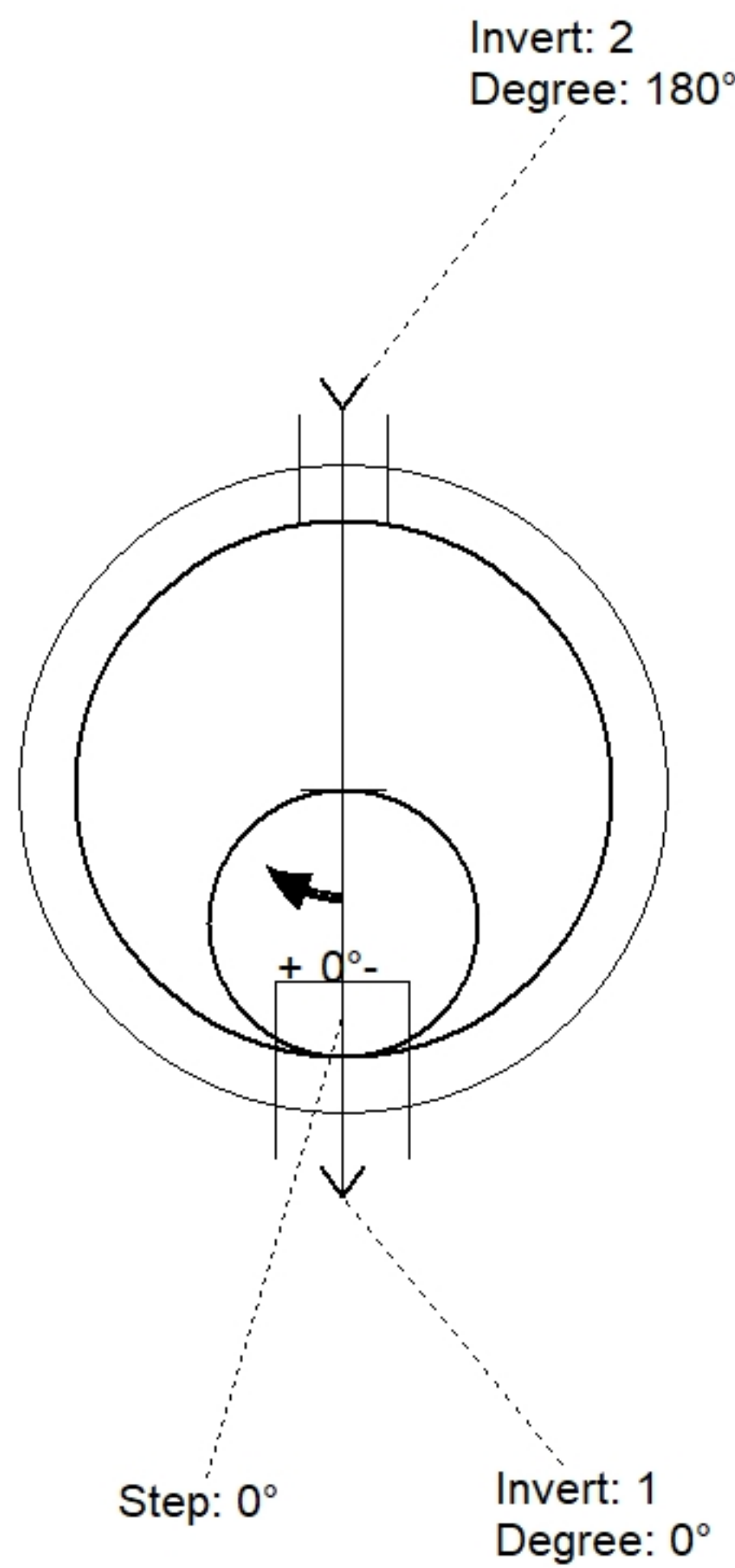
Structure Notes:

1. PER ASTM C478 SPECIFICATIONS.
2. CONCRETE = 4,000 PSI AT 28 DAYS.
3. CASTING BY OTHERS.

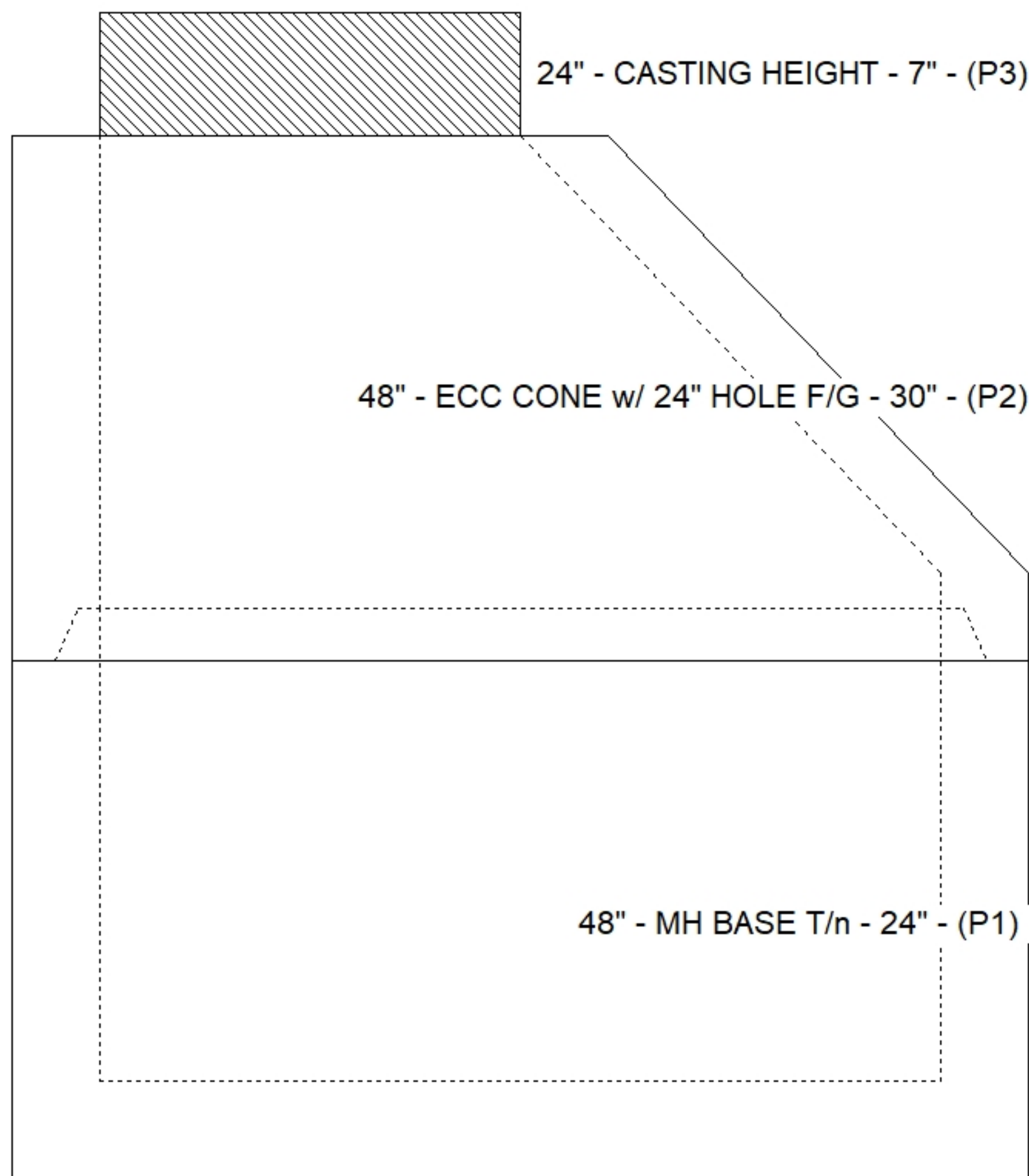
REINFORCING PER ASTM A615 (GRADE 60).
 - CONE (As .12)
 - RISER/WALLS (As .12)
 - FLOOR (As .31) #5 BARS AT 12" C.C.E.W.

STRUCTURE SUMMARY:

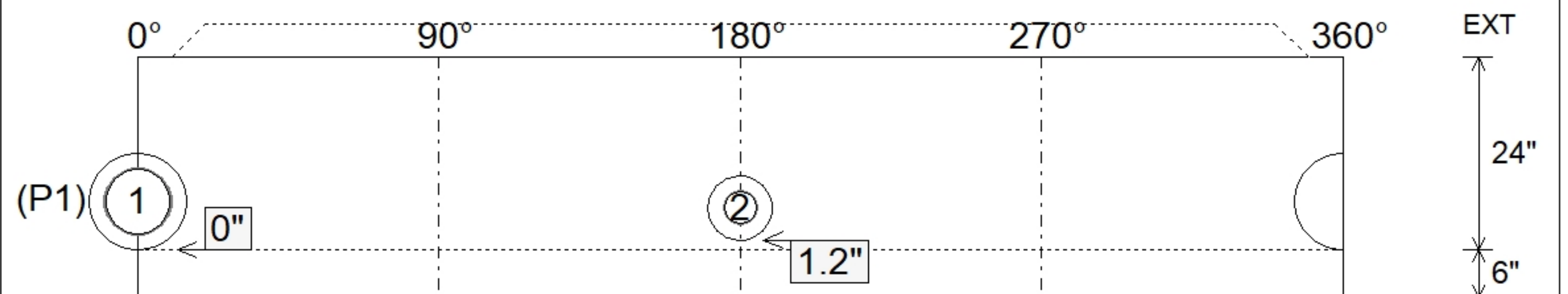
| | |
|---|----------------|
| P3) 24" - CASTING HEIGHT - 7" | 0 lb |
| P2) 48" - ECC CONE w/ 24" HOLE F/G - 30" | 2050 lb |
| P1) 48" - MH BASE T/n - 24" | 2938 lb |
| 1) JOINT WRAP - 0.065"x6"x50' CONSEAL CS212 | 0 lb |
| 1) JOINT WRAP PRIMER - CONSEAL CS-75 (1 gal.) | 0 lb |
| 1) 48" - MH INVERT CHANNEL - FULL HEIGHT | 1440 lb |
| 1) 48" - Conseal CS-102 1.00" (Double) | 0 lb |
| 1) PSX - 12-08 DD (DBL Bands) | 8 lb |
| 1) PSX - 8QRS DD (DBL Bands) | 6 lb |
| 4) MH Step ML-10-TDS-NCR - 10" | 0 lb |
| Structure Total: | 6442 lb |



| Position | Elev | Angle | Pipe | Pipe OD | Hole | Connector | Up (") | Ref |
|----------|---------|-------|--------------|---------|------|--------------------------|--------|-----|
| Rim | 498.25' | | | | | | | |
| Reducer | | | | | | | | |
| Invert 1 | 493.32' | 0° | 8" PVC SDR35 | 8.5" | 12" | PSX 12-08 DD (DBL Bands) | 0" | P1 |
| Invert 2 | 493.42' | 180° | 4" PVC SDR35 | 4.25" | 8" | PSX 8QRS DD (DBL Bands) | 1.2" | P1 |
| Invert 3 | | | | | | | | |
| Invert 4 | | | | | | | | |
| Invert 5 | | | | | | | | |
| Invert 6 | | | | | | | | |
| Invert 7 | | | | | | | | |
| Invert 8 | | | | | | | | |



Default - Interior Dimensions



Submittal Drawing
 4/24/2026 8:08:29 AM

SUBMITTAL
 APPROVED BY: