

Job Name: 26-1210 Sacramento Gravity Sewer
Job Location: Sacramento, KY
Contractor: Scott & Ritter, Inc.

PC: T. Lewis
 TECH: S. Felletter
 Plant: Beaver Dam



Structure ID: DMH10-37 SS-MHD

Spec: Sanitary
 Type: SAN.MH w/Ext. Drop
 Size: 48"

Rim: 492.82'
 Invert: 483.16'
 Rim to Invert: 9.66'

Sump: 2"
 Floor (Top): 482.993'
 Floor Height: 6"

Floor (Bot): 482.493'
 Overall Height: 10.333'
 Slack: -0.08"

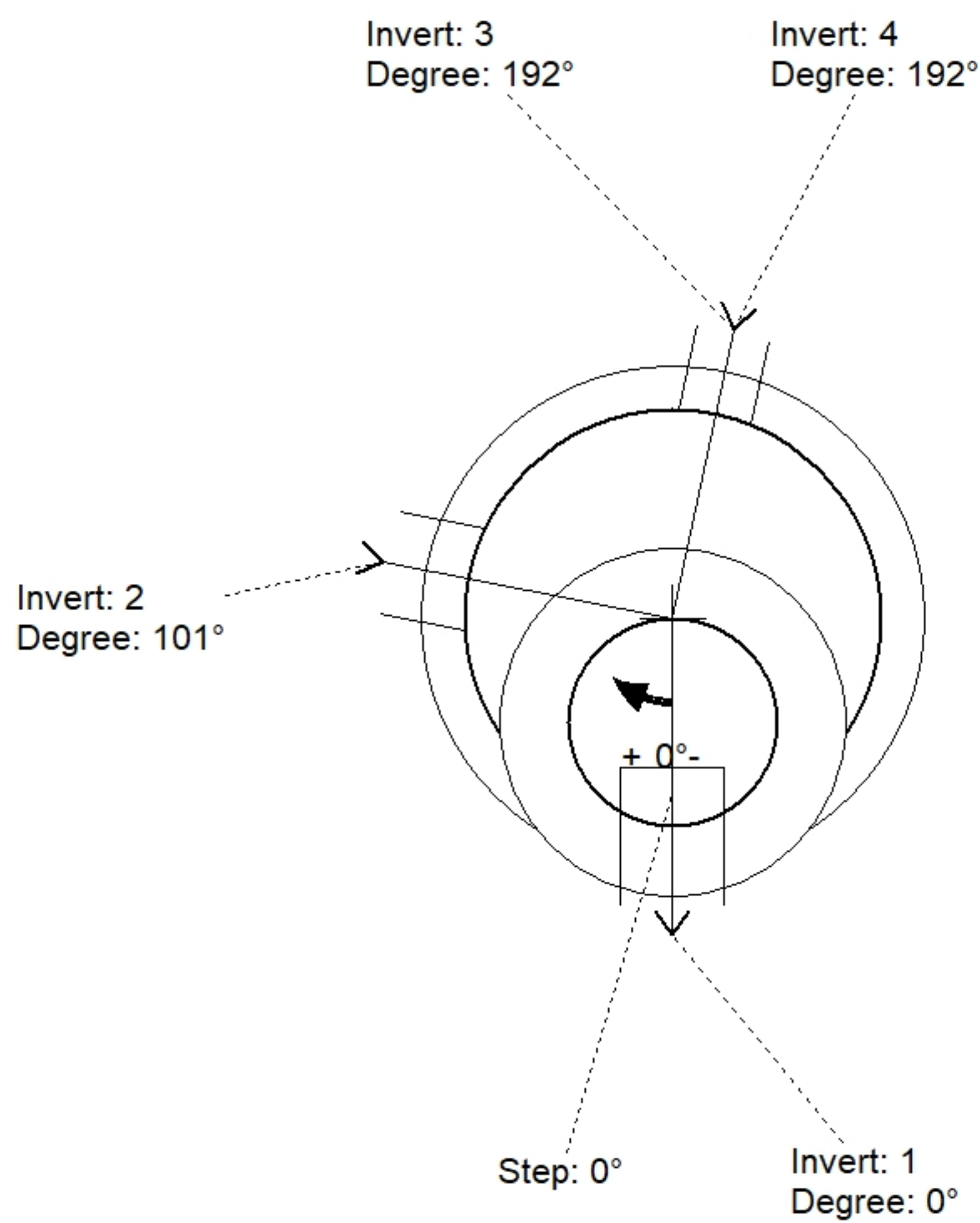
Structure Notes:

1. PER ASTM C478 SPECIFICATIONS.
2. CONCRETE = 4,000 PSI AT 28 DAYS.
3. CASTING BY OTHERS.
4. EXTERIOR DROP ASSEMBLY @ 192 DEGREES.

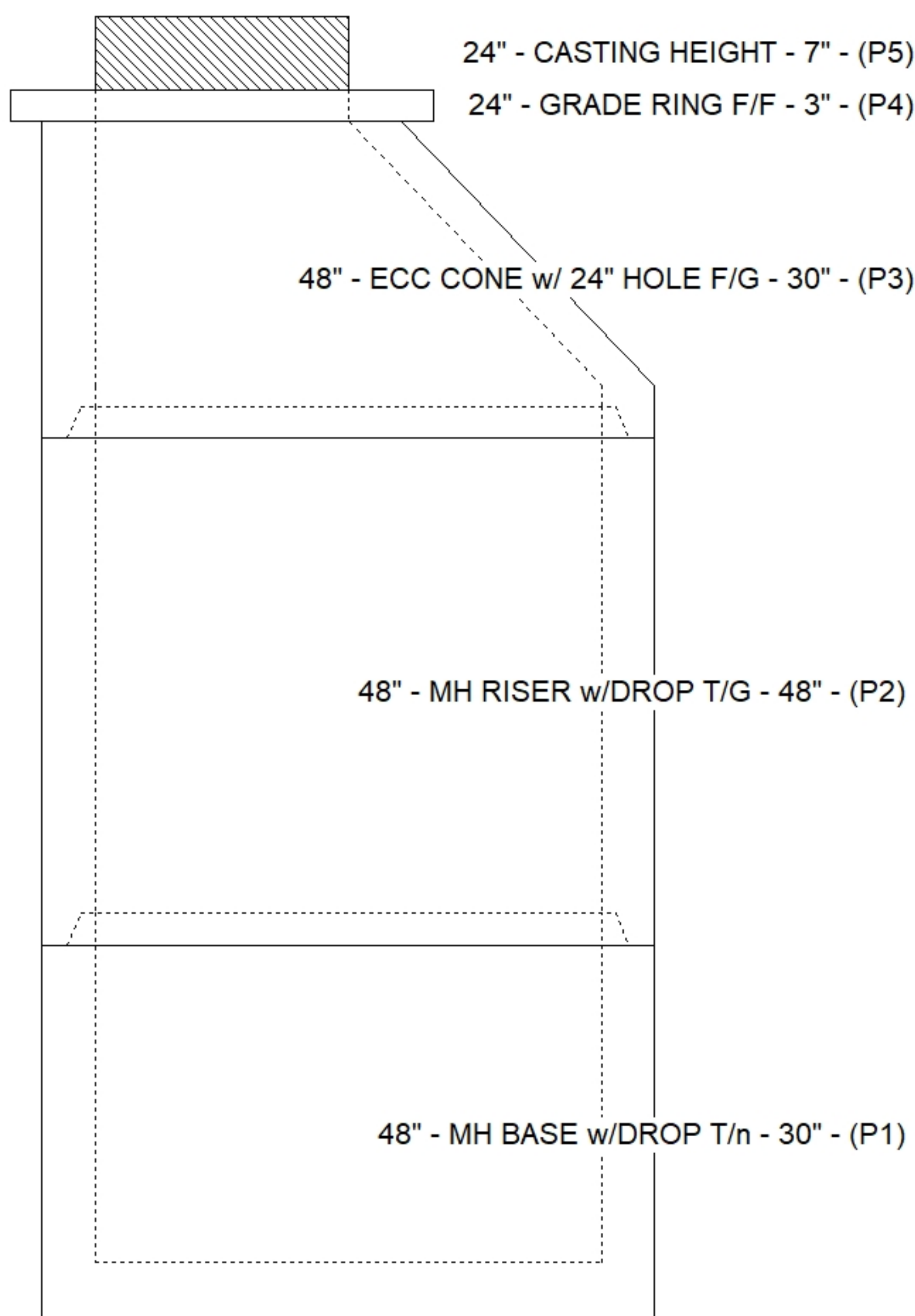
REINFORCING PER ASTM A615 (GRADE 60).
 - CONE (As .12)
 - RISER/WALLS (As .12)
 - FLOOR (As .31) #5 BARS AT 12" C.C.E.W.

STRUCTURE SUMMARY:

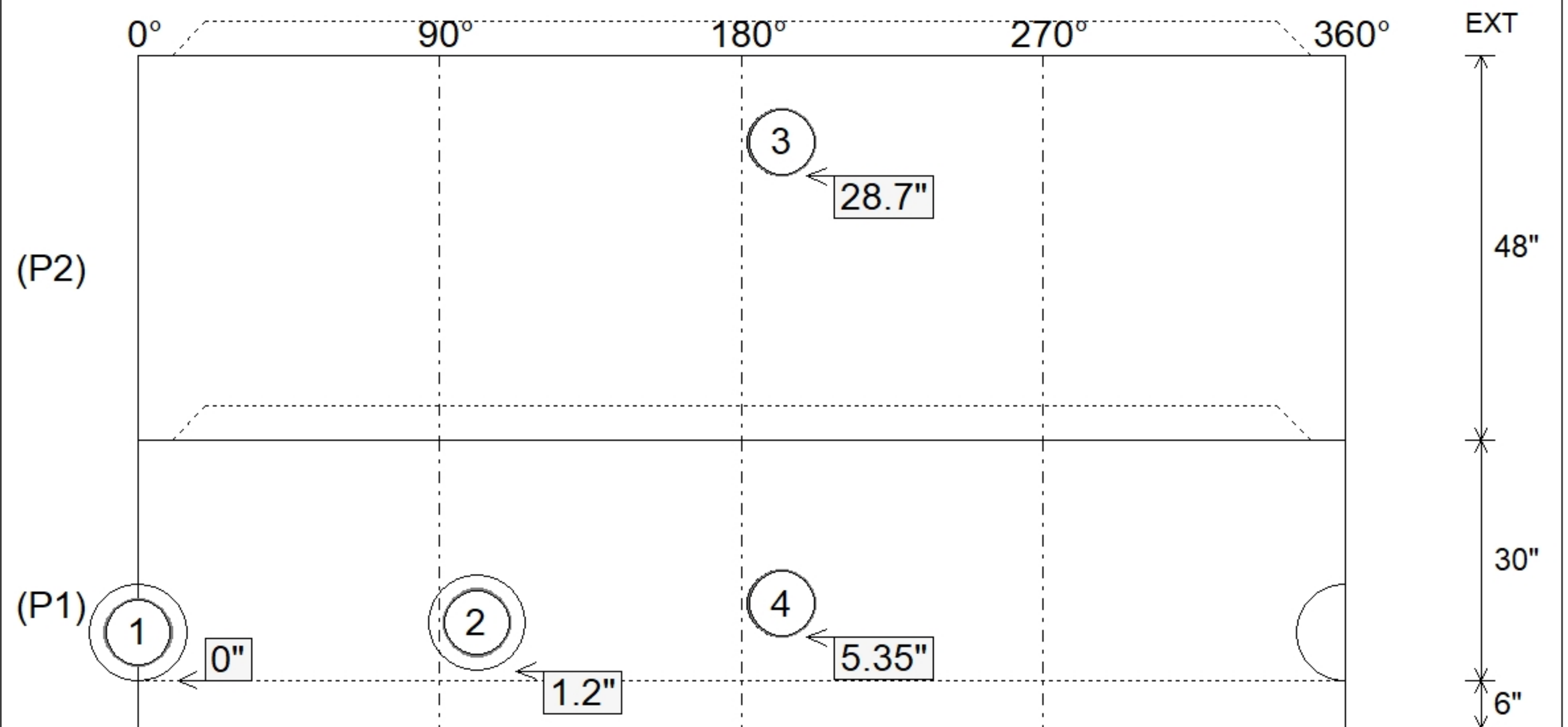
P5) 24" - CASTING HEIGHT - 7"	0 lb
P4) 24" - GRADE RING F/F - 3"	202 lb
P3) 48" - ECC CONE w/ 24" HOLE F/G - 30"	2050 lb
P2) 48" - MH RISER w/DROP T/G - 48"	3329 lb
P1) 48" - MH BASE w/DROP T/n - 30"	3306 lb
1) JOINT WRAP - 0.065"x6"x50' CONSEAL CS212	0 lb
1) JOINT WRAP PRIMER - CONSEAL CS-75 (1 gal.)	0 lb
1) 48" - MH INVERT CHANNEL - FULL HEIGHT	1440 lb
2) 48" - Conseal CS-102 1.00" (Double)	0 lb
2) PSX - 12-08 DD (DBL Bands)	16 lb
1) Drop Tee - 8" PVC	0 lb
1) Drop Elbow - 8" PVC	0 lb
9) MH Step ML-10-TDS-NCR - 10"	0 lb
Structure Total:	10344 lb



Position	Elev	Angle	Pipe	Pipe OD	Hole	Connector	Up (")	Ref
Rim	492.82'							
Reducer								
Invert 1	483.16'	0°	8" PVC SDR35	8.5"	12"	PSX 12-08 DD (DBL Bands)	0"	P1
Invert 2	483.26'	101°	8" PVC SDR35	8.5"	12"	PSX 12-08 DD (DBL Bands)	1.2"	P1
Invert 3	488.26'	192°	8" PVC SDR35	8.5"	8.5"	Drop Tee 8" PVC	28.7"	P2
Invert 4	483.46'	192°	8" PVC SDR35	8.5"	8.5"	Drop Elbow 8" PVC	5.35"	P1
Invert 5								
Invert 6								
Invert 7								
Invert 8								



Default - Interior Dimensions



Submittal Drawing
 4/24/2026 8:08:28 AM

SUBMITTAL
 APPROVED BY: