

| | | | |
|--|----------------------|--------------------|--|
| Job Name: 26-1210 Sacramento Gravity Sewer Job Location: Sacramento, KY Contractor: Scott & Ritter, Inc. | Plant: Beaver Dam | Tech: S. Felletter |  |
| | 4/24/2026 8:09:37 AM | PC: T. Lewis | |

Structure ID: DMH10-37 SS-MHD

P3 MH048CN30

ECC CONE w/ 24" HOLE F/G

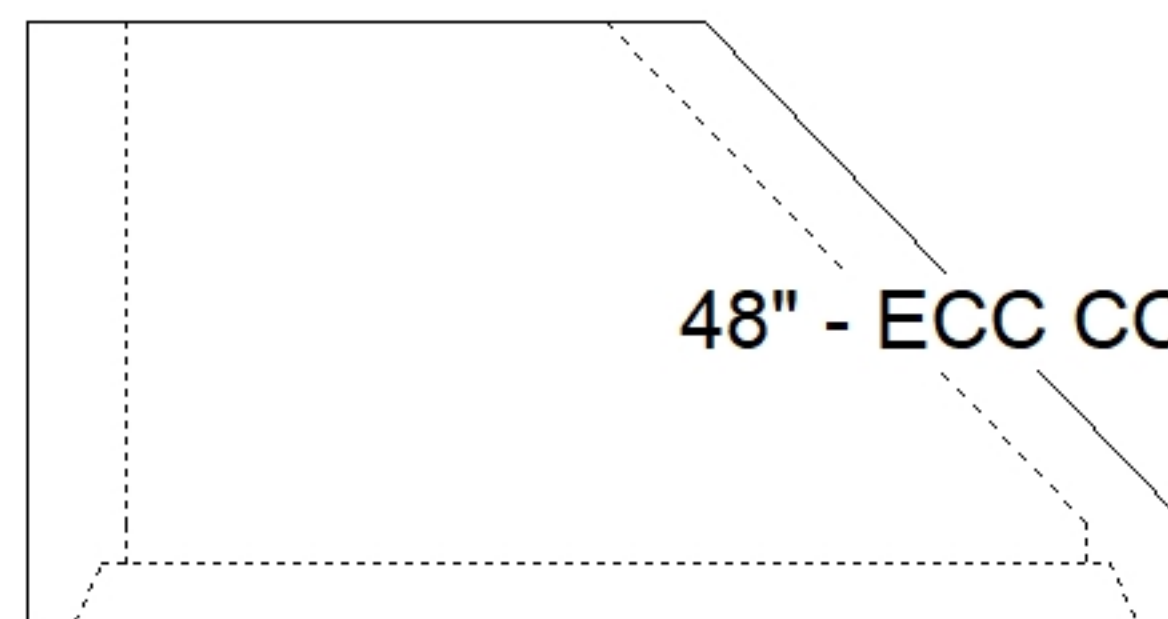
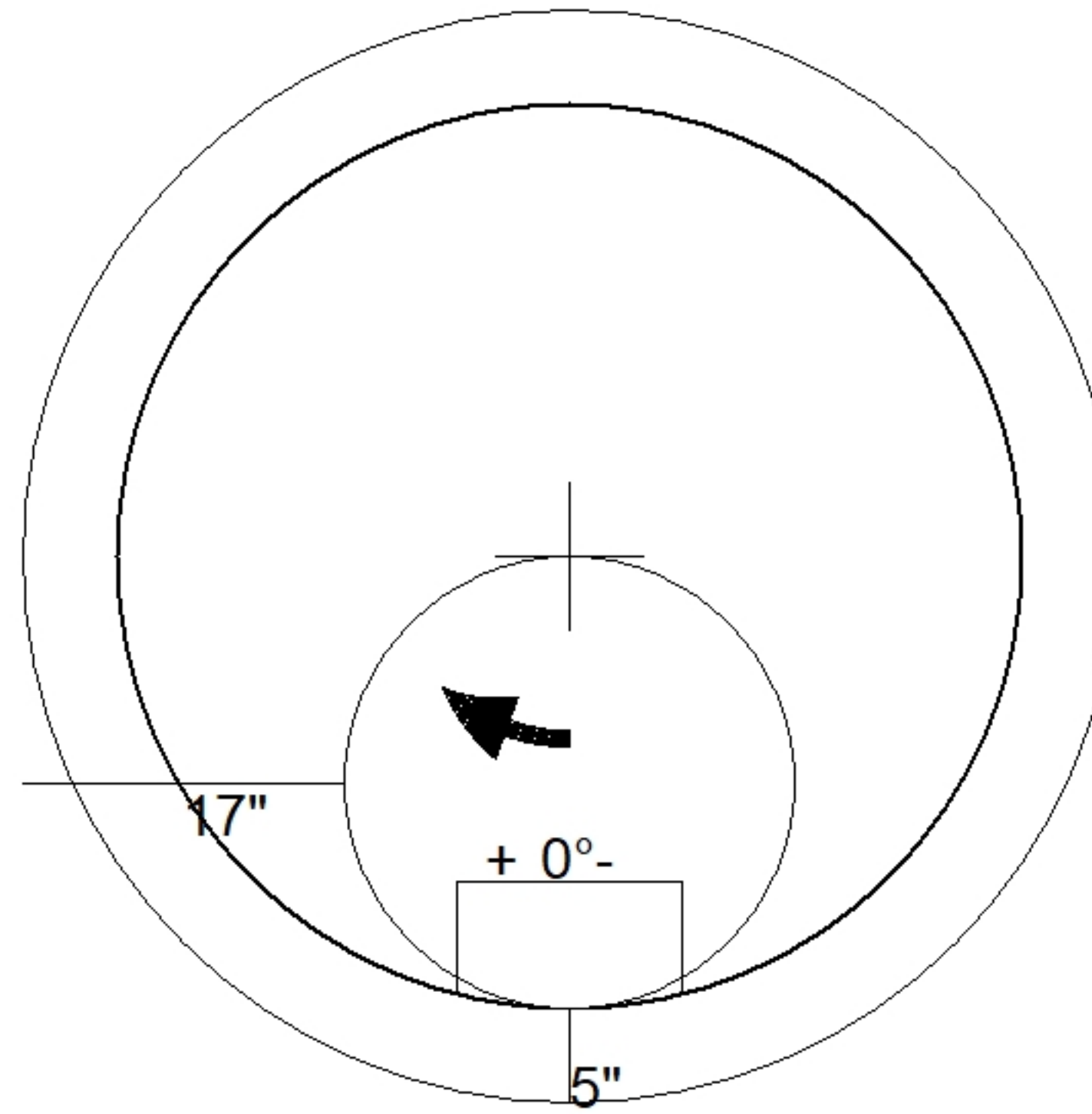
| | |
|---|----------|
| P5) 24" - CASTING HEIGHT - 7" | 0 lb |
| P4) 24" - GRADE RING F/F - 3" | 202 lb |
| P3) 48" - ECC CONE w/ 24" HOLE F/G - 30" | 2050 lb |
| P2) 48" - MH RISER w/DROP T/G - 48" | 3329 lb |
| P1) 48" - MH BASE w/DROP T/n - 30" | 3306 lb |
| 1) JOINT WRAP - 0.065"x6"x50' CONSEAL CS212 | 0 lb |
| 1) JOINT WRAP PRIMER - CONSEAL CS-75 (1 gal.) | 0 lb |
| 1) 48" - MH INVERT CHANNEL - FULL HEIGHT | 1440 lb |
| 2) 48" - Conseal CS-102 1.00" (Double) | 0 lb |
| 2) PSX - 12-08 DD (DBL Bands) | 16 lb |
| 1) Drop Tee - 8" PVC | 0 lb |
| 1) Drop Elbow - 8" PVC | 0 lb |
| 9) MH Step ML-10-TDS-NCR - 10" | 0 lb |
| Structure Total: | 10344 lb |

Structure Notes:

- PER ASTM C478 SPECIFICATIONS.
- CONCRETE = 4,000 PSI AT 28 DAYS.
- CASTING BY OTHERS.
- EXTERIOR DROP ASSEMBLY @ 192 DEGREES.

REINFORCING PER ASTM A615 (GRADE 60).

- CONE (As .12)
- RISER/WALLS (As .12)
- FLOOR (As .31) #5 BARS AT 12" C.C.E.W.



48" - ECC CONE w/ 24" HOLE F/G - 30" - (P3)

| | | | | |
|----------------|-----------------|--------------------|-------------------|-------------------------|
| Coating (Int): | Seam Up: Flat | Wall Thickness: 5" | Height (Ext): 30" | Weight (Net): 2050 lb |
| Coating (Ext): | Seam Dn: Groove | | | Volume (Net): 0.41cu.yd |