

Job Name: 26-1210 Sacramento Gravity Sewer
Job Location: Sacramento, KY
Contractor: Scott & Ritter, Inc.

PC: T. Lewis
 TECH: S. Felletter
 Plant: Beaver Dam



Structure ID: **DMH1-28 SS-MHDH**
 Spec: Sanitary
 Type: DH Manhole
 Size: 48"

Rim: 477.56'
 Invert: 469.65'
 Rim to Invert: 7.91'

Sump: 6"
 Floor (Top): 469.15'
 Floor Height: 0"

Floor (Bot): 469.15'
 Overall Height: 8.333'
 Slack: 0.92"

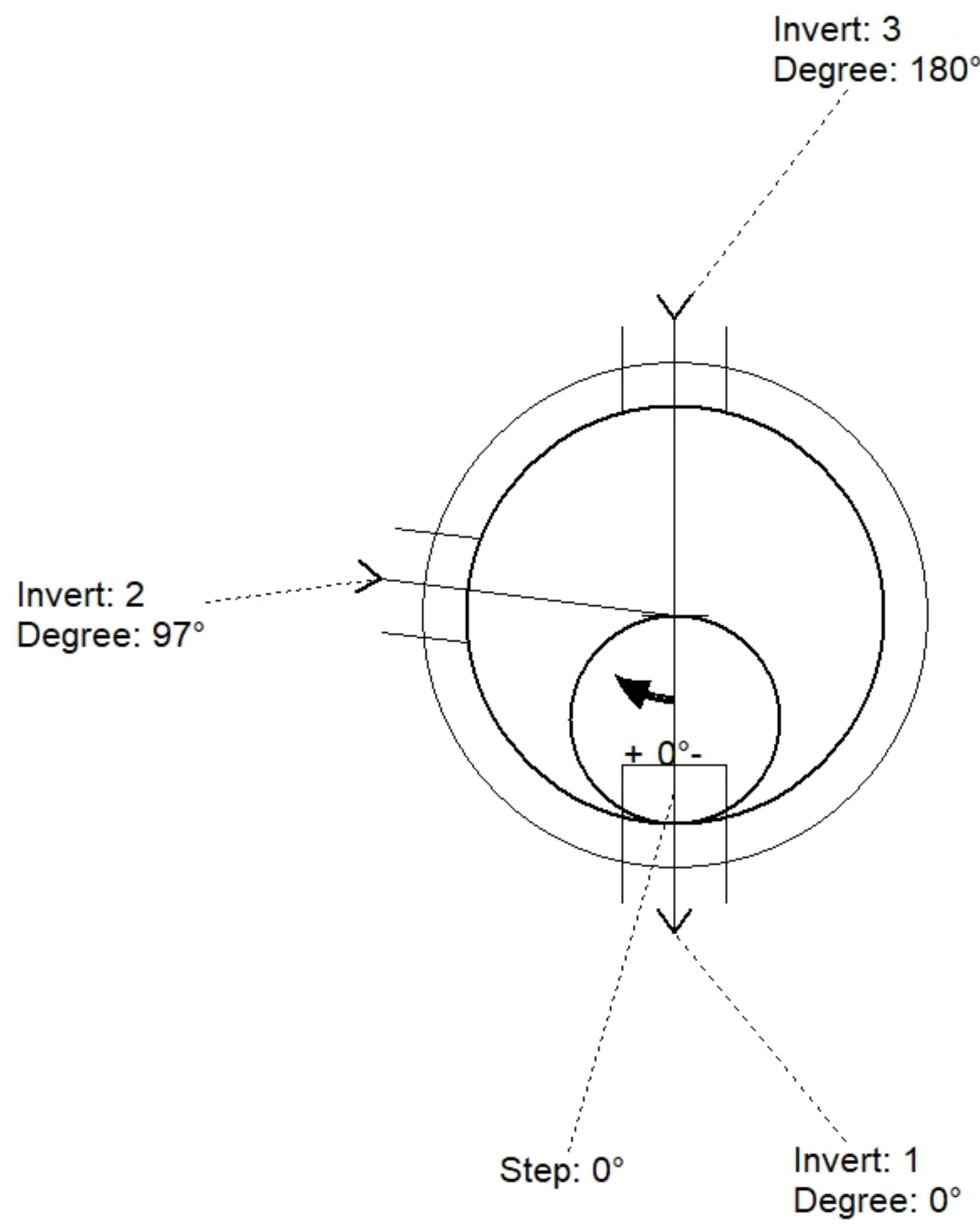
Structure Notes:

1. PER ASTM C478 SPECIFICATIONS.
2. CONCRETE = 4,000 PSI AT 28 DAYS.
3. CASTING BY OTHERS.

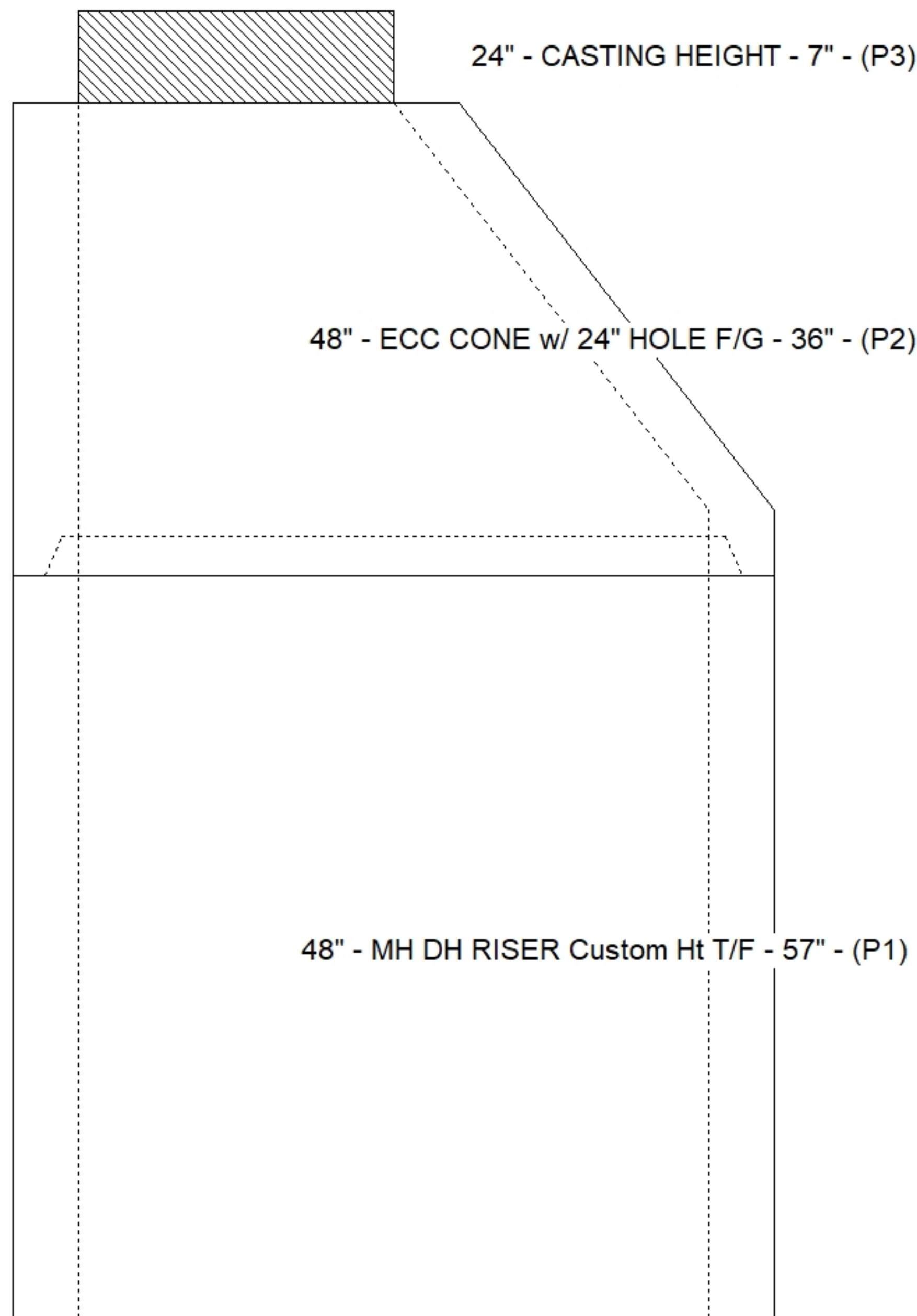
REINFORCING PER ASTM A615 (GRADE 60).
 - CONE (As .12)
 - RISER/WALLS (As .12)

STRUCTURE SUMMARY:

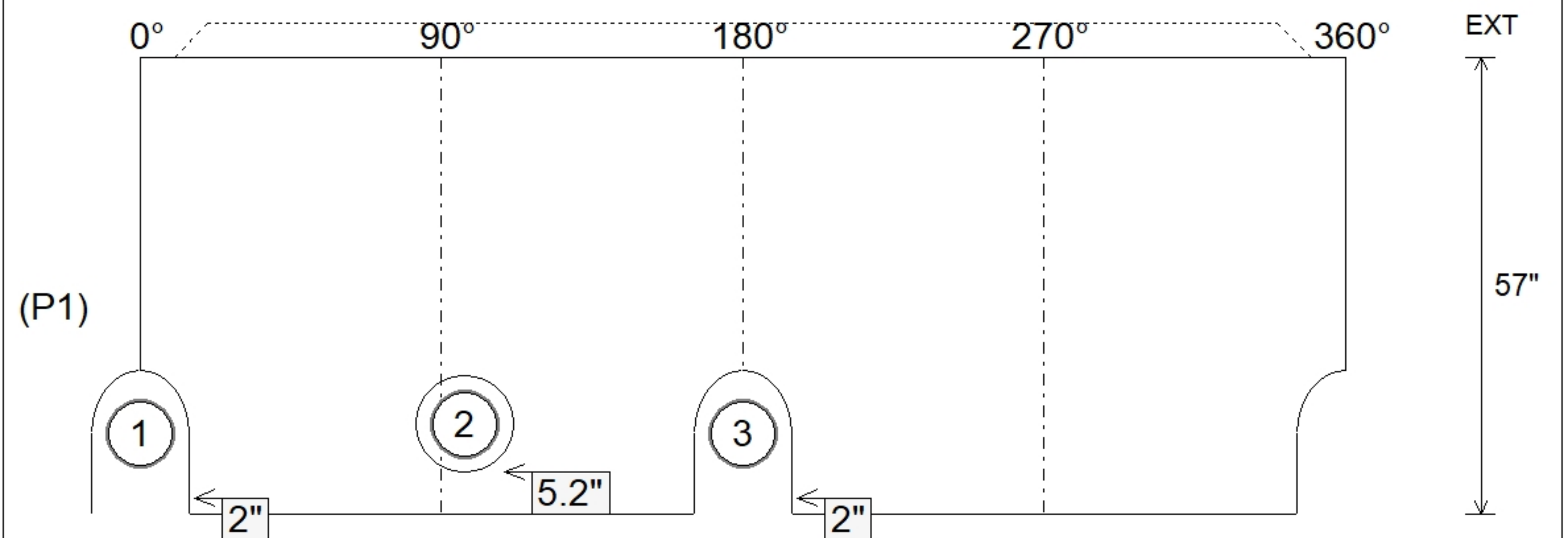
P3) 24" - CASTING HEIGHT - 7"	0 lb
P2) 48" - ECC CONE w/ 24" HOLE F/G - 36"	3000 lb
P1) 48" - MH DH RISER Custom Ht T/F - 57"	3769 lb
1) JOINT WRAP - 0.065"x6"x50' CONSEAL CS212	0 lb
1) JOINT WRAP PRIMER - CONSEAL CS-75 (1 gal.)	0 lb
1) 48" - Conseal CS-102 1.00" (Double)	0 lb
2) DOGHOUSE - 12"x16"	0 lb
1) PSX - 12-08 DD (DBL Bands)	8 lb
7) MH Step ML-10-TDS-NCR - 10"	0 lb
Structure Total:	6777 lb



Position	Elev	Angle	Pipe	Pipe OD	Hole	Connector	Up (")	Ref
Rim	477.56'							
Reducer								
Invert 1	469.65'	0°	8" PVC SDR35	8.5"	12" x 16"	DOGHOUSE 12"x16"	2"	P1
Invert 2	469.75'	97°	8" PVC SDR35	8.5"	12"	PSX 12-08 DD (DBL Bands)	5.2"	P1
Invert 3	469.65'	180°	8" PVC SDR35	8.5"	12" x 16"	DOGHOUSE 12"x16"	2"	P1
Invert 4								
Invert 5								
Invert 6								
Invert 7								
Invert 8								



Default - Interior Dimensions



Submittal Drawing
 4/24/2026 8:08:26 AM

SUBMITTAL
 APPROVED BY: