

**Structure ID: DMH1-28 SS-MHDH**

**P1 MH048DHVF**

**MH DH RISER Custom Ht T/F**

P3) 24" - CASTING HEIGHT - 7" P2) 48" - ECC CONE w/ 24" HOLE F/G - 36" P1) 48" - MH DH RISER Custom Ht T/F - 57" 1) JOINT WRAP - 0.065"x6"x50' CONSEAL CS212 1) JOINT WRAP PRIMER - CONSEAL CS-75 (1 gal.) 1) 48" - Conseal CS-102 1.00" (Double) 2) DOGHOUSE - 12"x16" 1) PSX - 12-08 DD (DBL Bands) 7) MH Step ML-10-TDS-NCR - 10"	0 lb 3000 lb 3769 lb 0 lb 0 lb 0 lb 0 lb 0 lb 8 lb 0 lb ----- Structure Total: 6777 lb
--	---

Structure Notes:  
 1. PER ASTM C478 SPECIFICATIONS.  
 2. CONCRETE = 4,000 PSI AT 28 DAYS.  
 3. CASTING BY OTHERS.

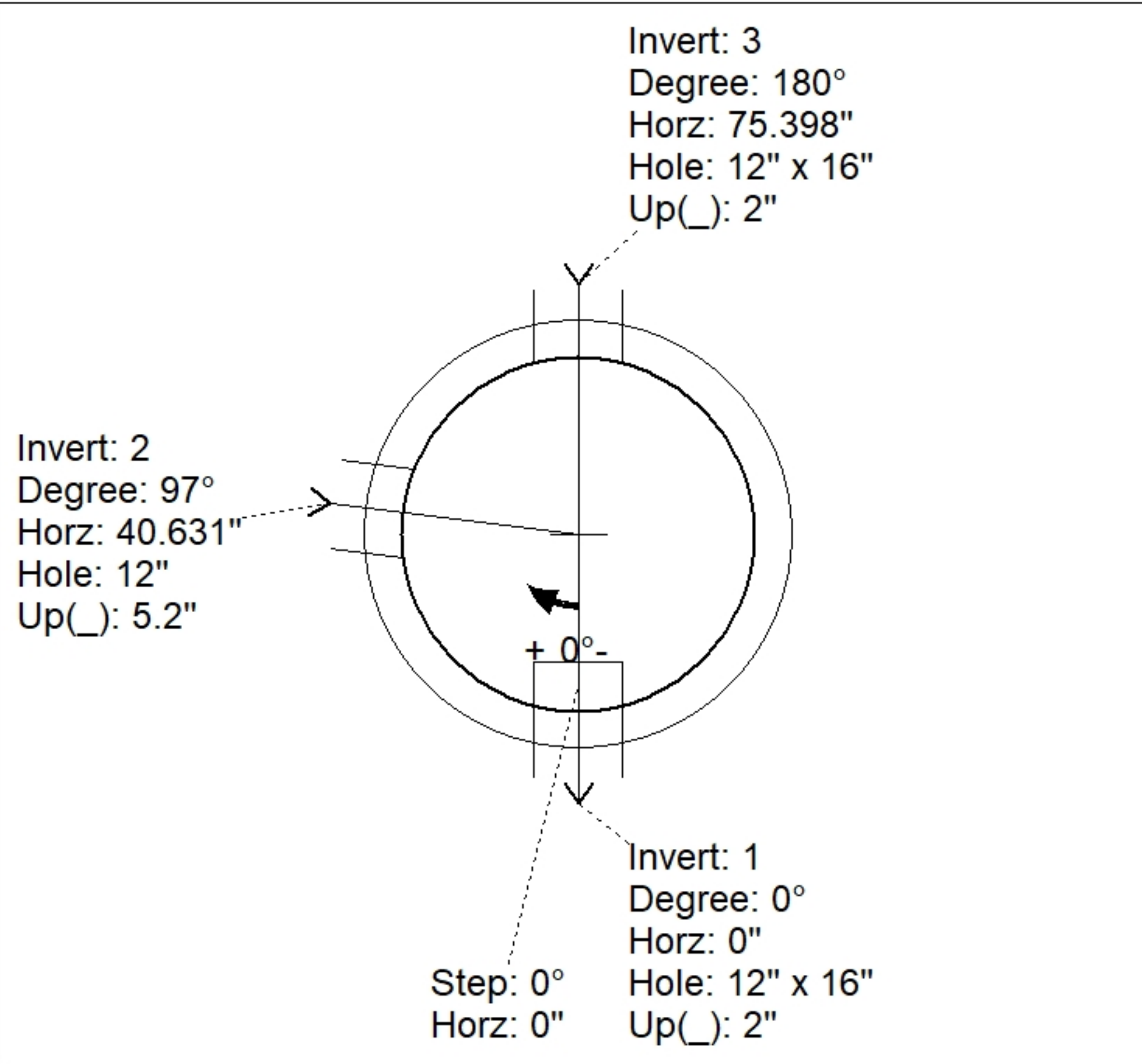
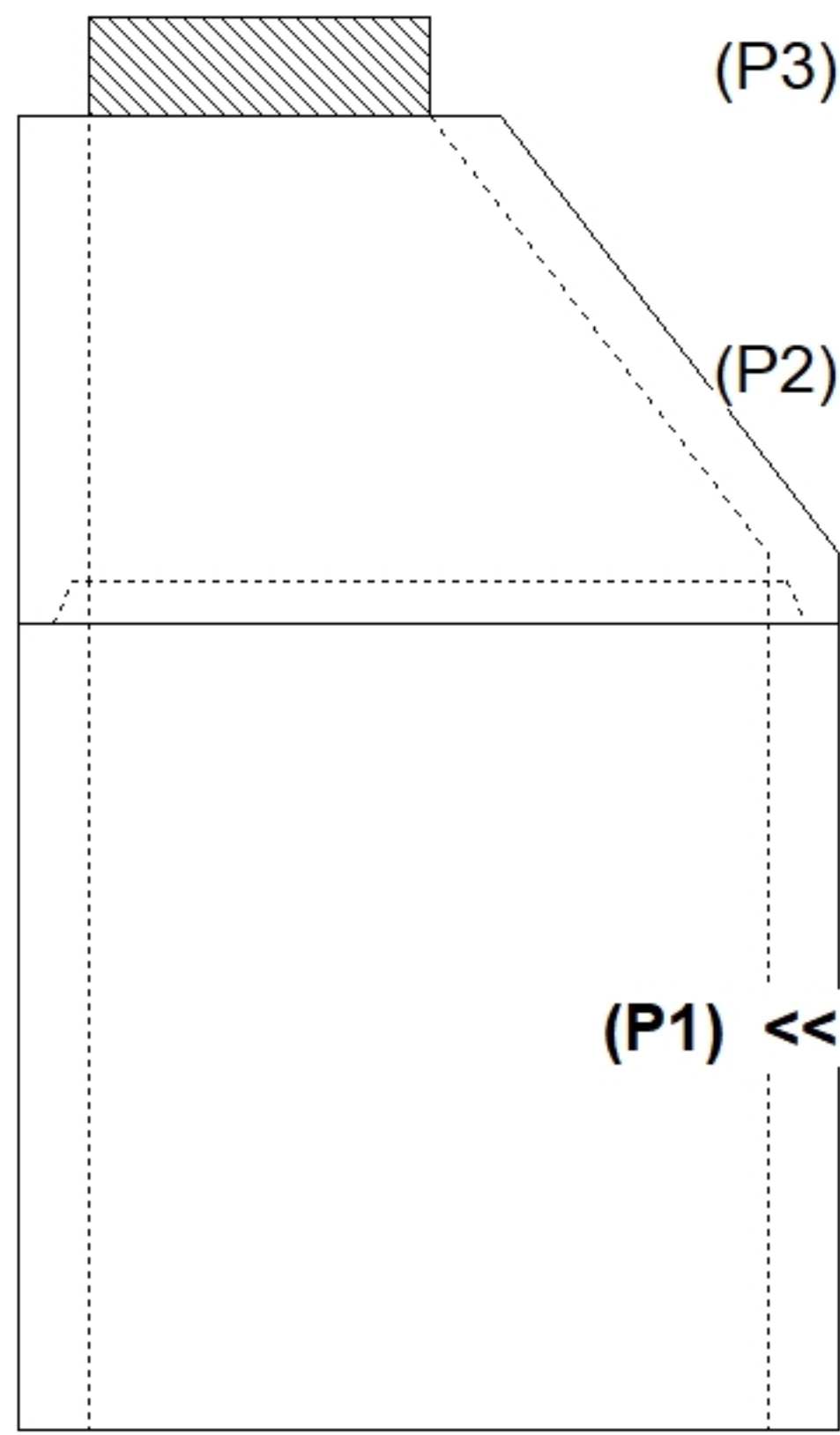
REINFORCING PER ASTM A615 (GRADE 60).  
 - CONE (As .12)  
 - RISER/WALLS (As .12)

Rim: 477.56'    Rim to Invert: 7.91'    Slack: 0.92"    Sump: 6"    Step Position: 0°

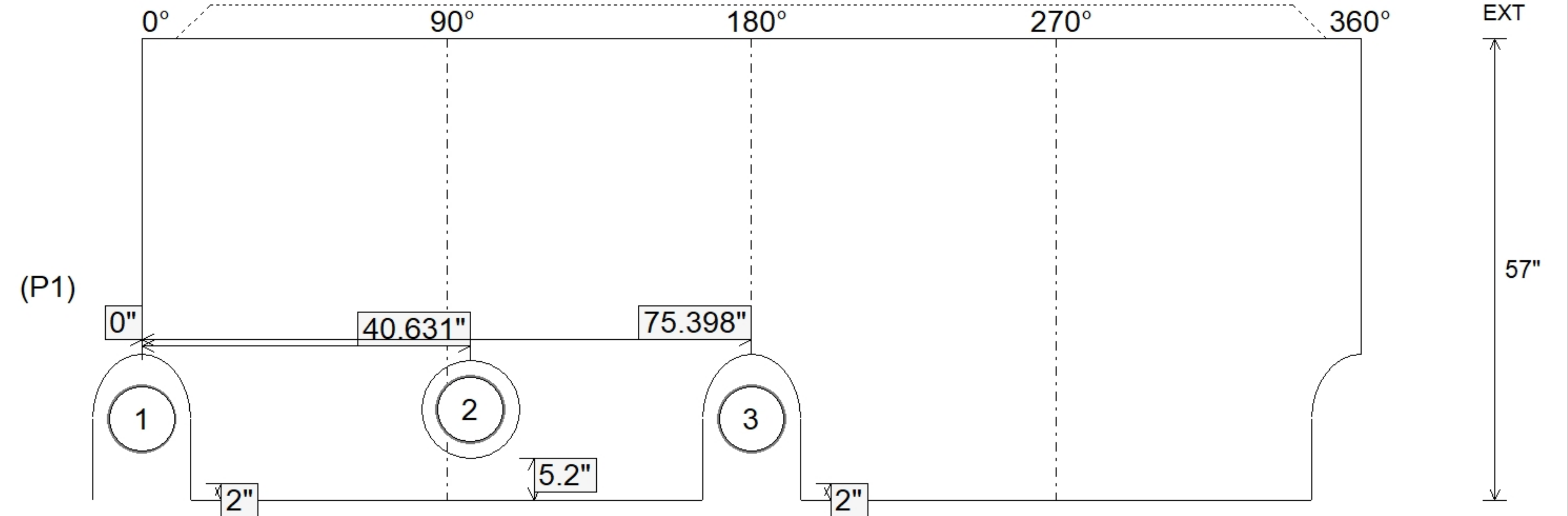
Position	Elev	Angle	Ext. (cw)	Pipe	Pipe OD	Connector	Hole	Horz Size	Up ( )	Offset
Invert 1	469.65'	0°	0"	8" PVC SDR35	8.5"	DOGHOUSE 12"x16"	12" x 16"	12.129"	2"	0"
Invert 2	469.75'	97°	49.096"	8" PVC SDR35	8.5"	PSX 12-08 DD (DBL Bands)	12"	12.129"	5.2"	0"
Invert 3	469.65'	180°	91.106"	8" PVC SDR35	8.5"	DOGHOUSE 12"x16"	12" x 16"	12.129"	2"	0"
Invert 4										
Invert 5										
Invert 6										
Invert 7										
Invert 8										

RIGHT-SIDE UP VIEW (int. dimensions)

UPSIDE-DOWN VIEW (int. dimensions)



INSIDE WALL DIMENSIONS



Coating (Int): Coating (Ext):	Seam Up: Tongue Seam Dn: Flat	Wall Thickness: 5" Floor Height: 0"	Height (Int): 57" Height (Ext): 57"	Weight (Net): 3769 lb Volume (Net): 0.96cu.yd
----------------------------------	----------------------------------	--	--	--