

| | | | |
|--|----------------------|--------------------|--|
| Job Name: 26-1210 Sacramento Gravity Sewer | Plant: Beaver Dam | Tech: S. Felletter |  |
| Job Location: Sacramento, KY Contractor: Scott & Ritter, Inc. | 4/24/2026 8:09:33 AM | PC: T. Lewis | |

Structure ID: CMH6-24 SS-MH

P2 MH048CN42

ECC CONE w/ 24" HOLE F/G

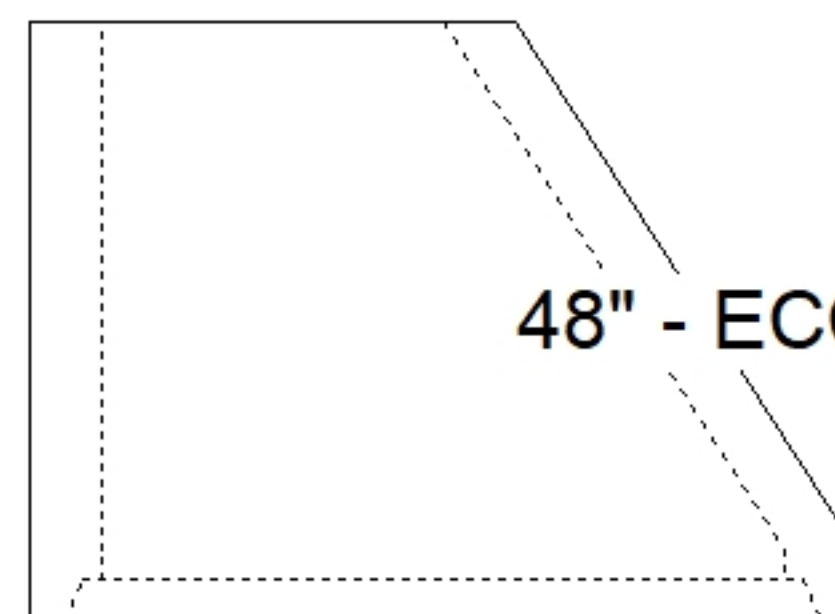
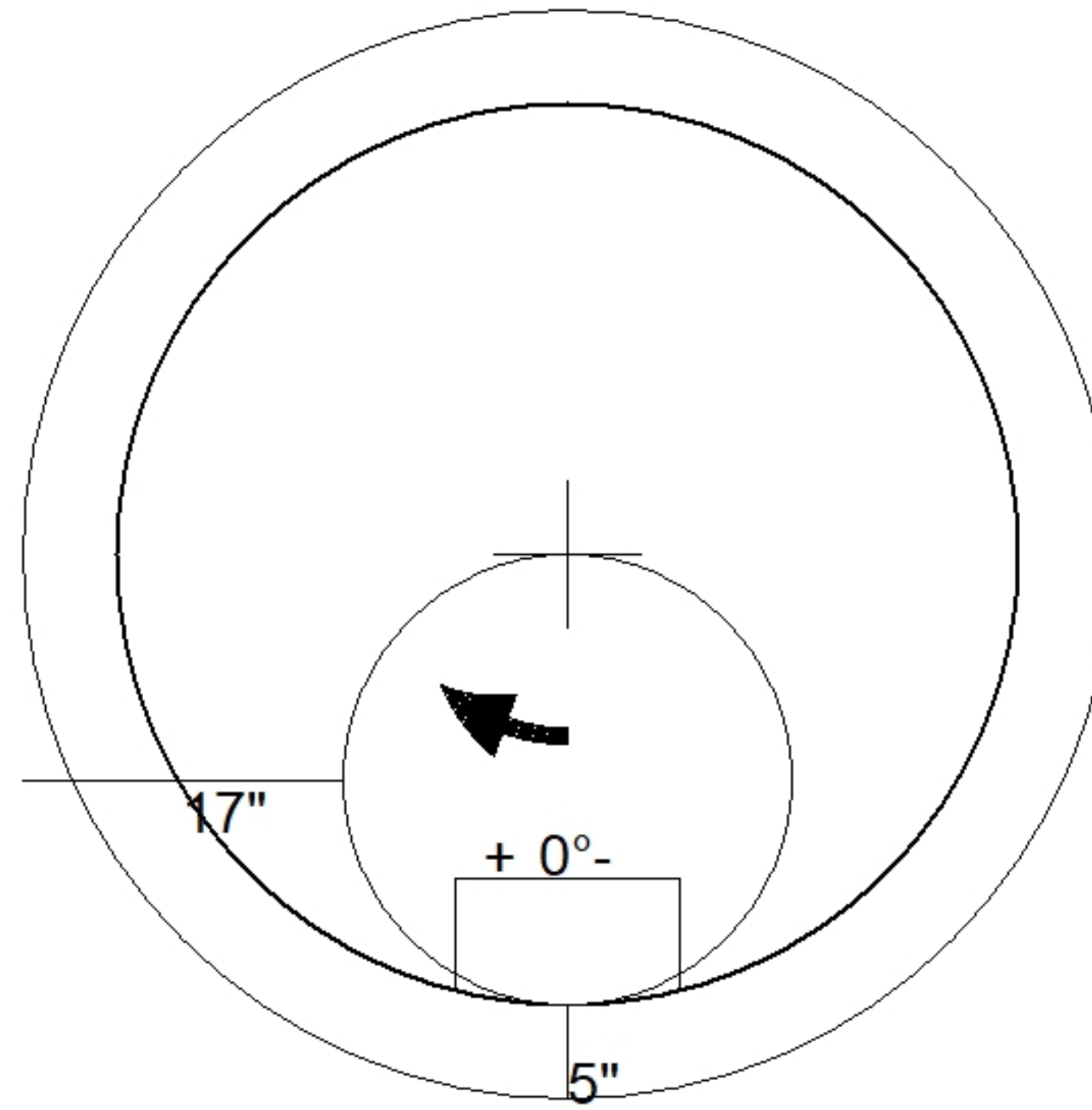
| | |
|---|----------------|
| P3) 24" - CASTING HEIGHT - 7" | 0 lb |
| P2) 48" - ECC CONE w/ 24" HOLE F/G - 42" | 3200 lb |
| P1) 48" - MH BASE T/n - 30" | 3282 lb |
| 1) JOINT WRAP - 0.065"x6"x50' CONSEAL CS212 | 0 lb |
| 1) JOINT WRAP PRIMER - CONSEAL CS-75 (1 gal.) | 0 lb |
| 1) 48" - MH INVERT CHANNEL - FULL HEIGHT | 1440 lb |
| 1) 48" - Conseal CS-102 1.00" (Double) | 0 lb |
| 3) PSX - 12-08 DD (DBL Bands) | 24 lb |
| 6) MH Step ML-10-TDS-NCR - 10" | 0 lb |
| Structure Total: | 7946 lb |

Structure Notes:

- PER ASTM C478 SPECIFICATIONS.
- CONCRETE = 4,000 PSI AT 28 DAYS.
- CASTING BY OTHERS.

REINFORCING PER ASTM A615 (GRADE 60).

- CONE (As .12)
- RISER/WALLS (As .12)
- FLOOR (As .31) #5 BARS AT 12" C.C.E.W.



48" - ECC CONE w/ 24" HOLE F/G - 42" - (P2)

| | | | | |
|----------------|-----------------|--------------------|-------------------|------------------------|
| Coating (Int): | Seam Up: Flat | Wall Thickness: 5" | Height (Ext): 42" | Weight (Net): 3200 lb |
| Coating (Ext): | Seam Dn: Groove | | | Volume (Net): 0.5cu.yd |