

Job Name: 26-1210 Sacramento Gravity Sewer
Job Location: Sacramento, KY
Contractor: Scott & Ritter, Inc.

PC: T. Lewis
 TECH: S. Felletter
 Plant: Beaver Dam



Structure ID: **CMH4-22 SS-MH**

Spec: Sanitary
 Type: SAN.MH
 Size: 48"

Rim: 496'
 Invert: 487.01'
 Rim to Invert: 8.99'

Sump: 2"
 Floor (Top): 486.843'
 Floor Height: 6"

Floor (Bot): 486.343'
 Overall Height: 9.583'
 Slack: 0.88"

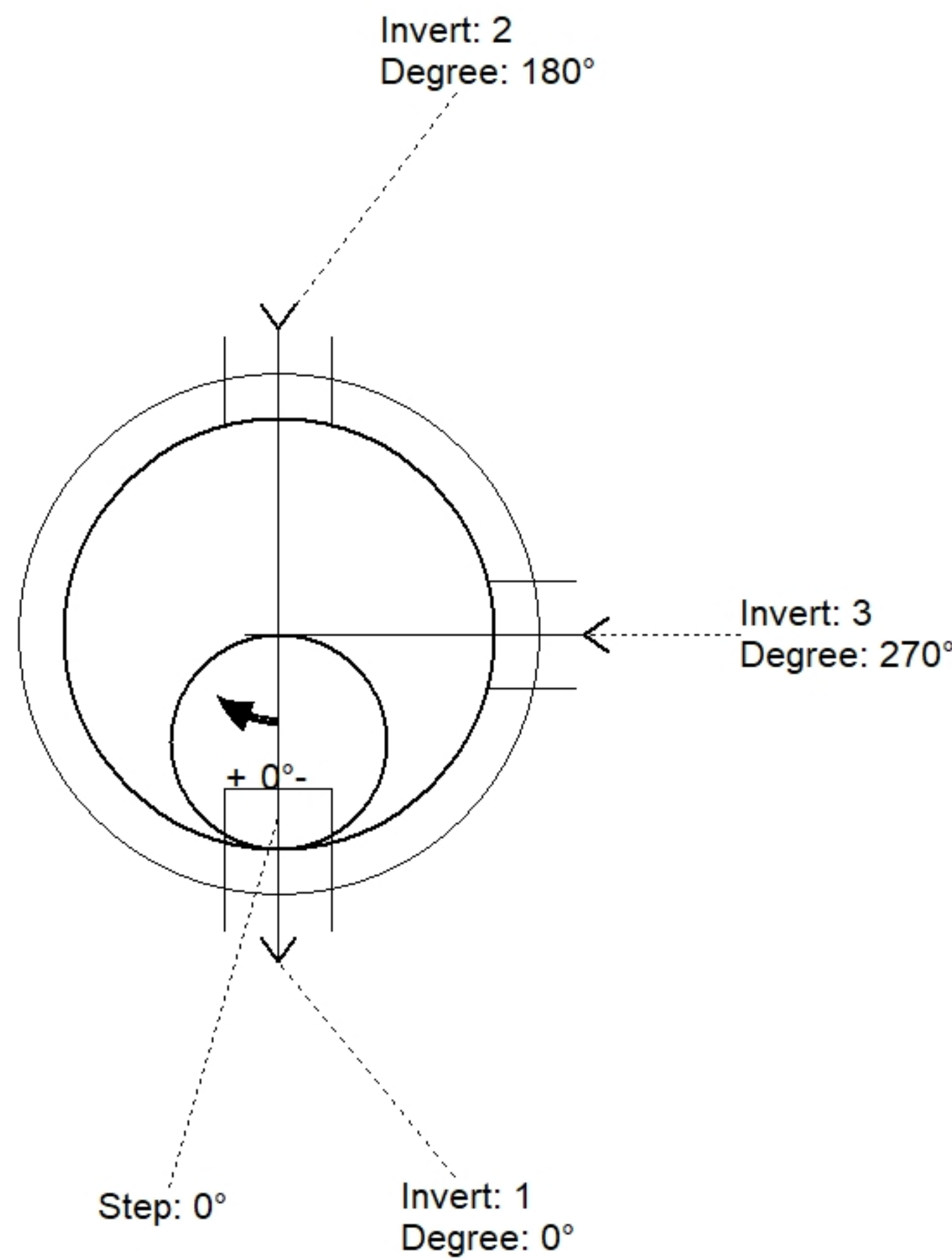
Structure Notes:

- PER ASTM C478 SPECIFICATIONS.
- CONCRETE = 4,000 PSI AT 28 DAYS.
- CASTING BY OTHERS.

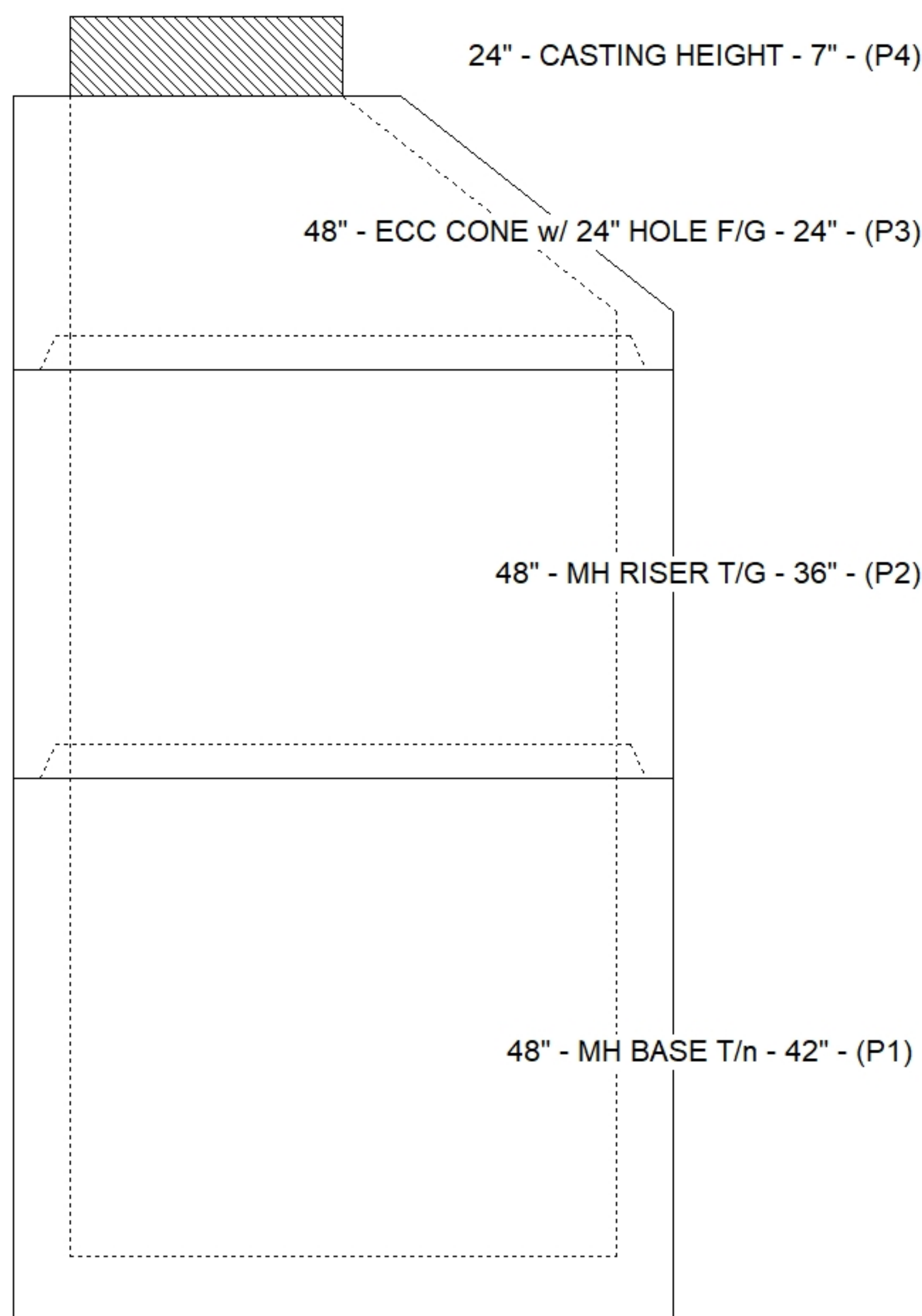
REINFORCING PER ASTM A615 (GRADE 60).
 - CONE (As .12)
 - RISER/WALLS (As .12)
 - FLOOR (As .31) #5 BARS AT 12" C.C.E.W.

STRUCTURE SUMMARY:

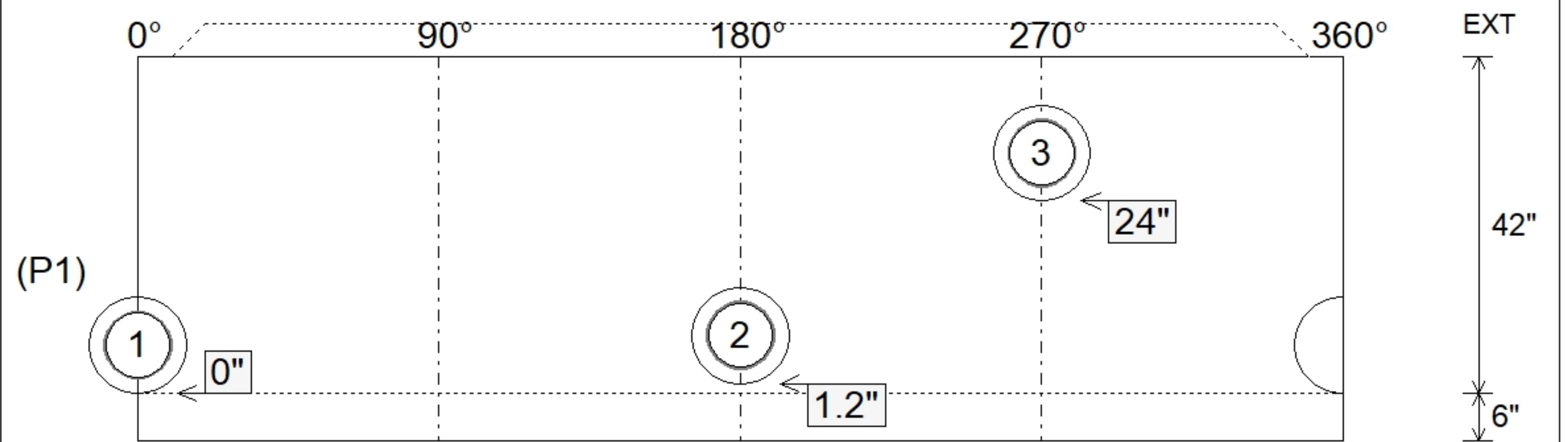
P4) 24" - CASTING HEIGHT - 7"	0 lb
P3) 48" - ECC CONE w/ 24" HOLE F/G - 24"	1550 lb
P2) 48" - MH RISER T/G - 36"	2515 lb
P1) 48" - MH BASE T/n - 42"	4121 lb
1) JOINT WRAP - 0.065"x6"x50' CONSEAL CS212	0 lb
1) JOINT WRAP PRIMER - CONSEAL CS-75 (1 gal.)	0 lb
1) 48" - MH INVERT CHANNEL - FULL HEIGHT	1440 lb
2) 48" - Conseal CS-102 1.00" (Double)	0 lb
3) PSX - 12-08 DD (DBL Bands)	24 lb
8) MH Step ML-10-TDS-NCR - 10"	0 lb
Structure Total:	9650 lb



Position	Elev	Angle	Pipe	Pipe OD	Hole	Connector	Up (")	Ref
Rim	496'							
Reducer								
Invert 1	487.01'	0°	8" PVC SDR35	8.5"	12"	PSX 12-08 DD (DBL Bands)	0"	P1
Invert 2	487.11'	180°	8" PVC SDR35	8.5"	12"	PSX 12-08 DD (DBL Bands)	1.2"	P1
Invert 3	489.01'	270°	8" PVC SDR35	8.5"	12"	PSX 12-08 DD (DBL Bands)	24"	P1
Invert 4								
Invert 5								
Invert 6								
Invert 7								
Invert 8								



Default - Interior Dimensions



Submittal Drawing
 4/24/2026 8:08:24 AM

SUBMITTAL
 APPROVED BY: