


|  |                      |                    |  |
|--|----------------------|--------------------|--|
| Job Name: 26-1210 Sacramento Gravity Sewer                       | Plant: Beaver Dam    | Tech: S. Felletter |  |
| Job Location: Sacramento, KY<br>Contractor: Scott & Ritter, Inc. | 4/24/2026 8:09:31 AM | PC: T. Lewis       |  |

**Structure ID: BMH6-17 SS-MH**

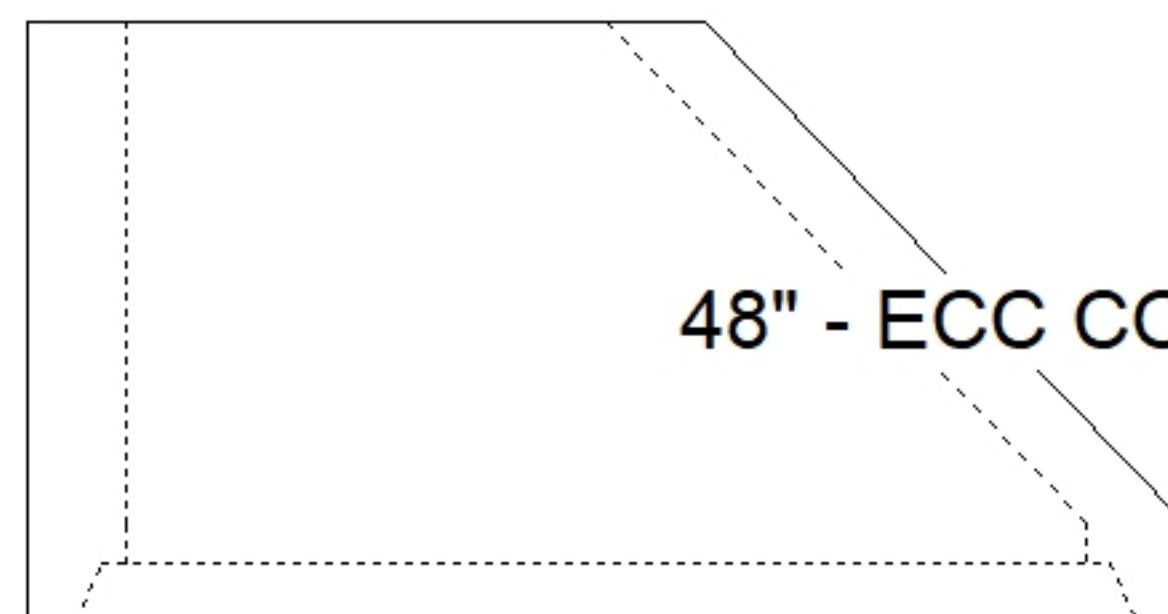
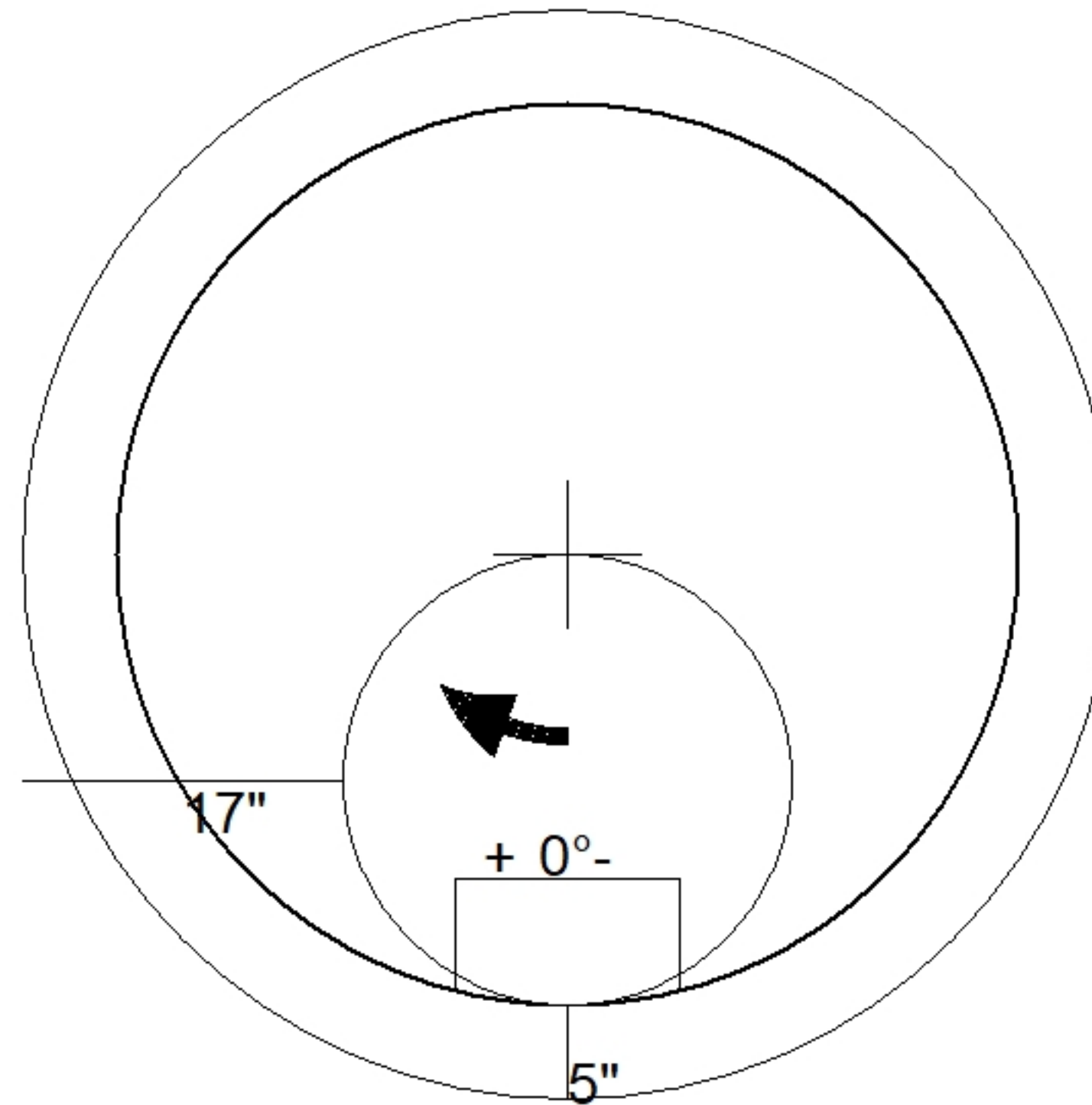
**P3 MH048CN30**

**ECC CONE w/ 24" HOLE F/G**

|   |         |
|---|---------|
| P4) 24" - CASTING HEIGHT - 7"                 | 0 lb    |
| P3) 48" - ECC CONE w/ 24" HOLE F/G - 30"      | 2050 lb |
| P2) 48" - MH RISER T/G - 36"                  | 2515 lb |
| P1) 48" - MH BASE T/n - 24"                   | 2911 lb |
| 1) JOINT WRAP - 0.065"x6"x50' CONSEAL CS212   | 0 lb    |
| 1) JOINT WRAP PRIMER - CONSEAL CS-75 (1 gal.) | 0 lb    |
| 1) 48" - MH INVERT CHANNEL - FULL HEIGHT      | 1440 lb |
| 2) 48" - Conseal CS-102 1.00" (Double)        | 0 lb    |
| 2) PSX - 12-08 DD (DBL Bands)                 | 16 lb   |
| 7) MH Step ML-10-TDS-NCR - 10"                | 0 lb    |
| Structure Total:                              | 8932 lb |

Structure Notes:  
 1. PER ASTM C478 SPECIFICATIONS.  
 2. CONCRETE = 4,000 PSI AT 28 DAYS.  
 3. CASTING BY OTHERS.

REINFORCING PER ASTM A615 (GRADE 60).  
 - CONE (As .12)  
 - RISER/WALLS (As .12)  
 - FLOOR (As .31) #5 BARS AT 12" C.C.E.W.



48" - ECC CONE w/ 24" HOLE F/G - 30" - (P3)

|                                  |                                  |                    |                   |  |
|----------------------------------|----------------------------------|--------------------|-------------------|--|
| Coating (Int):<br>Coating (Ext): | Seam Up: Flat<br>Seam Dn: Groove | Wall Thickness: 5" | Height (Ext): 30" | Weight (Net): 2050 lb<br>Volume (Net): 0.41cu.yd |
|----------------------------------|----------------------------------|--------------------|-------------------|--|