

**Job Name: 26-1210 Sacramento Gravity Sewer**  
**Job Location: Sacramento, KY**  
**Contractor: Scott & Ritter, Inc.**

PC: T. Lewis  
 TECH: S. Felletter  
 Plant: Beaver Dam



Structure ID: **BMH3-14 SS-MH**

Spec: Sanitary  
 Type: SAN.MH  
 Size: 48"

Rim: 493.1'  
 Invert: 483.9'  
 Rim to Invert: 9.2'

Sump: 2"  
 Floor (Top): 483.733'  
 Floor Height: 6"

Floor (Bot): 483.233'  
 Overall Height: 9.833'  
 Slack: 0.4"

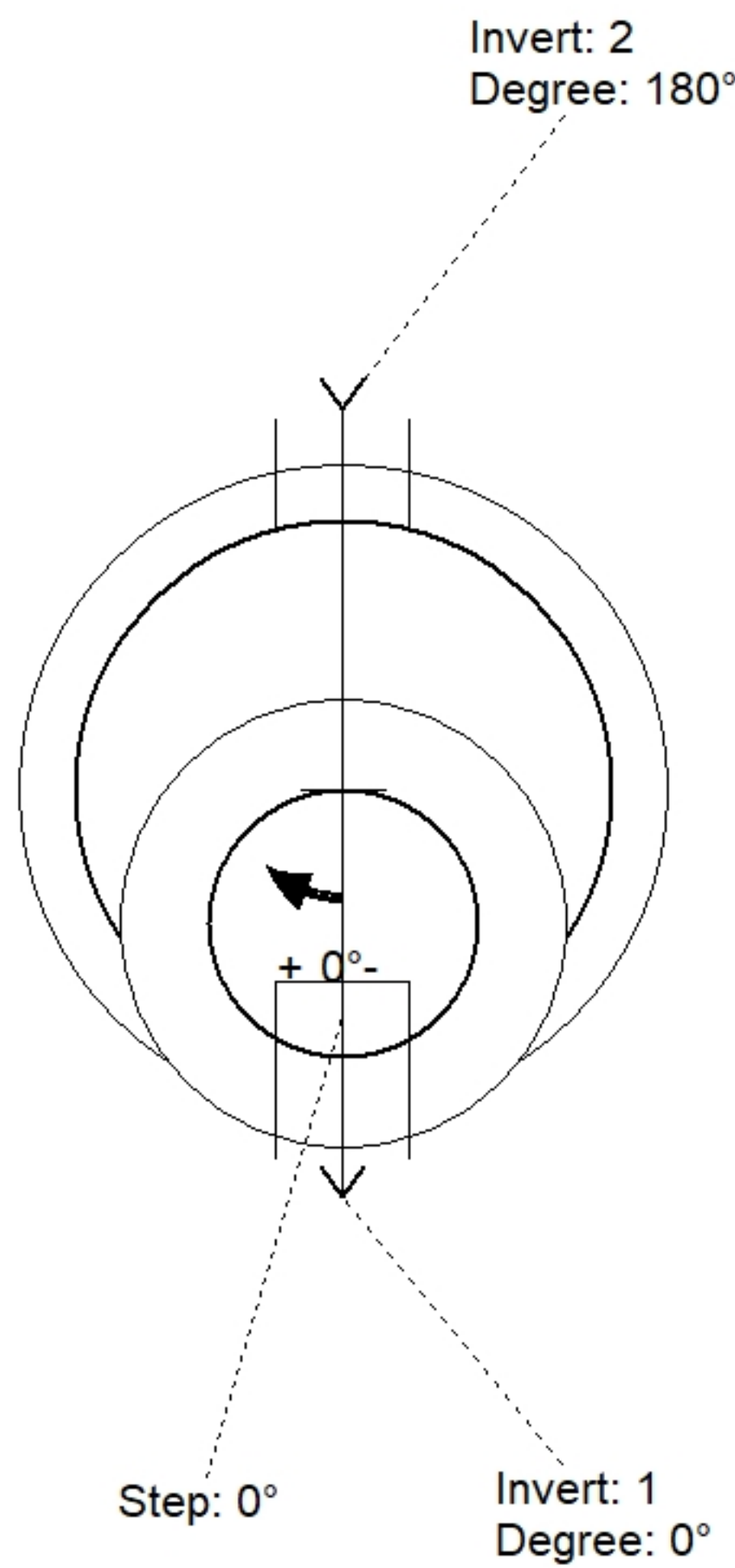
**Structure Notes:**

1. PER ASTM C478 SPECIFICATIONS.
2. CONCRETE = 4,000 PSI AT 28 DAYS.
3. CASTING BY OTHERS.

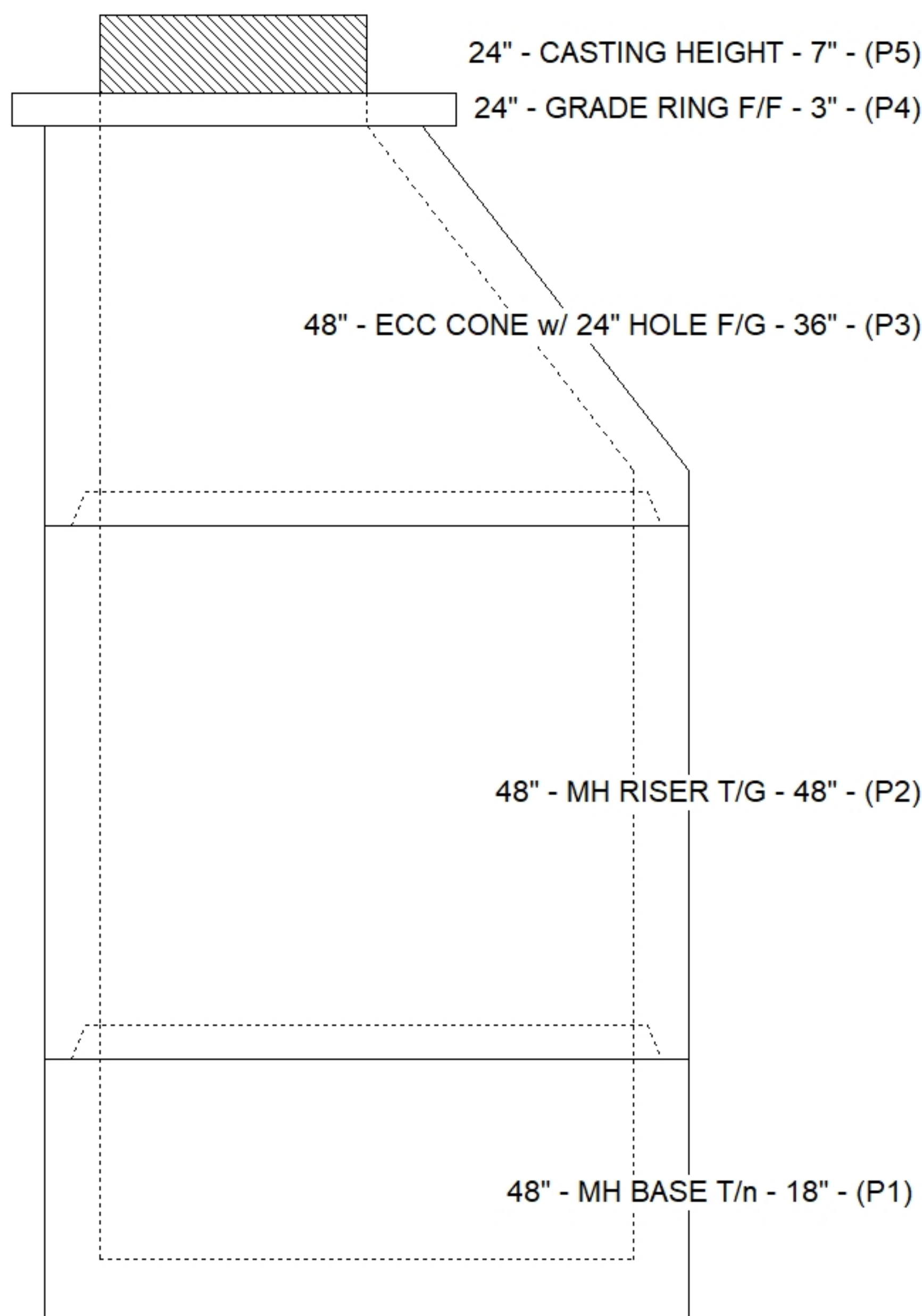
REINFORCING PER ASTM A615 (GRADE 60).  
 - CONE (As .12)  
 - RISER/WALLS (As .12)  
 - FLOOR (As .31) #5 BARS AT 12" C.C.E.W.

**STRUCTURE SUMMARY:**

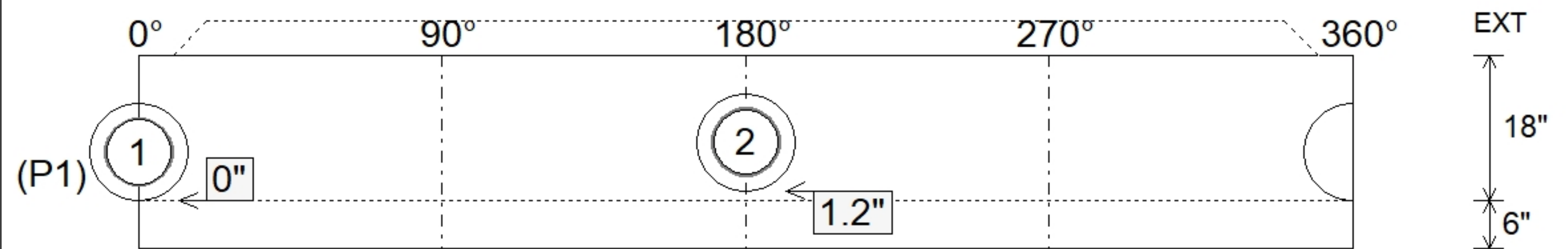
P5) 24" - CASTING HEIGHT - 7"	0 lb
P4) 24" - GRADE RING F/F - 3"	202 lb
P3) 48" - ECC CONE w/ 24" HOLE F/G - 36"	3000 lb
P2) 48" - MH RISER T/G - 48"	3353 lb
P1) 48" - MH BASE T/n - 18"	2492 lb
1) JOINT WRAP - 0.065"x6"x50' CONSEAL CS212	0 lb
1) JOINT WRAP PRIMER - CONSEAL CS-75 (1 gal.)	0 lb
1) 48" - MH INVERT CHANNEL - FULL HEIGHT	1440 lb
2) 48" - Conseal CS-102 1.00" (Double)	0 lb
2) PSX - 12-08 DD (DBL Bands)	16 lb
8) MH Step ML-10-TDS-NCR - 10"	0 lb
<b>Structure Total:</b>	<b>10504 lb</b>



Position	Elev	Angle	Pipe	Pipe OD	Hole	Connector	Up (")	Ref
Rim	493.1'							
Reducer								
Invert 1	483.9'	0°	8" PVC SDR35	8.5"	12"	PSX 12-08 DD (DBL Bands)	0"	P1
Invert 2	484'	180°	8" PVC SDR35	8.5"	12"	PSX 12-08 DD (DBL Bands)	1.2"	P1
Invert 3								
Invert 4								
Invert 5								
Invert 6								
Invert 7								
Invert 8								



**Default - Interior Dimensions**



Submittal Drawing  
 4/24/2026 8:08:22 AM

SUBMITTAL  
 APPROVED BY: