

**Job Name: 26-1210 Sacramento Gravity Sewer**  
**Job Location: Sacramento, KY**  
**Contractor: Scott & Ritter, Inc.**

PC: T. Lewis  
 TECH: S. Felletter  
 Plant: Beaver Dam



Structure ID: **BMH1-12 SS-MHDH**

Spec: Sanitary  
 Type: DH Manhole  
 Size: 48"

Rim: 480.49'  
 Invert: 476.5'  
 Rim to Invert: 3.99'

Sump: 6"  
 Floor (Top): 476'  
 Floor Height: 0"

Floor (Bot): 476'  
 Overall Height: 4.417'  
 Slack: 0.88"

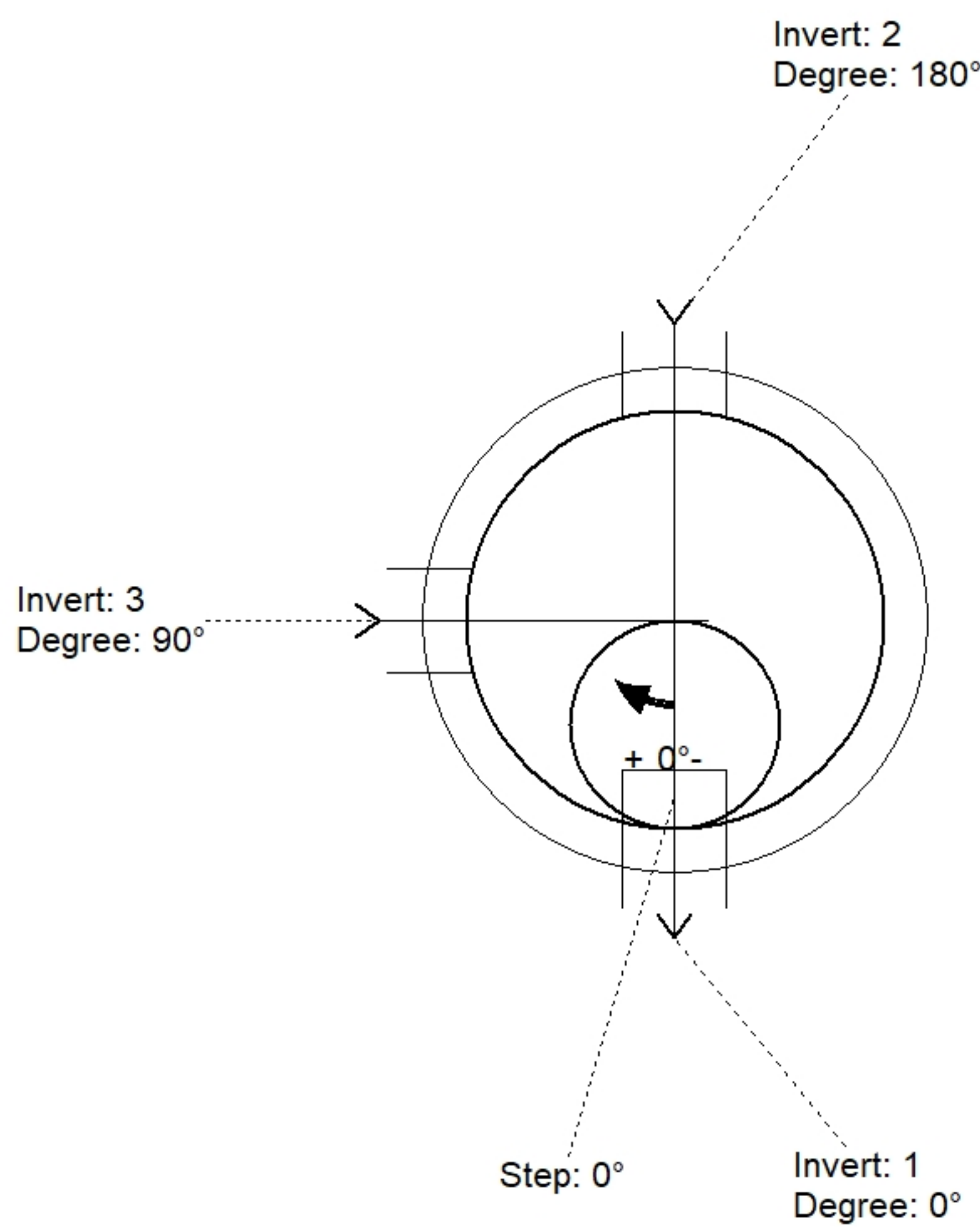
**Structure Notes:**

1. PER ASTM C478 SPECIFICATIONS.
2. CONCRETE = 4,000 PSI AT 28 DAYS.
3. CASTING BY OTHERS.

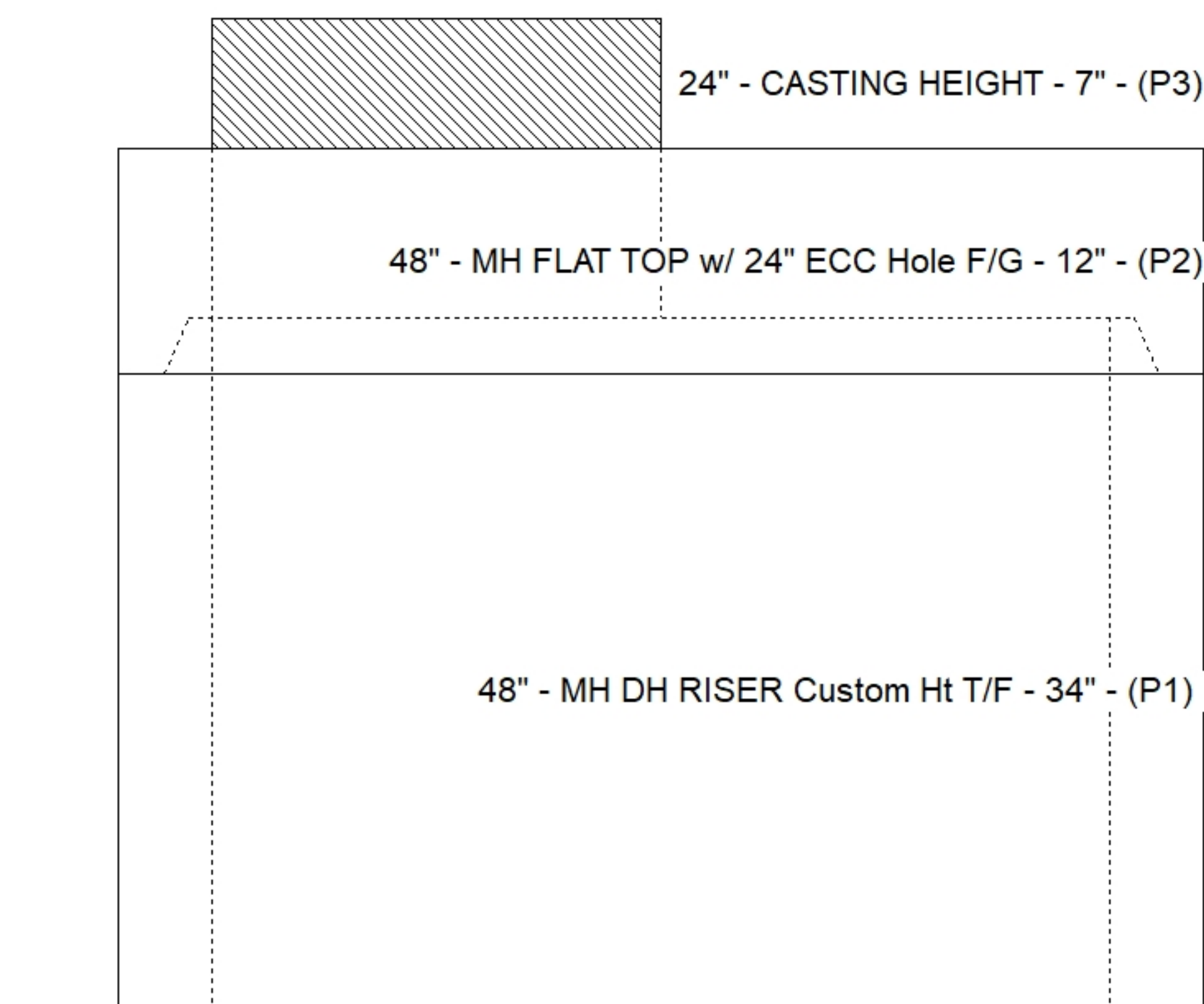
REINFORCING PER ASTM A615 (GRADE 60).  
 - TOP SLAB (As .62) #5 BARS AT 6" C.C.E.W..  
 - RISER/WALLS (As .12)

**STRUCTURE SUMMARY:**

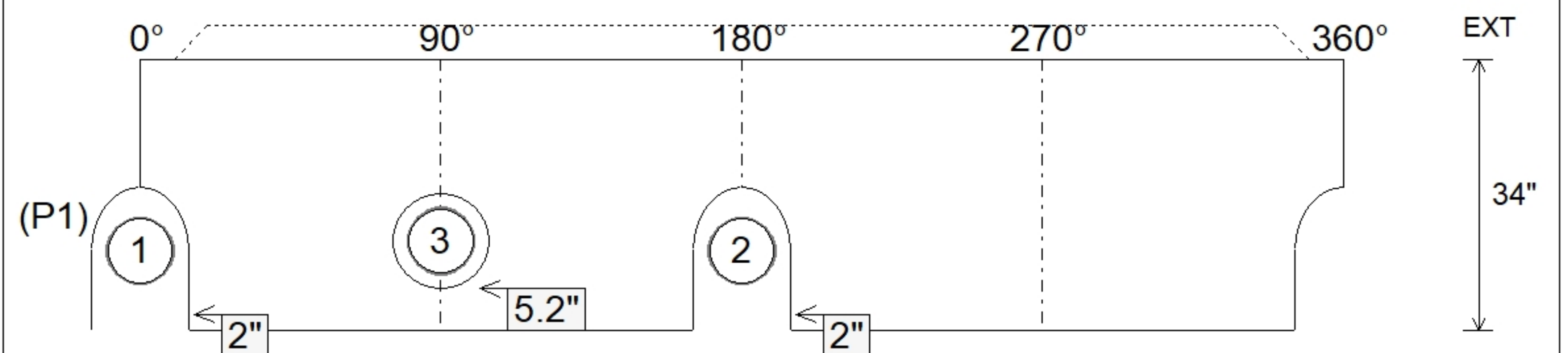
P3) 24" - CASTING HEIGHT - 7"	0 lb
P2) 48" - MH FLAT TOP w/ 24" ECC Hole F/G - 12"	1561 lb
P1) 48" - MH DH RISER Custom Ht T/F - 34"	2162 lb
1) JOINT WRAP - 0.065"x6"x50' CONSEAL CS212	0 lb
1) JOINT WRAP PRIMER - CONSEAL CS-75 (1 gal.)	0 lb
1) 48" - Conseal CS-102 1.00" (Double)	0 lb
2) DOGHOUSE - 12"x16"	0 lb
1) PSX - 12-08 DD (DBL Bands)	8 lb
<b>Structure Total:</b>	<b>3731 lb</b>



Position	Elev	Angle	Pipe	Pipe OD	Hole	Connector	Up (")	Ref
Rim	480.49'							
Reducer								
Invert 1	476.5'	0°	8" PVC SDR35	8.5"	12" x 16"	DOGHOUSE 12"x16"	2"	P1
Invert 2	476.5'	180°	8" PVC SDR35	8.5"	12" x 16"	DOGHOUSE 12"x16"	2"	P1
Invert 3	476.6'	90°	8" PVC SDR35	8.5"	12"	PSX 12-08 DD (DBL Bands)	5.2"	P1
Invert 4								
Invert 5								
Invert 6								
Invert 7								
Invert 8								



**Default - Interior Dimensions**



Submittal Drawing  
 4/24/2026 8:08:20 AM

SUBMITTAL  
 APPROVED BY: