

**Structure ID: BMH1-12 SS-MHDH**

**P1 MH048DHVF**

**MH DH RISER Custom Ht T/F**

P3) 24" - CASTING HEIGHT - 7" P2) 48" - MH FLAT TOP w/ 24" ECC Hole F/G - 12" P1) 48" - MH DH RISER Custom Ht T/F - 34" 1) JOINT WRAP - 0.065"x6"x50' CONSEAL CS212 1) JOINT WRAP PRIMER - CONSEAL CS-75 (1 gal.) 1) 48" - Conseal CS-102 1.00" (Double) 2) DOGHOUSE - 12"x16" 1) PSX - 12-08 DD (DBL Bands)	0 lb 1561 lb 2162 lb 0 lb 0 lb 0 lb 0 lb 8 lb <hr style="width: 50px; margin-left: 0;"/> Structure Total: 3731 lb
---	---

**Structure Notes:**  
 1. PER ASTM C478 SPECIFICATIONS.  
 2. CONCRETE = 4,000 PSI AT 28 DAYS.  
 3. CASTING BY OTHERS.

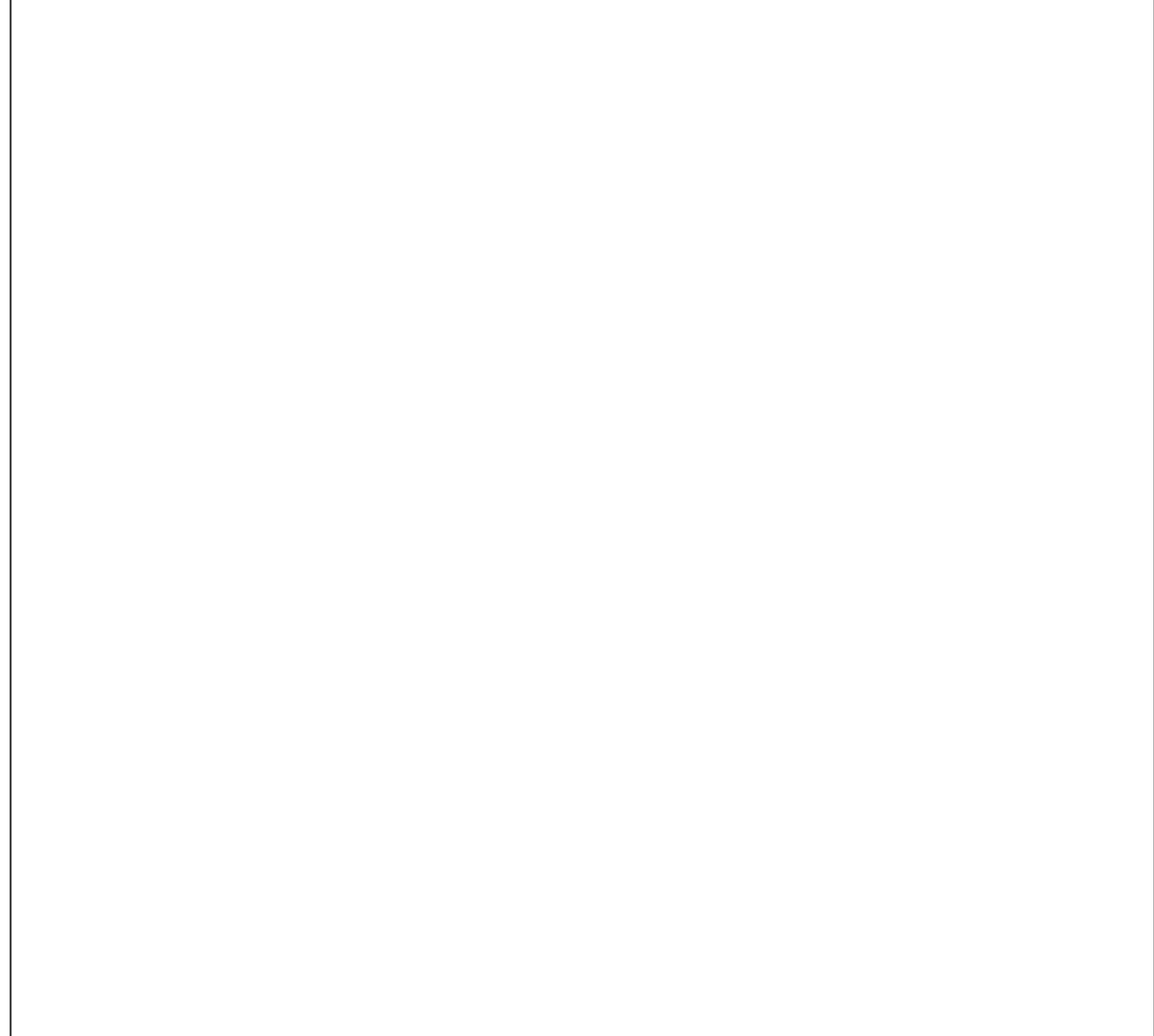
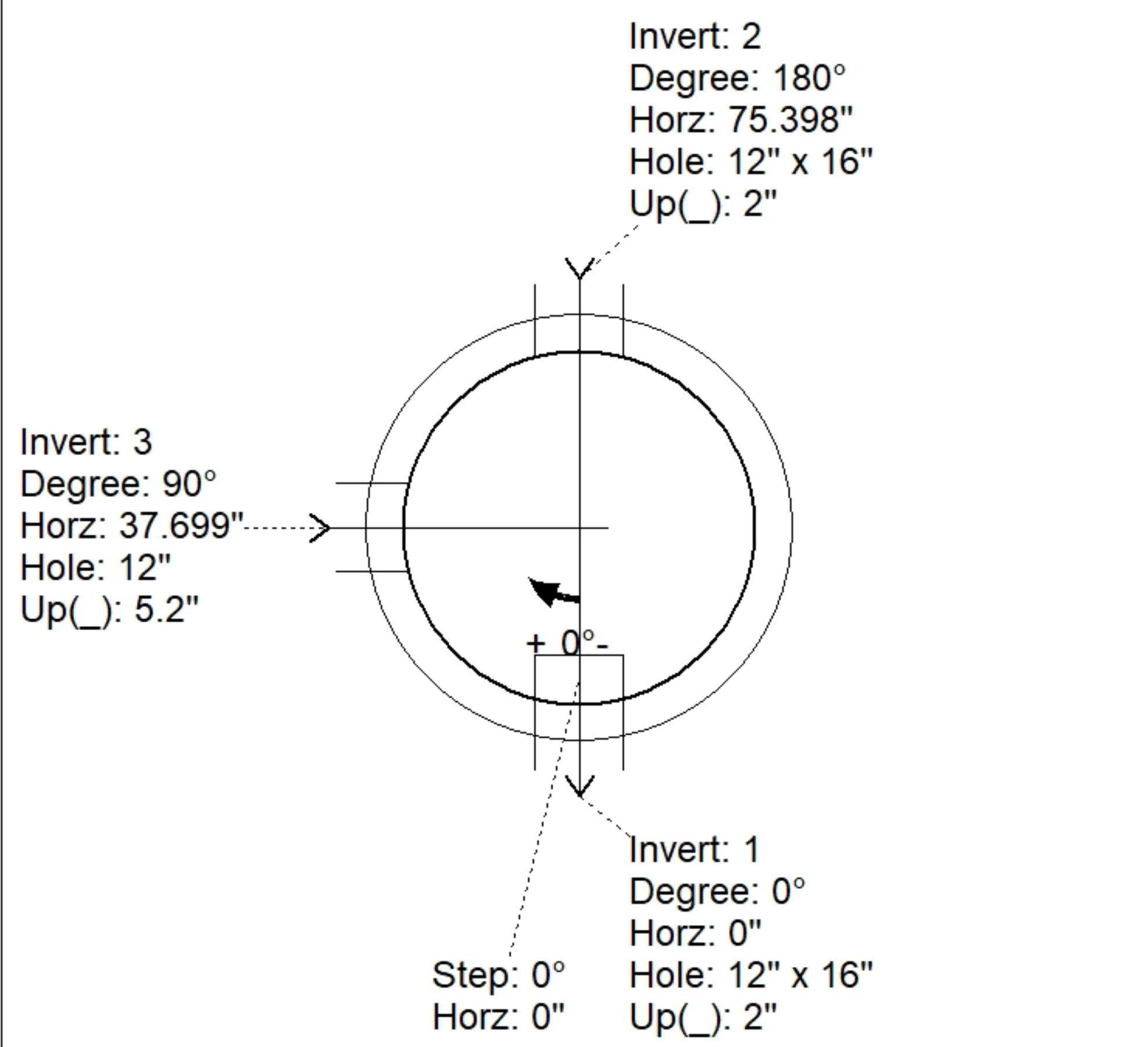
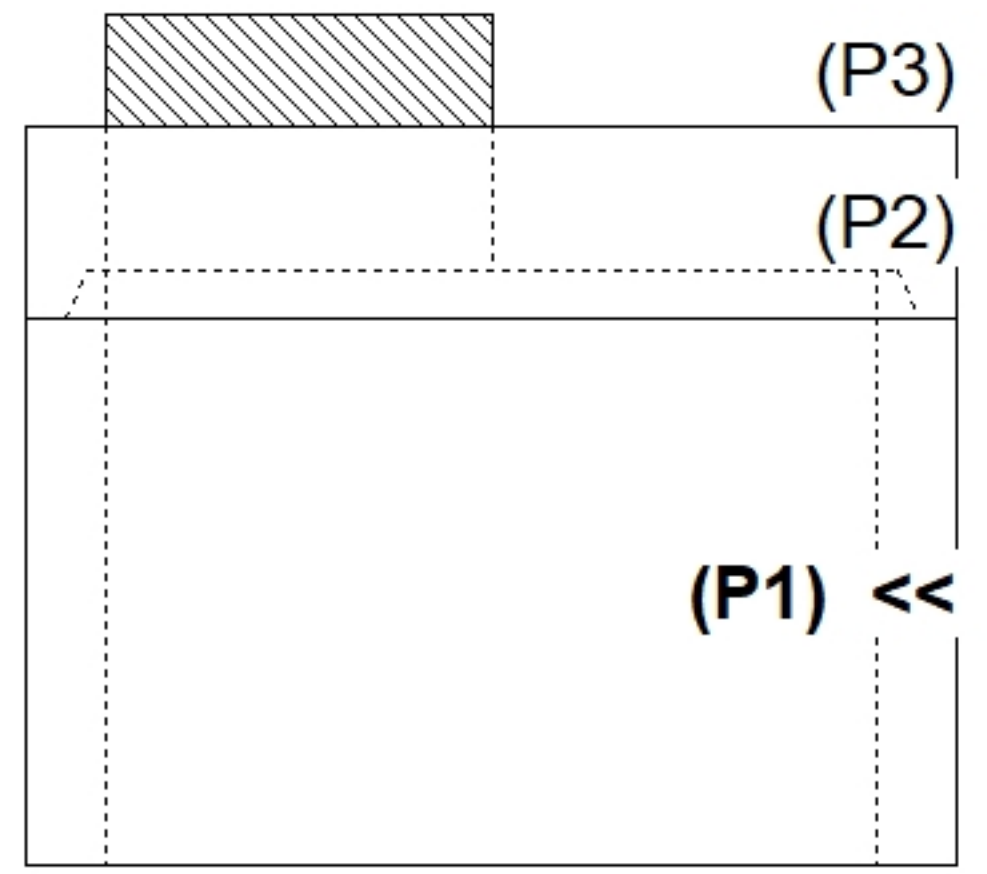
REINFORCING PER ASTM A615 (GRADE 60).  
 - TOP SLAB (As .62) #5 BARS AT 6" C.C.E.W..  
 - RISER/WALLS (As .12)

Rim: 480.49'    Rim to Invert: 3.99'    Slack: 0.88"    Sump: 6"    Step Position: 0°

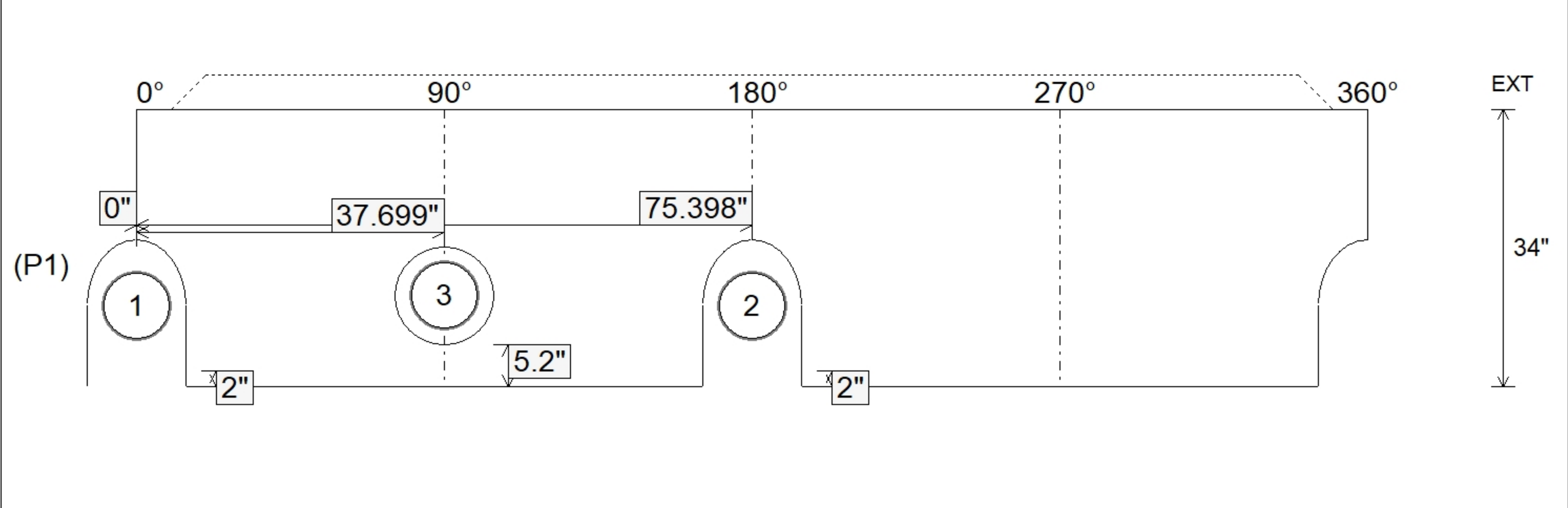
Position	Elev	Angle	Ext. (cw)	Pipe	Pipe OD	Connector	Hole	Horz Size	Up ( )	Offset
Invert 1	476.5'	0°	0"	8" PVC SDR35	8.5"	DOGHOUSE 12"x16"	12" x 16"	12.129"	2"	0"
Invert 2	476.5'	180°	91.106"	8" PVC SDR35	8.5"	DOGHOUSE 12"x16"	12" x 16"	12.129"	2"	0"
Invert 3	476.6'	90°	45.553"	8" PVC SDR35	8.5"	PSX 12-08 DD (DBL Bands)	12"	12.129"	5.2"	0"
Invert 4										
Invert 5										
Invert 6										
Invert 7										
Invert 8										

RIGHT-SIDE UP VIEW (int. dimensions)

UPSIDE-DOWN VIEW (int. dimensions)



INSIDE WALL DIMENSIONS



Coating (Int): Coating (Ext):	Seam Up: Tongue Seam Dn: Flat	Wall Thickness: 5" Floor Height: 0"	Height (Int): 34" Height (Ext): 34"	Weight (Net): 2162 lb Volume (Net): 0.55cu.yd
----------------------------------	----------------------------------	--	--	--